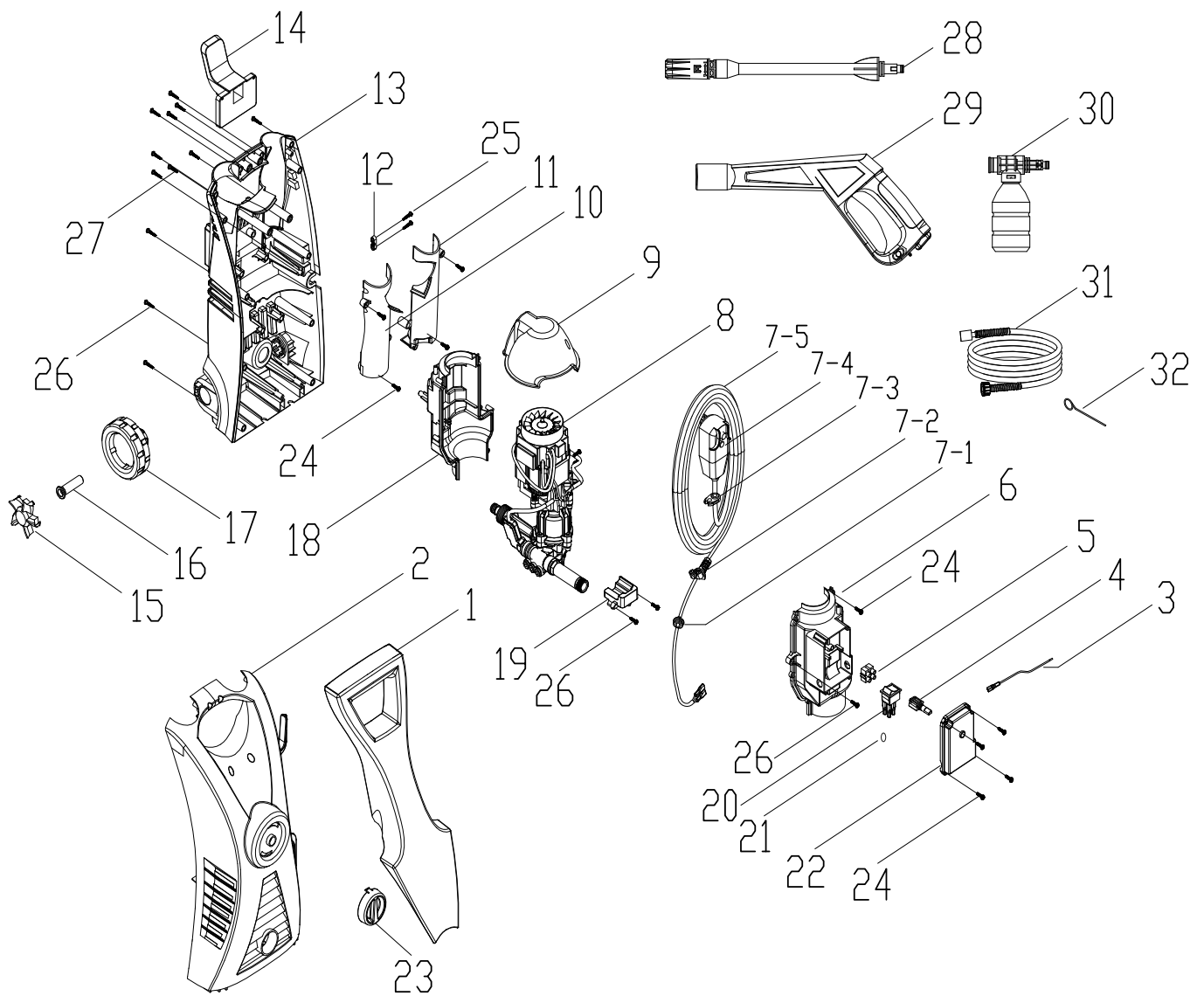


Assembly Diagram



SAFETY

SETUP

OPERATION

MAINTENANCE