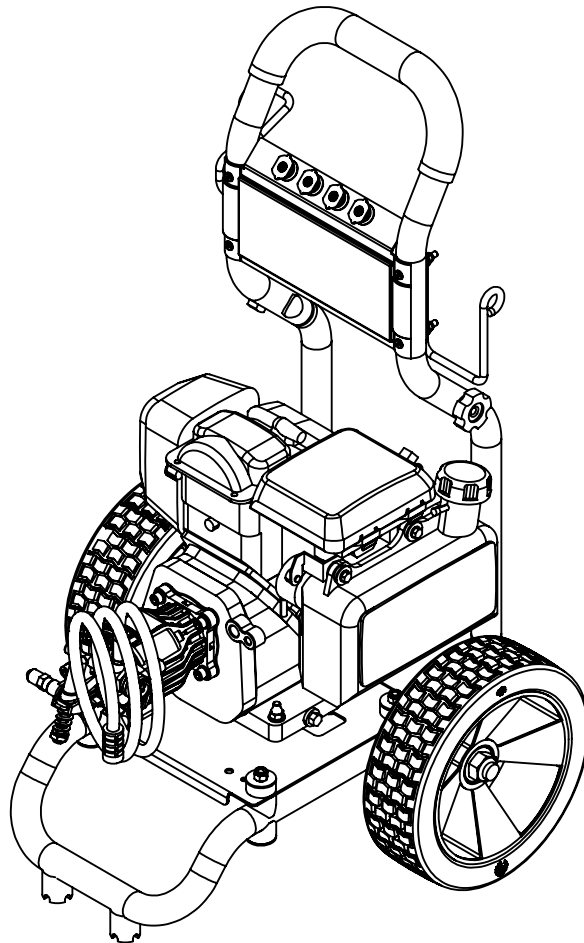


# PP3225H DIRT LASER PARTS MANUAL



REV 1.0 BEGINNING SERIAL NUMBER

## TABLE OF CONTENTS

SERVICE WARNINGS.....PG 3

### PARTS BREAKDOWNS

MAIN FRAME.....PG 8

MOTOR PUMP ASSY.....PG 10

ACCESSORIES.....PG 11

PUMP BREAKDOWNS.....PG 12



**EXTREMELY HAZARDOUS OR DANGEROUS SITUATION THAT WILL RESULT IN DEATH OR SERIOUS INJURY IF NOT OBEYED OR AVOIDED.**



**DO NOT FILL OR REFILL THE ENGINE WITH FUEL WHILE THE ENGINE IS RUNNING. STOP THE ENGINE, RELEASE THE PRESSURE IN THE HOSE AND ALLOW THE ENGINE TO COOL FOR AT LEAST 5 MINUTES BEFORE REFUELING.**

**DO NOT SMOKE WHEN REFILLING ANY FUEL TANKS.**

**DO NOT REFUEL INDOORS.**

**REFILL ONLY IN A WELL VENTILATED AREA.**

**DO NOT OVER FILL TANKS. REFILL TANKS SLOWLY TO AVOID SPILLING FUEL.**

**DO NOT RESTART MACHINE UNTILL ALL FUEL SPILLS HAVE BEEN THOROUGHLY CLEANED UP AND ANY RESIDUAL FUEL HAS EVAPORATED.**

**DO NOT STORE THE MACHINE NEAR OPEN FLAME, HEAT SOURCE OR ANY DEVICE THAT COULD CREATE A SPARK.**



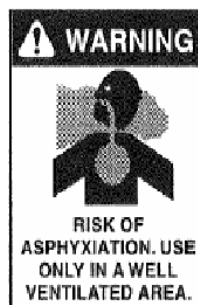
**DO NOT SPRAY FLAMMABLE LIQUIDS.**

**DO NOT OPERATE PRESSURE WASHER IN THE PRESENCE OF FLAMMABLE LIQUIDS, VAPORS, GASSES, COMBUSTIBLE DUST OR ANY OTHER COMBUSTIBLE MATERIALS.**

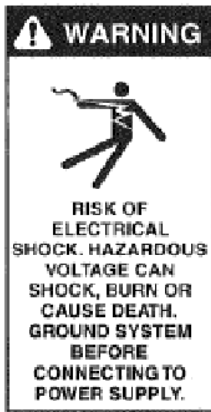
**DO NOT USE CRANKCASE OR WASTE OIL.**

**DO NOT PUT GASOLINE IN ANY TANK INTENDED FOR FUEL OIL.**

**USE ONLY No.1 OR No.2 HEATING OIL OR DIESEL FUEL IN THE BURNER TANK.**



**DO NOT OPERATE PRESSURE WASHER IN AN ENCLOSED AREA. USE ONLY IN A WELL VENTILATED AREA. PROPER VENTILATION AND OXYGEN SUPPLY IS NEED TO SUSTAIN YOUR LIFE AND FOR THE SAFE AND EFFICIENT OPERATION OF THIS MACHINE.**



**DO NOT DIRECT THE WATER STREAM OR SPRAY AT ANY ELECTRICAL INSTALLATION OF ANY KIND INCLUDING LIGHTS.**

**DO NOT USE THE WATER STREAM TO CLEAN THE PRESSURE WASHER.**

**DO NOT USE EXTENSION CORDS. USE ADDITIONAL HOSES.**

**DO NOT USE THE PRESSURE WASHER IF THE GFCI, CIRCUIT BREAKER OR THERMAL OVERLOAD PROTECTOR TRIPS.**

**DO NOT USE WHILE RAINING.**

**DO NOT USE IF POWER SUPPLY CORD IS DAMAGED.**

**DO NOT REPAIR POWER SUPPLY CORD. REPLACE IT.**

**DO NOT ALLOW POWER CORD TO LAY IN STANDING WATER.**

**USE ONLY FACTORY SUPPLIED CORD SET WITH A PROPERLY GROUNDED RECEPTACLE THAT IS EQUIPPED WITH A GROUND FAULT CIRCUIT INTERRUPTER.**

**USE ONLY A PROPERLY SIZED AND ISOLATED ELECTRICAL SUPPLY CAPABLE OF THE FULL LOAD AMPERAGE THAT THE PRESSURE WASHER REQUIRES.**



**DO NOT USE THE PRESSURE WASHER WHILE STANDING ON A LADDER OR SCAFFOLDING.**

**DO NOT USE WHILE STANDING ON PITCHED ROOFS.**

**WET SURFACE IS SLIPPERY. DANGER OF SLIP AND FALL.**



**DO NOT POINT THE WATER STREAM AT ANY PERSONS OR ANIMALS.**

**DO NOT OPERATE IN THE VICINITY OF CHILDREN.**

**DO NOT USE THE WATER STREAM TO CLEAN ANY PROTECTIVE CLOTHING OR BOOTS.**



**USE ONLY FACTORY APPROVED IDENTICAL REPLACEMENT PARTS.**

**DO NOT CHANGE OR TAMPER WITH FACTORY PRESET**

**ADJUSTMENTS. NEVER DEFEAT OR DISABLE ANY SAFETY DEVICES ON THE MACHINE.**



DO NOT OPERATE THE UNIT WITH A MALFUNCTIONING BURNER OR BURNER CONTROL. INSPECT BURNER AND BURNER CONTROL OPERATION BEFORE EACH USE. FAILURE TO DO SO MAY RESULT IN AN EXPLOSION OR FIRE. IF YOU SUSPECT A

PROBLEM WITH THE BURNER, DISCONTINUE USE IMMEDIATELY AND CONTACT YOUR LOCAL AUTHORIZED DISTRIBUTOR.

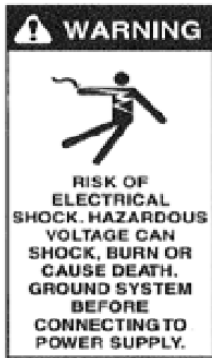
**WARNING! (Liquid Petroleum or Natural Gas Fired Units)**

FOR YOUR SAFETY, IF YOU SMELL GAS:

1. OPEN WINDOWS.
2. DO NOT TOUCH ELECTRICAL SWITCHES.
3. TURN OFF BREAKER SWITCH SUPPLYING POWER TO UNIT. CLOSE GAS SUPPLY VALVE TO UNIT.
4. EXTINGUISH ANY OPEN FLAME.
5. IMMEDIATELY EVACUATE PREMISES AND CALL YOUR GAS SUPPLIER.
6. MACHINES CAN CAUSE AN EXPLOSION WHEN OPERATED NEAR FLAMMABLE MATERIALS AND VAPORS. DO NOT- USE THIS MACHINE WITH OR NEAR FUELS, GRAIN DUST, SOLVENTS, THINNERS OR OTHER FLAMMABLE MATERIALS.
7. THIS UNIT MUST BE INSTALLED IN COMPLIANCE WITH ALL APPLICABLE GAS CODES. FAILURE TO DO SO COULD RESULT IN INJURY OR DEATH TO YOU OR TO OTHER PERSONNEL.
8. USE NO. 1 OR NO. 2 FUEL OIL ONLY IN OIL FIRED MACHINES. NEVER INTRODUCE GASOLINE TO THE FUEL OIL TANK. DOING SO COULD RESULT IN AN EXPLOSION OR FIRE. KEEP THE PROPER FUEL IN THE PROPER TANK.



**POTENTIALLY HAZARDOUS SITUATION THAT COULD RESULT IN DEATH OR SERIOUS INJURY IF NOT OBEYED OR AVOIDED.**



**DISCONNECT POWER BEFORE SERVICING THE PRESSURE WASHER.**

**DISCONNECT SPARK PLUG BEFORE SERVICING THE PRESSURE WASHER.**

**DO NOT DIRECT THE WATER STREAM OR SPRAY AT ANY ELECTRICAL INSTALLATION OF ANY KIND INCLUDING LIGHTS.**



**DO NOT TOUCH HOT SURFACES. EG. MUFFLER, BURNER, ENGINE, HEAT EXCHANGER, EXHAUST HEAD.**

**USE ONLY INSULATED EXTENSION WAND WITH HOT WATER.**

**DO NOT ALLOW HOSES TO TOUCH HOT SURFACE.**



**DO NOT USE PRESSURE WASHER WITHOUT PROPER PROTECTIVE WEAR. USE EYE PROTECTION, RUBBER GLOVES, RUBBER BOOTS, AND PROTECTIVE CLOTHING.**

**DO NOT USE CORROSIVE OR AGGRESSIVE CHEMICALS WITHOUT PROPER PROTECTIVE WEAR.**

**THIS MACHINE PRODUCES HOT WATER AT VERY HIGH PRESSURES. USE ONLY APPROVED ACCESSORIES RATED FOR HOT WATER AND HIGH PRESSURE.**



**POTENTIALLY HAZARDOUS SITUATION THAT COULD RESULT IN PERSONAL INJURY OR PROPERTY DAMAGE IF NOT OBEYED OR AVOIDED.**

**DO NOT** LEAVE THE PRESSURE WASHER RUNNING UNATTENDED. TURN THE MACHINE OFF AND RELEASE ALL PRESSURE FROM THE SYSTEM.

**DO NOT** DEFEAT THE TRIGGER GUN SAFETY

**DO NOT** LOCK THE TRIGGER IN THE OPEN POSITION IN ANY WAY.

KNOW THE MACHINE CONTROLS AND HOW TO QUICKLY SHUT DOWN AND RELEASE ALL PRESSURE IN THE SYSTEM.

**DO NOT** OPERATE THE MACHINE WITHOUT ALL GUARDS AND PROTECTIVE COVERS IN PLACE.

**DO NOT** ALLOW ANY PART OF PERSONS OR HOSES TO CONTACT HOT SURFACES.

DO NOT HAVE ENGINE EXHAUST POINTING AT FLAMMABLE MATERIALS.

**INSPECT** THE PRESSURE WASHER AND HOSES FOR DAMAGED PARTS DAILY.

REPAIR LEAKS AS THEY HAPPEN TO PREVENT FURTHER DAMAGE.

**DO NOT** OPERATE WITH ANY FAULTY OR DAMAGED COMPONENTS.

**DISCONNECT POWER** CORD, BATTERY NEGATIVE AND SPARK PLUG BEFORE PERFORMING ANY SERVICE ON THE PRESSURE WASHER.

KEEP ALL HOSES AND POWER CORDS AWAY FROM VEHICLE TRAFFIC.

**DO NOT** MOVE THE MACHINE BY PULLING ON THE HOSE.

DO NOT LEAVE THE MACHINE EXPOSED TO HARSH ENVIRONMENTS.

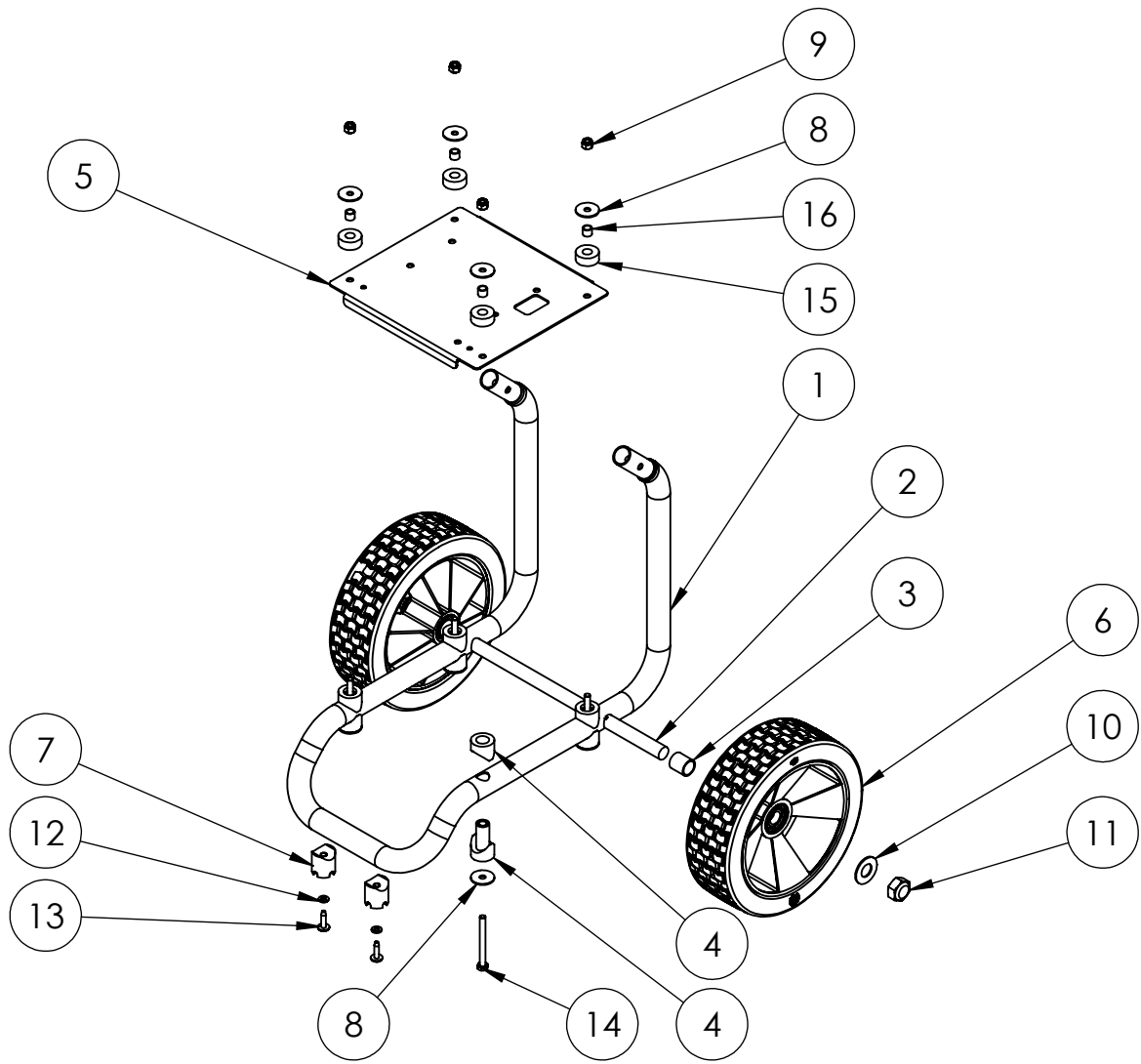
DO NOT OPERATE THE MACHINE IN THE RAIN.

**DO NOT** DIRECT THE HIGH PRESSURE WATER STREAM AT FRAGILE OBJECTS.

**DO NOT** USE ANY ACCESSORIES UNLESS THEY ARE RATED AT OR ABOVE THE WORKING PRESSURE AND TEMPERATURE OF THE MACHINE.

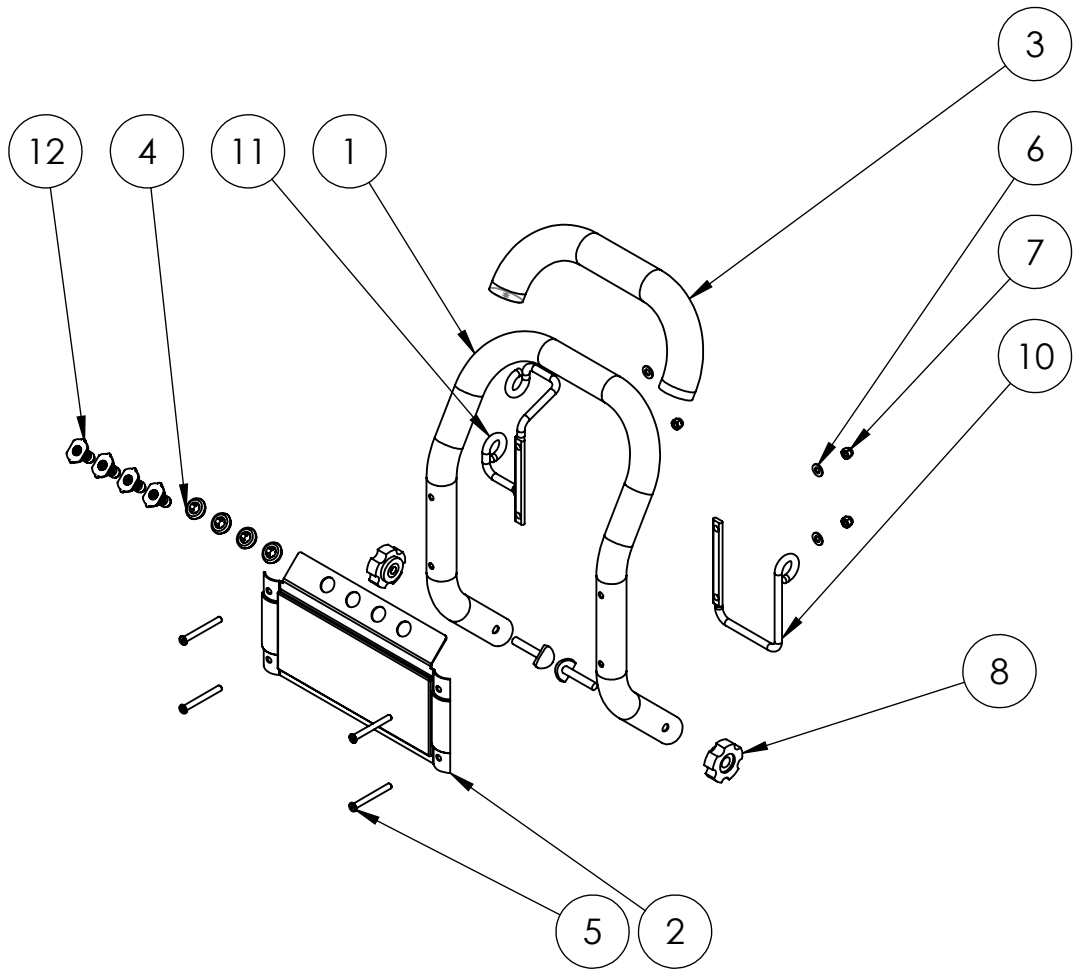
**ALWAYS USE** EYE, FACE, HAND, FOOT, HEARING, AND BODY PROTECTIVE WEAR.

**DO NOT** OPERATE PRESSURE WASHER IF FATIGUED OR UNDER THE INFLUENCE OF ALCOHOL OR DRUGS. **BE ALERT AT ALL TIMES.**

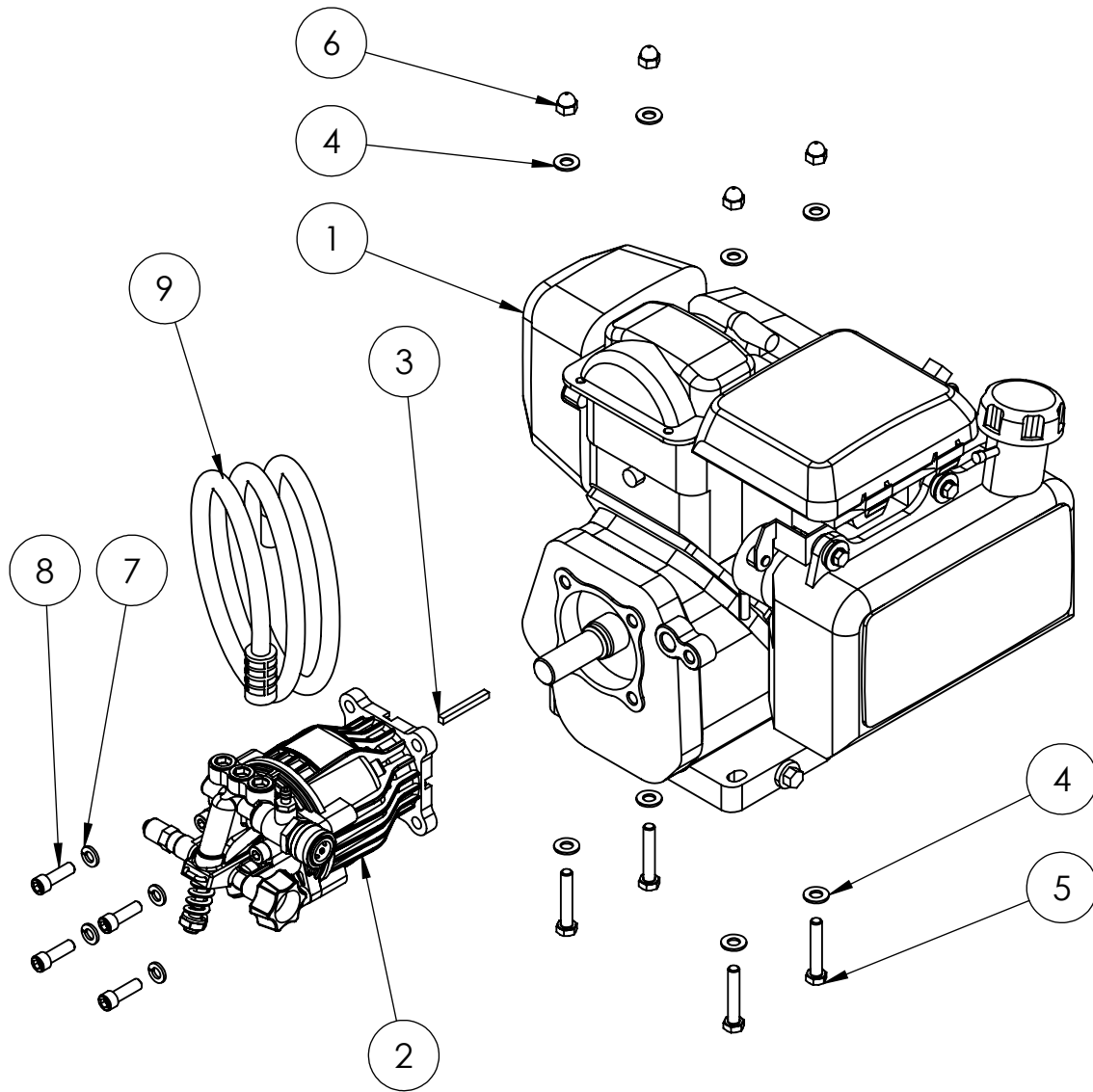


ITEM NO.	PART NUMBER	DESCRIPTION	QTY.
1	00100	FRAME, BASE TUBE	1
2	00104	AXLE, 495MM, THREADED	1
3	00105	SPACER, WHEEL	2
4	00132	VIBRATION ISOLATOR, 60 DURO	4
5	00106	BASE PLATE	1
6	00107	WHEEL ASSY, FLAT FREE, 10.3" DIA	2
7	00108	RUBBER FOOT	2
8	00116	FLAT WASHER, M8 X 32	8
9	00117	NYLON LOCK NUT, M8-1	4
10	00118	FLAT WASHER, 19MM	2
11	00119	M18 X 1.5 NYLON LOCK NUT	2
12	00120	FLAT WASHER, M6	2
13	00121	1/4-20 X 1 TORX SCREW	2
14	00181	HHCS, M8-1.25 X 80MM	4
15	00178	VIBRATION ISOLATOR, 60 DURO	4
16	00179	SPACER	4



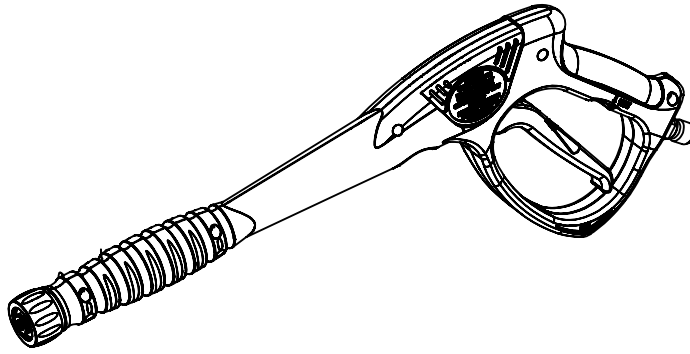


ITEM NO.	PART NUMBER	DESCRIPTION	QTY.
1	00101	HANDLE, UPPER, TUBE	1
2	00110	DASHBOARD	1
3	00111	FOAM GRIP	1
4	00133	GROMMET, BLACK RUBBER	4
5	00122	BHCS, M6-1 X 55	4
6	00120	FLAT WASHER, M6	4
7	00123	NYLON LOCK NUT, M6-1	4
8	00109	KNOB, M8-1	2
9	00103	SADDLE BOLT, M8-1 X 45MM	2
10	00171	HANGER, HOSE, LEFT SIDE	1
11	00172	HANGER, GUN, RIGHT SIDE	1
12	TPKZ027	TIP KIT, 2.7, 4 PC, 15, 25, 40, CHEM	1

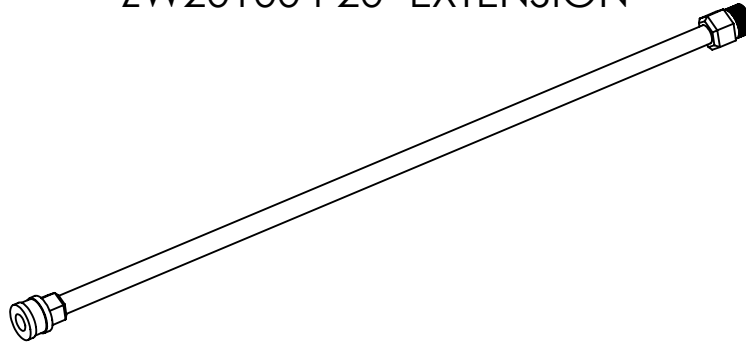


ITEM NO.	PART NUMBER	DESCRIPTION	QTY.
1	GC190LAQHGF	ENGINE, HONDA, CONSUMER, GC190	1
2	TA1-12X08.4	PUMP, AXIAL, 2.5GPM, 3100 PSL	1
3	0187	KEYSTOCK, 3/16 X 1 3/4 LONG	1
4	111 031 200 100	FLAT WASHER, USS, 5/16	8
5	105 051 801 750	HHCS, 5/16-18 X 1 3/4	4
6	130 051 800 000	NUT, NYLOCK, 5/16-18	4
7	131 031 200 100	LOCK WASHER, 5/16	4
8	006 052 401 000	SOCKET HEAD CAP SCREW, 5/16-24 X 1"	4
9	ACI900	INJECTOR HOSE ASSEMBLY	1

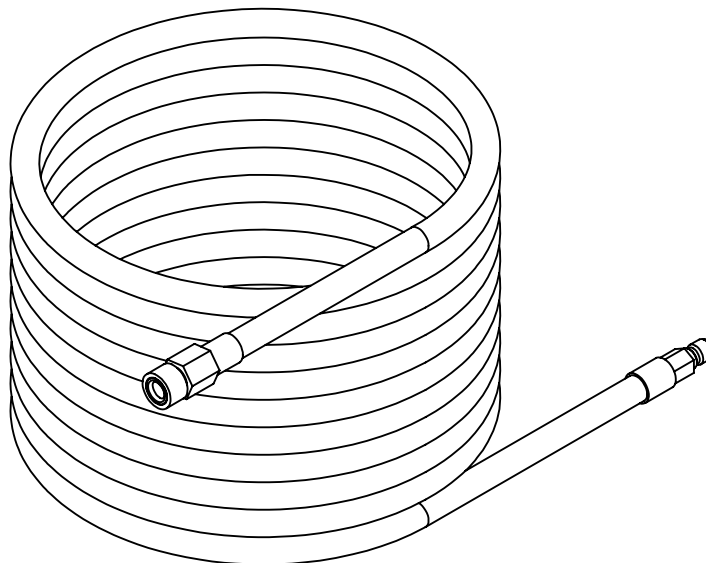
ZG45RS02 GUN VALVE

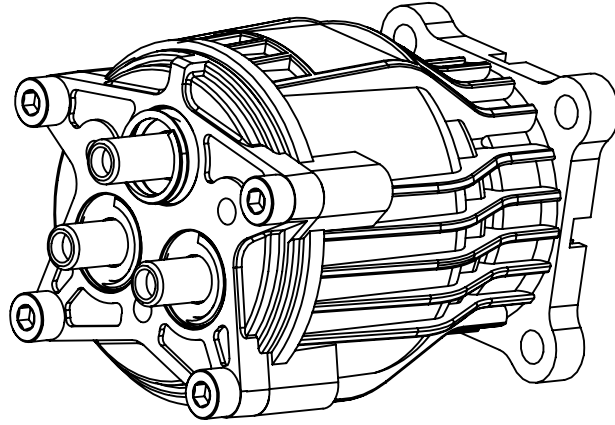


ZW201004 20" EXTENSION

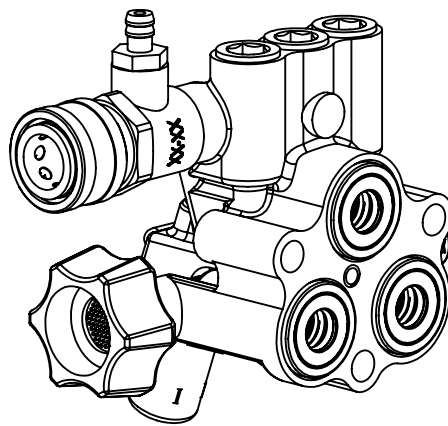


AHSZ025 HOSE ASSY 25'





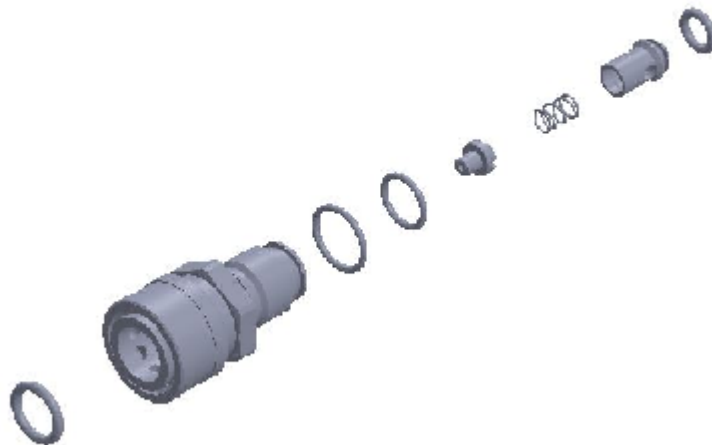
TA1-K1  
TA1-12X08.4 CRANKCASE KIT



TA1-K2  
TA1-12X08.4 MANIFOLD KIT



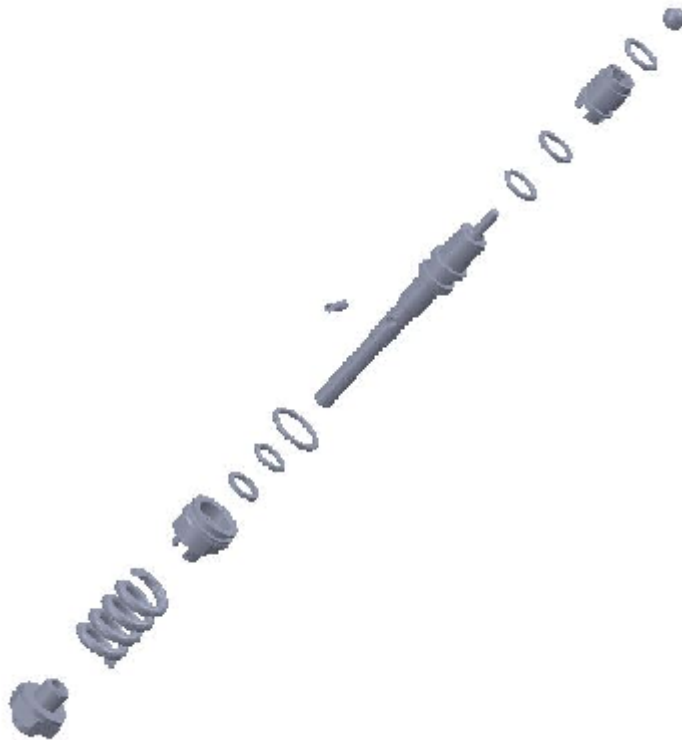
T-K1  
TA1-12X08.4 CHEMICAL INJECTOR KIT



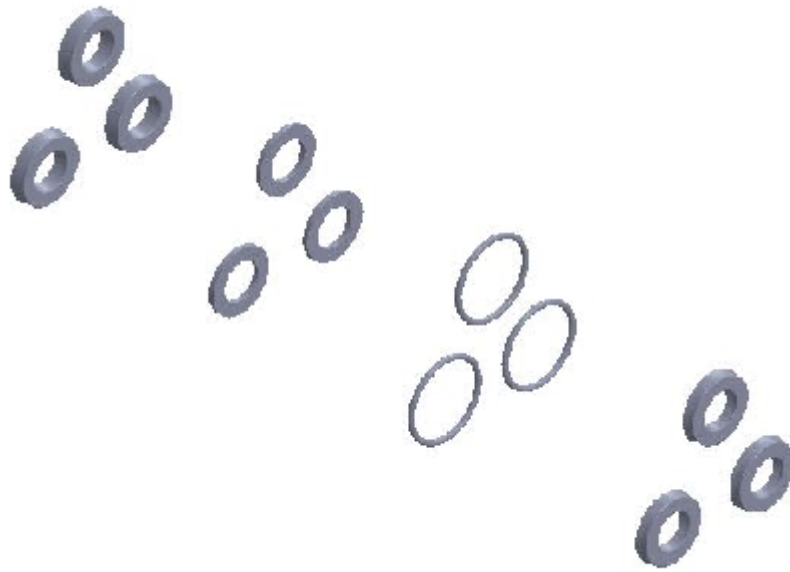
T-K2  
TA1-12X08.4 OUTLET CONNECTOR KIT



TA1-K3  
TA1-12X08.4 VALVE KIT  
6 REQUIRED



TA1-K4  
TA1-12X08.4 UNLOADER VALVE KIT



TA1-K5  
TA1-12X08.4 WATER SEAL KIT