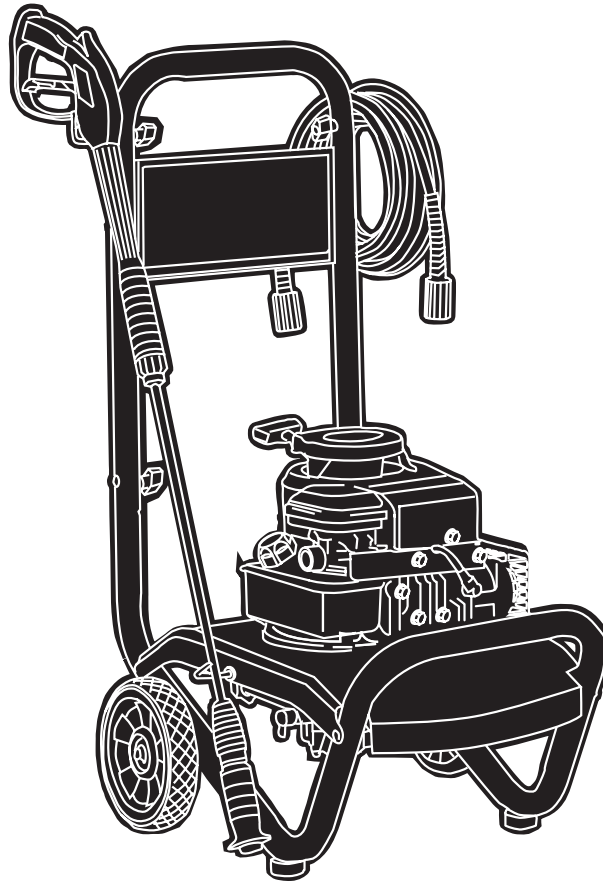


CleanShot™ 2050 PSI

Illustrated Parts List



Questions? Help is just a moment away!
Preguntas? La ayuda es justa un momento lejos!

Call: **Pressure Washer Helpline**

Llame: **Línea Directa del Lavador a Presión - 1-800-743-4115** M-F 8-5 CT

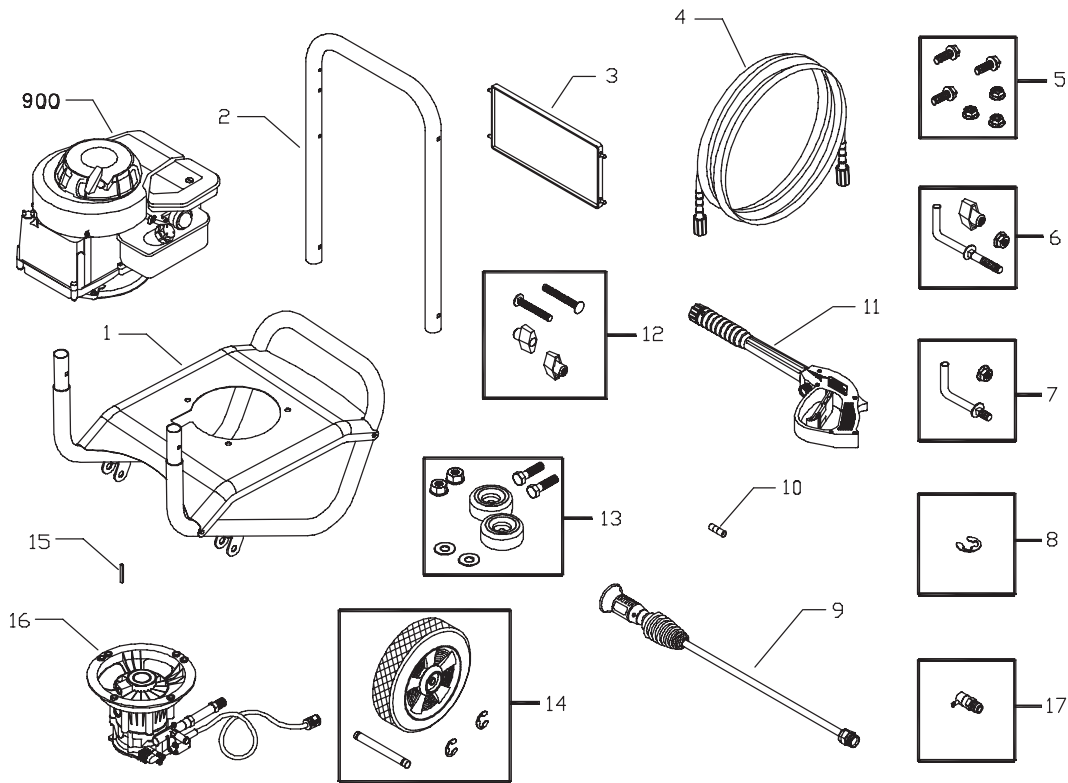
CleanShot™ is a trademark of Briggs & Stratton Power Products.

CleanShot™ es una marca registrada de Briggs & Stratton Power Products.

BRIGGS & STRATTON POWER PRODUCTS GROUP, LLC
JEFFERSON, WISCONSIN, U.S.A.

Model No. 020244-I (2050 PSI Pressure Washer) Manual No. 197182A Revision I (03/10/2006)

EXPLODED VIEW AND PARTS LIST - MAIN UNIT



| Item | Part # | Description | Item | Part # | Description |
|------|-----------|-----------------------------|------|----------|-------------------------|
| 1 | 192419GS | BASE | 11 | 193482GS | GUN |
| 2 | B194030GS | HANDLE | 12 | B2203GS | KIT, Handle Connector |
| 3 | 195953GS | ASSY, Billboard | 13 | 192310GS | KIT, Vibration Mount |
| 4 | 196006GS | HOSE | 14 | 194255GS | KIT, Wheel |
| 5 | 192525GS | KIT, Pump Mounting Hardware | 15 | 23139GS | KEY |
| 6 | 194264GS | KIT, Hook, Handle | 16 | 197300GS | ASSY, Pump (see page 3) |
| 7 | 192309GS | KIT, Hook, Base | 17 | 194298GS | VALVE, Thermal Relief |
| 8 | 192050GS | KIT, E-Ring 1/2" | 900 | § | ENGINE |
| 9 | 194344DGS | ASSY, Wand | | | |
| 10 | 193609DGS | ORFICE | | | |

§ - Contact Engine Manufacturer

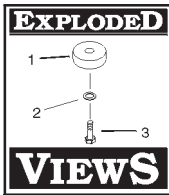
Items Not Illustrated:

| Part # | Description |
|-----------|----------------------|
| 197182GS | MANUAL, Operator's |
| MS5573 | MANUAL, Engine |
| 194256GS | KIT, Tag/Warning Srv |
| 192755GS | DECAL, Warning |
| BB3061BGS | OIL, Engine |

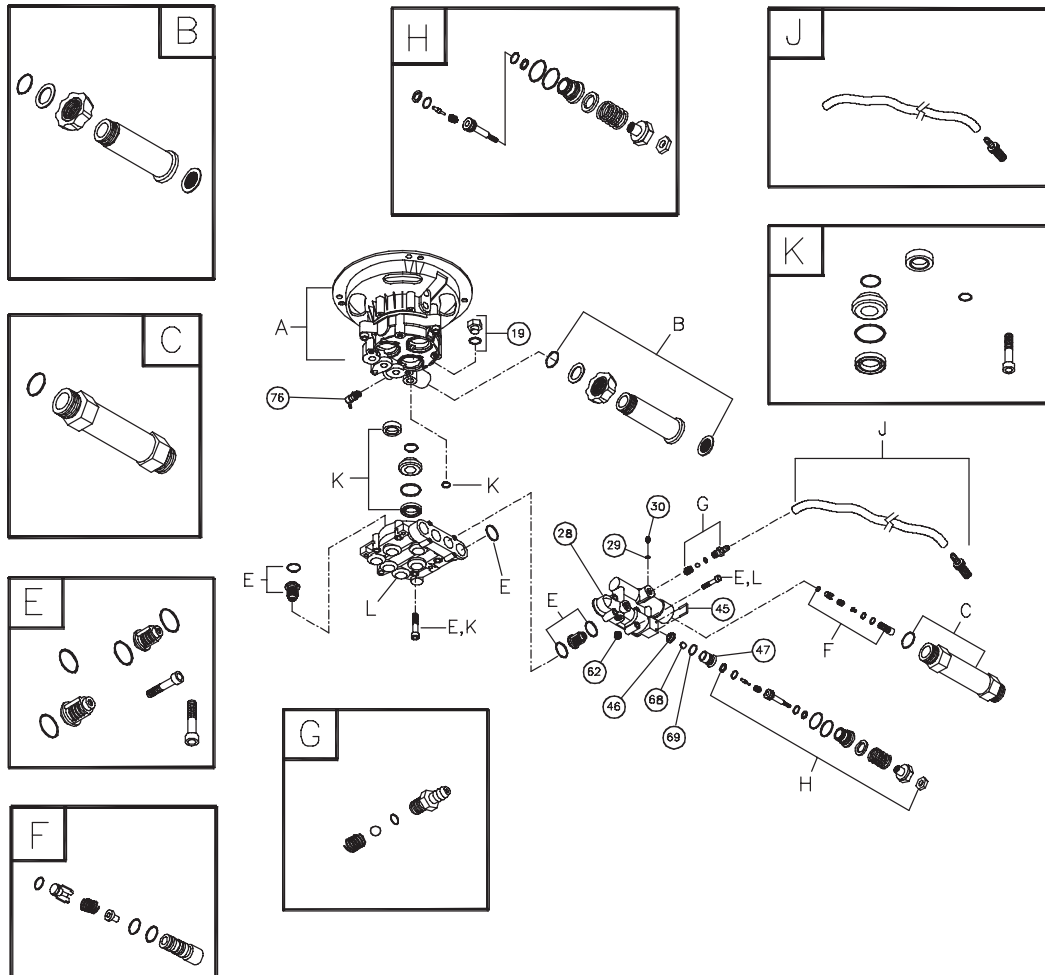
Optional Accessories Not Illustrated

| Part # | Description |
|----------|------------------|
| 100031 | STABILIZER, Fuel |
| 100516GS | KIT, O-Ring |
| 6039 | PUMP SAVER |

Copyright © 2006 Briggs & Stratton Power Products Group, LLC. All rights reserved. No part of this material may be reproduced or transmitted in any form by any means without the express written permission of Briggs & Stratton Power Products Group, LLC.



EXPLODED VIEW AND PARTS LIST - PUMP



| Item | Part # | Description |
|------|----------|----------------------------|
| 19 | 190571GS | CAP, Oil |
| 28 | 190627GS | MANIFOLD |
| 29 | 190575GS | O-RING, 4 X 2 |
| 30 | 190576GS | SCREW |
| 45 | 190578GS | PIN |
| 46 | 190629GS | VALVE, Seat Plate, Plastic |
| 47 | 190630GS | VALVE, Seat, Plastic |
| 62 | 190581GS | CAP, 1/8 |
| 68 | 190582GS | BALL, 7mm SS |
| 69 | 190584GS | O-RING, 9.25 x 1.78 |
| 76 | 194298GS | THERMAL RELIEF |
| A | NSP | ASSY, CASE, PISTON |
| B | 190632GS | KIT, WATER INLET, ALUM |
| C | 190634GS | KIT, OUTLET, ALUM |
| E | 193806GS | KIT, CHECK VALVES |

| Item | Part # | Description |
|------|----------|-------------------------|
| F | 190592GS | KIT, INLET CHECK |
| G | 190593GS | KIT, CHEMICAL INJECTION |
| H | 190628GS | KIT, UNLOADER STEM |
| J | 189971GS | KIT, CHEMICAL HOSE |
| K | 197309GS | KIT, SEAL SET |
| L | NSP | KIT, HEAD ALUM |

Parts Not Illustrated

| | |
|----------|-------------------|
| 190586GS | OIL BOTTLE |
| B2384GS | FILTER, Inlet |
| 186452GS | FILTER, Bag of 10 |

NOTE: Item letters B - K are service kits and include all parts shown within the box.