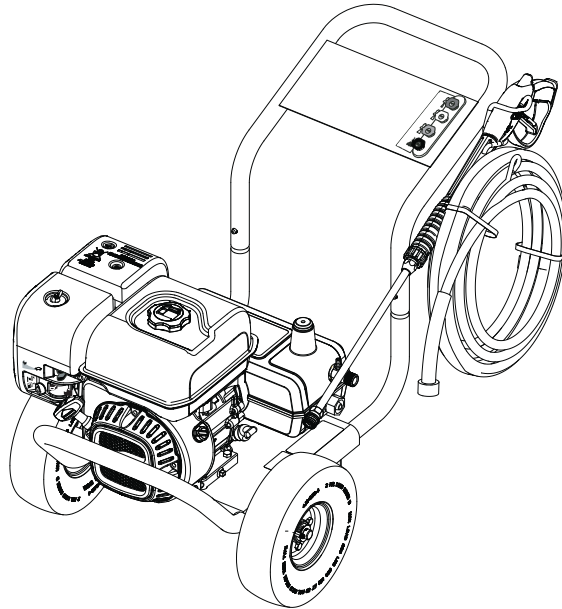


 **BLACK & DECKER®**

**Pressure Washer**

**Catalog Number BDP3100**

# **INSTRUCTION MANUAL**



THANK YOU FOR CHOOSING BLACK & DECKER!  
GO TO [WWW.BLACKANDDECKER.COM/NEWOWNER](http://WWW.BLACKANDDECKER.COM/NEWOWNER)  
TO REGISTER YOUR NEW PRODUCT.

**BEFORE RETURNING THIS PRODUCT  
FOR ANY REASON PLEASE CALL**

**1-800-544-6986**

BEFORE YOU CALL, HAVE THE CATALOG No. AND DATE CODE AVAILABLE. IN MOST CASES, A  
**BLACK & DECKER** REPRESENTATIVE CAN RESOLVE THE PROBLEM OVER THE PHONE. IF YOU HAVE A  
SUGGESTION OR COMMENT, GIVE US A CALL. YOUR FEEDBACK IS VITAL TO BLACK & DECKER.

**SAVE THIS MANUAL FOR FUTURE REFERENCE.**

**VEA EL ESPAÑOL EN LA CONTRAPORTADA.**

INSTRUCTIVO DE OPERACIÓN, CENTROS DE SERVICIO  
Y PÓLIZA DE GARANTÍA. **ADVERTENCIA:** LÉASE ESTE  
INSTRUCTIVO ANTES DE USAR EL PRODUCTO.

## SAFETY GUIDELINES - DEFINITIONS

This manual contains information that is important for you to know and understand. This information relates to protecting YOUR SAFETY and PREVENTING EQUIPMENT PROBLEMS. To help you recognize this information, we use the symbols below. Please read the manual and pay attention to these symbols.

**⚠ DANGER:** Indicates an imminently hazardous situation which, if not avoided, **will** result in **death or serious injury**.

**⚠ WARNING:** Indicates a potentially hazardous situation which, if not avoided, **could** result in **death or serious injury**.

**⚠ CAUTION:** Indicates a potentially hazardous situation which, if not avoided, **may** result in **minor or moderate injury**.

**CAUTION:** Used without the safety alert symbol indicates a potentially hazardous situation which, if not avoided, **may** result in **property damage**.

## CONSUMER SAFETY INFORMATION

**⚠ WARNING:** This product may not be equipped with a spark arresting muffler. If the product is not equipped and will be used around flammable materials, or on land covered with materials such as agricultural crops, forest, brush, grass, or other similar items, then an approved spark arrester must be installed and is legally required in the state of California. It is a violation of California statutes section 130050 and/or sections 4442 and 4443 of the California Public Resources Code, unless the engine is equipped with a spark arrester, as defined in section 4442, and maintained in effective working order. Spark arresters are also required on some U.S. Forest Service land and may also be legally required under other statutes and ordinances.

**⚠ WARNING:** This product contains chemicals known to the State of California to cause cancer, and birth defects or other reproductive harm. Wash hands after handling.

## IMPORTANT SAFETY INSTRUCTIONS

**⚠ WARNING:** Do not operate this unit until you have read and understand this Operators Manual and the Engine Owners Manual for Safety, Operation, and Maintenance Instructions.

## READ AND SAVE THESE INSTRUCTIONS



**⚠ DANGER: RISK OF EXPLOSION OR FIRE**

### WHAT CAN HAPPEN

- Spilled gasoline and its vapors can become ignited from cigarette sparks, electrical arcing, exhaust gases and hot engine components such as the muffler.

### HOW TO PREVENT IT

- Shut off engine and allow it to cool before adding fuel to the tank.
- Use care in filling tank to avoid spilling fuel. Move pressure washer away from fueling area before starting engine.

- Heat will expand fuel in the tank which could result in spillage and possible fire explosion.
- Fill tank to 1/2" (12.7 mm) below bottom of filler neck to provide space for fuel expansion.

## **RISK OF EXPLOSION OR FIRE (CONTINUED)**

### **WHAT CAN HAPPEN**

- Operating the pressure washer in an explosive environment could result in a fire.

- Materials placed against or near the pressure washer can interfere with its proper ventilation features causing overheating and possible ignition of the materials.

- Muffler exhaust heat can damage painted surfaces, melt any material sensitive to heat (such as siding, plastic, rubber, vinyl or the pressure hose, itself), and damage live plants.

- Improperly stored fuel could lead to accidental ignition. Fuel improperly secured could get into the hands of children or other unqualified persons.

- Use of acids, toxic or corrosive chemicals, poisons, insecticides, or any kind of flammable solvent with this product could result in serious injury or death.

### **HOW TO PREVENT IT**

- Operate and fuel equipment in well-ventilated areas free from obstructions. Equip areas with fire extinguisher suitable for gasoline fires.

- Never operate pressure washer in an area containing dry brush or weeds.

- Always keep pressure washer a minimum of 4' (1.2 m) away from surfaces (such as houses, automobiles or live plants) that could be damaged from muffler exhaust heat.

- Store fuel in an OSHA-approved container, in a secure location away from work area.

- Do not spray flammable liquids



## **⚠ DANGER: RISK TO BREATHING (ASPHYXIATION)**

### **WHAT CAN HAPPEN**

- Breathing exhaust fumes will cause serious injury or death! Engine exhaust contains carbon monoxide, an odorless and deadly gas.

- Some cleaning fluids contain substances which could cause injury to skin, eyes or lungs.

### **HOW TO PREVENT IT**

- Operate pressure washer in a well-ventilated area. Avoid enclosed areas such as garages, basements, etc.

- Never operate unit in a location occupied by humans or animals.

- Use only cleaning fluids specifically recommended for high-pressure washers. Follow manufacturers recommendations. Do not use chlorine bleach or any other corrosive compound.



## **⚠ DANGER: RISK OF FLUID INJECTION AND LACERATION**

### **WHAT CAN HAPPEN**

- Your pressure washer operates at fluid pressures and velocities high enough to penetrate human and animal flesh, which could result in amputation or other serious injury. Leaks caused by loose fittings or worn or damaged hoses can result in injection injuries. **DO NOT TREAT FLUID INJECTION AS A SIMPLE CUT!** See a physician immediately!

### **HOW TO PREVENT IT**

- Inspect the high-pressure hose regularly. Replace the hose immediately if it is damaged, worn, has melted from contacting the engine, or shows any signs of cracks, bubbles, pinholes, or other leakage. Never grasp a high-pressure hose that is leaking or damaged.
  - Never touch, grasp or attempt to cover a pinhole or similar water leak on the high-pressure hose. The stream of water IS under high pressure and WILL penetrate skin.
  - Never place hands in front of nozzle.
  - Direct spray away from self and others.
  - Make sure hose and fittings are tightened and in good condition. Never hold onto the hose or fittings during operation.
  - Do not allow hose to contact muffler.
  - Never attach or remove wand or hose fittings while system is pressurized.
- Injuries can result if system pressure is not reduced before attempting maintenance or disassembly.
- To relieve system pressure, shut off engine, turn off water supply and pull gun trigger until water stops flowing.
  - Use only hoses and accessories rated for pressure higher than your pressure washer's psi.



## **⚠ DANGER: RISK OF INJURY FROM SPRAY**

### **WHAT CAN HAPPEN**

- High-velocity fluid spray can cause objects to break, propelling particles at high speed.
- Light or unsecured objects can become hazardous projectiles.

### **HOW TO PREVENT IT**

- Always wear ANSI-approved Z87.1 safety glasses. Wear protective clothing to protect against accidental spraying.
- Never point wand at or spray people or animals.
- Always secure trigger lock when wand is not in service to prevent accidental operation.
- Never permanently secure trigger in pull-back (open) position.



## **⚠ DANGER: RISK OF UNSAFE OPERATION**

### **WHAT CAN HAPPEN**

- Unsafe operation of your pressure washer could lead to serious injury or death to you or others.

- If proper starting procedure is not followed, engine can kickback causing serious hand and arm injury.

- The spray gun/wand is a powerful cleaning tool that could look like a toy to a child.

- Reactive force of spray will cause gun/wand to kickback, and could cause the operator to slip or fall or misdirect the spray. Improper control of gun/wand can result in injuries to self and others.

### **HOW TO PREVENT IT**

- Do not use chlorine bleach or any other corrosive compound.
- Become familiar with the operation and controls of the pressure washer.
- Keep operating area clear of all persons, pets and obstacles.
- Do not operate the product when fatigued or under the influence of alcohol or drugs. Stay alert at all times.
- Never defeat the safety features of this product.
- Do not operate machine with missing, broken or unauthorized parts.
- Never leave wand unattended while unit is running.

- If engine does not start after two pulls, squeeze trigger of gun to relieve pump pressure. Pull starter cord slowly until resistance is felt. Then pull cord rapidly to avoid kickback and prevent hand or arm injury.

- Keep children away from the pressure washer at all times.

- Do not overreach or stand on an unstable support.
- Do not use pressure washer while standing on a ladder.
- Grip gun/wand firmly with both hands. Expect the gun to kickback when triggered.



**⚠ DANGER: RISK OF INJURY OR PROPERTY DAMAGE WHEN TRANSPORTING OR STORING**

**WHAT CAN HAPPEN**

- Fuel or oil can leak or spill and could result in fire or breathing hazard. Serious injury or death can result. Fuel or oil leaks will damage carpet, paint or other surfaces in vehicles or trailers.

**HOW TO PREVENT IT**

- If pressure washer is equipped with a fuel shut-off valve, turn the valve to the OFF position before transporting to avoid fuel leaks. If pressure washer is not equipped with a fuel shut-off valve, drain the fuel from tank before transporting. Only transport fuel in an OSHA-approved container. Always place pressure washer on a protective mat when transporting to protect against damage to vehicle from leaks. Remove pressure washer from vehicle immediately upon arrival at your destination.



**⚠ WARNING: RISK OF BURSTING**

**WHAT CAN HAPPEN**

- Over inflation of tires could result in serious injury and property damage.

**HOW TO PREVENT IT**

- Use a tire pressure gauge to check the tires pressure before each use and while inflating tires; see the tire sidewall for the correct tire pressure.  
**NOTE:** Air tanks, compressors and similar equipment used to inflate tires can fill small tires similar to these very rapidly. Adjust pressure regulator on air supply to no more than the rating of the tire pressure. Add air in small increments and frequently use the tire gauge to prevent over inflation.

- High-velocity fluid spray directed at pneumatic tire sidewalls (such as found on automobiles, trailers and the like) could damage the sidewall resulting in serious injury.

- On pressure washers rated above 1600 PSI (110 Bar) use the widest fan spray (40° nozzle) and keep the spray a minimum of 8" (20 cm) from the pneumatic tire sidewall. Do not aim spray directly at the joint between the tire and rim.



**⚠ WARNING: RISK OF HOT SURFACES**

**WHAT CAN HAPPEN**

- Contact with hot surfaces, such as engines exhaust components, could result in serious burn.

**HOW TO PREVENT IT**

- During operation, touch only the control surfaces of the pressure washer. Keep children away from the pressure washer at all times. They may not be able to recognize the hazards of this product.



### **⚠ WARNING: RISK OF CHEMICAL BURN**

#### **WHAT CAN HAPPEN**

- Use of acids, toxic or corrosive chemicals, poisons, insecticides, or any kind of flammable solvent with this product could result in serious injury or death.

#### **HOW TO PREVENT IT**

- Do not use acids, gasoline, kerosene, or any other flammable materials in this product. Use only household detergents, cleaners and degreasers recommended for use in pressure washers.
- Wear protective clothing to protect eyes and skin from contact with sprayed materials.



### **⚠ WARNING: RISK OF ELECTRICAL SHOCK**

#### **WHAT CAN HAPPEN**

- Spray directed at electrical outlets or switches, or objects connected to an electrical circuit, could result in a fatal electrical shock.

#### **HOW TO PREVENT IT**

- Unplug any electrically operated product before attempting to clean it. Direct spray away from electric outlets and switches.



### **⚠ WARNING: RISK OF INJURY FROM LIFTING**

#### **WHAT CAN HAPPEN**

- Serious injury can result from attempting to lift too heavy an object.

#### **HOW TO PREVENT IT**

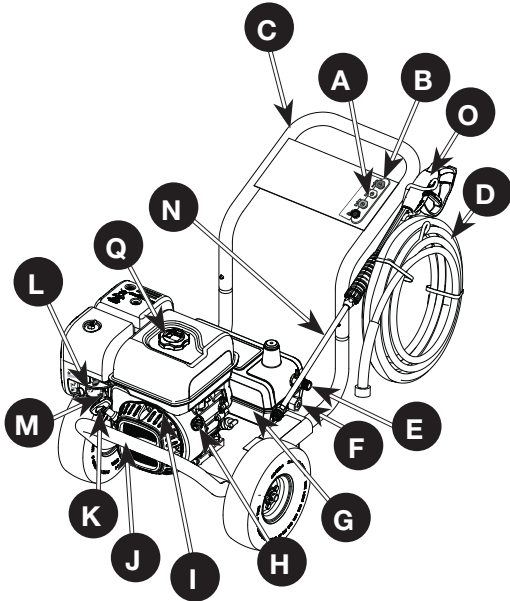
- The pressure washer is too heavy to be lifted by one person. Obtain assistance from others before lifting.

## **READ AND SAVE THESE INSTRUCTIONS**

**NOTE:** Photographs and line drawings used in this manual are for reference only and do not represent a specific model.

## GET TO KNOW THE PRESSURE WASER

Compare the illustrations with your unit to familiarize yourself with the location of various controls and adjustments. Save this manual for future reference.

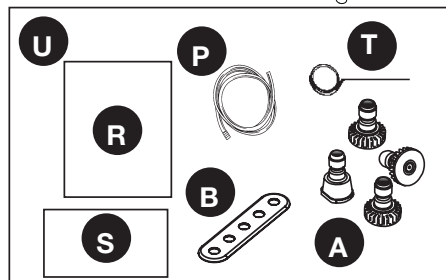
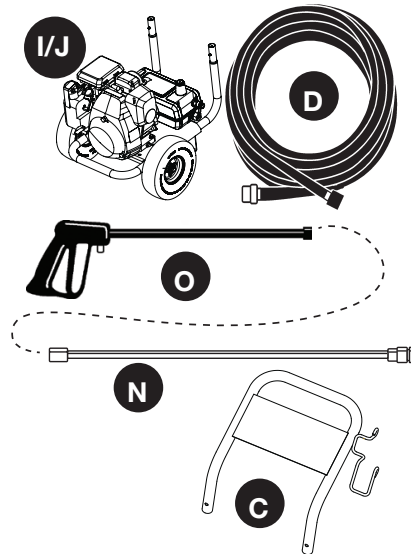


- A. Quick Connect Nozzles
- B. Nozzle Holder
- C. Handle
- D. High Pressure Hose: Carries the pressurized water from the pump to the gun and spray wand.
- E. Pump Outlet
- F. Pump Inlet
- G. High Pressure Pump: Increases the pressure of the water supply.
- H. Engine ON/OFF Switch: Enables and disables ignition system.
- I. Engine: Drives the high pressure pump. Refer to the engine manual for location and operation of engine controls.
- J. Frame
- K. Starter Grip: Pulling starter grip operates recoil starter to crank engine
- L. Choke Control: Opens and closes carburetor choke valve.
- M. Fuel Valve Lever: Opens/closes connection between fuel tank and carburetor.

- N. Quick-Connect Spray Wand: Allows the user to quickly change out high-pressure nozzles. Refer to **Spray Wand Nozzles**.
- O. Spray Gun: Connects with spray wand to control water flow rate, direction, and pressure.
- P. Chemical Hose (not shown): Feeds cleaning agents into the pump to mix with the water. See How To Apply Chemicals/Cleaning Solvents instructions in this section.
- Q. Gas fill

## CARTON CONTENTS

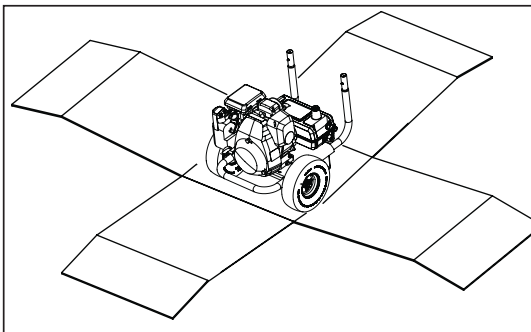
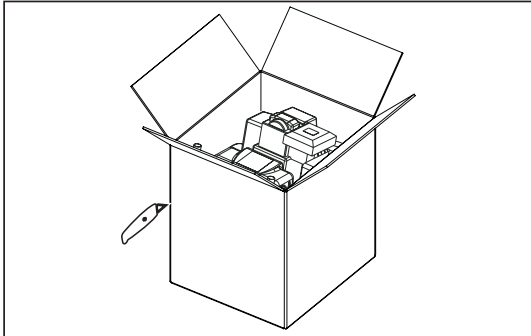
- A. Quick Connect Nozzles
- B. Nozzle Holder
- C. Handle
- D. High Pressure Hose
- I/J. Engine Frame and Wheel Assembly
- N. Quick Connect Spray Wand
- O. Spray Gun
- P. Chemical Hose
- R. Operation Manual
- S. Engine Manual
- T. Nozzle Cleaning Tool
- U. Bagged Parts



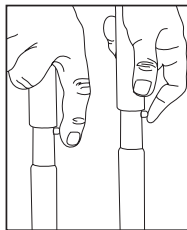


## ASSEMBLY INSTRUCTIONS

1. **Locate and remove all loose parts** from the carton.
2. **Cut four corners** of the carton from top to bottom and lay the panels flat.

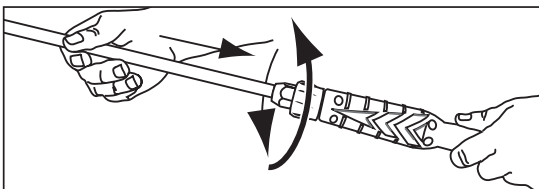


3. **Place handle (C) onto frame (J)**, depress the snap buttons, and slide the handle assembly onto the frame until snap buttons snap into place.

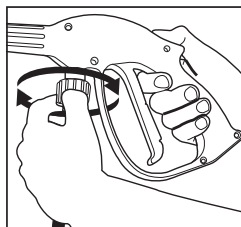


**⚠ CAUTION: Risk of personal injury. Avoid placing hands between handle and frame when assembling to prevent pinching.**

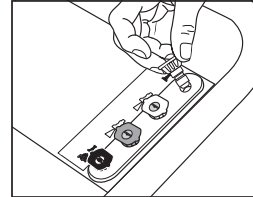
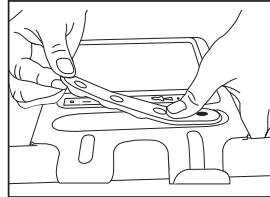
4. **Connect wand (N) to gun (O).** Tighten securely.



5. **Attach high pressure hose (D) to gun (O).** Tighten securely.



6. Place the nozzle holder (B) onto the panel (located on the handle assembly) and push each nozzle holder into place.
7. Remove four colored quick connect nozzles (A) from plastic bag and insert them into correct grommet on the nozzle holder. **NOTE:** Nozzles are color coded to match colored nozzles on panel.



**NOTE:** The high pressure pump was filled with oil at the factory. The oil in the high pressure pump was designed to last the life of the pump. If there is a problem with the pump contact an Authorized Service Center.

8. **Roll the unit off the carton** and discard carton.

**⚠ WARNING: Risk of bursting. Use a tire pressure gauge to check the tires pressure before each use and while inflating tires; see the tire sidewall for the correct tire pressure.**

**NOTE:** Air tanks, compressors and similar equipment used to inflate tires can fill small tires similar to these very rapidly. Adjust pressure regulator on air supply to no more than the rating of the tire pressure. Add air in small increments and frequently use the tire gauge to prevent over inflation.

## OPERATING INSTRUCTIONS

### PRESSURE WASHER TERMINOLOGY

**PSI:** Pounds per Square Inch. The unit of measure for water pressure. Also used for air pressure, hydraulic pressure, etc.

**GPM:** Gallons Per Minute. The unit of measure for the flow rate of water.

**CU:** Cleaning Units. GPM multiplied by PSI.  $GPM \times PSI = CU$

**Bypass Mode:** Allows water to re-circulate within pump when the gun trigger is not pulled.

**CAUTION:** Allowing the unit to run for more than two minutes without the gun trigger pulled could cause overheating and damage to the pump.

**Thermal Relief Valve (not shown):** When the temperature inside the pump rises too high the valve will open and release a gush of water in an effort to lower the temperature inside the pump. The valve will then close.

**Chemical Injection System:** Mixes cleaners or cleaning solvents with the water to improve cleaning effectiveness.

**Water Supply:** All pressure washers must have a source of water. The minimum requirements for a water supply are 20 psi and 5 gallons per minute.

## PRESSURE WASHER OPERATING FEATURES

### Pressure Adjustments

The pressure setting is preset at the factory to achieve optimum pressure and cleaning. If you need to lower the pressure, it can be accomplished by these methods.

- 1. Back away from the surface to be cleaned.** The further away you are, the less the pressure will be on the surface to be cleaned.

- 2. Change to the 40° nozzle - (white)** this nozzle delivers a less powerful stream of water and a wider spray pattern.

**CAUTION: DO NOT attempt to increase pump pressure. A higher pressure setting than the factory set pressure may damage pump.**





### Spray Wand Nozzles

The nozzles for the spray wand are stored in the nozzle holder on the panel assembly. Colors on the panel identify nozzle location and spray pattern. Refer to the following chart to choose the correct nozzle for the job to be performed.

### Changing Nozzles on Spray Wand

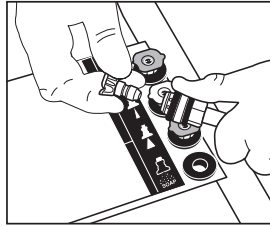
**⚠ DANGER: Risk of fluid injection. Do not direct discharge stream toward persons, unprotected skin, eyes or any pets or animals. Serious injury will occur.**

**⚠ WARNING: Flying objects could cause risk of serious injury. Do not attempt to change nozzles while pressure washer is running. Turn engine off before changing nozzles.**

Nozzle Color	Spray Pattern	Uses	Surfaces*
Red	0° 	powerful pinpoint for spot cleaning of hard, unpainted surfaces or for high reach areas	unpainted metal or concrete; DO NOT use on wood
Yellow	15° 	intense cleaning of unpainted hard surfaces	grills, driveways, concrete or brick walkways, unpainted brick or stucco
White	40° 	cleaning of painted or delicate surfaces	Auto/RV, marine, wood, painted brick and stucco, vinyl, painted siding
Black	low pressure 	applies cleaning solutions	Low pressure spray is safe on all surfaces. Always verify compatibility of cleaning solution prior to use.

\* **⚠ CAUTION:** The high pressure spray from your pressure washer is capable of causing damage to surfaces such as wood, glass, automobile paint, auto stripping and trim, and delicate objects such as flowers and shrubs. Before spraying, check the item to be cleaned to assure yourself that it is strong enough to resist damage from the force of the spray.

1. Pull quick-connect coupler back and insert nozzle.
2. Release quick-connect coupler and twist nozzle to make sure it is secure in coupler.



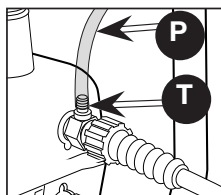
**⚠ WARNING:** Flying object could cause risk of serious injury. Ensure nozzle is completely inserted in quick-connect socket and quick-connect snap ring is fully engaged (forward) before squeezing gun trigger.

### How to Apply Chemicals/cleaning Solvents

Applying chemicals or cleaning solvents is a low pressure operation. **NOTE:** Use only soaps and chemicals designed for pressure washer use. **Do not use bleach.**

#### To Apply Chemicals:

1. **Press chemical hose (P)** onto barbed fitting (T) located near high pressure hose connection of pump as shown.
2. **Place other end** of chemical hose with filter on it into container holding chemical/cleaning solution. **NOTE:** For every 7 gallons of water pumped 1 gallon of chemical/cleaning solution will be used.
3. **Install low pressure (black) nozzle** into quick connect fitting of spray wand, see **How To Use Spray Wand** paragraph in this section.
4. **After use of chemicals**, place chemical hose into container of clean water and draw clean water through chemical injection sys-



tem to rinse system thoroughly. If chemicals remain in the pump it could be damaged. Pumps damaged due to chemicals will not be covered under warranty.

**NOTE:** Chemicals and soaps will not siphon when spray wand is in the high pressure setting.

**⚠ WARNING:** To reduce the risk of injury, read the pressure washer instruction manual and the engine instruction manual before starting pressure washer.

**⚠ DANGER:** Risk of fluid injection and laceration. When using the high-pressure setting, **DO NOT** allow the high-pressure spray to come in contact with unprotected skin, eyes, or with any pets or animals. **Serious injury will occur.**

- Your washer operates at fluid pressures and velocities high enough to penetrate human and animal flesh, which could result in amputation or other serious injury. Leaks caused by loose fittings or worn or damaged hoses can result in injection injuries. **DO NOT TREAT FLUID INJECTION AS A SIMPLE CUT!** See a physician immediately!

**⚠ WARNING:** Risk of Fire, Asphyxiation and Burn. **Never fill fuel tank when engine is running or hot. Do not smoke when filling fuel tank.**

- **NEVER** fill fuel tank completely. Fill tank to 1/2" (12.7 mm) below bottom of filler neck to provide space for fuel expansion. Wipe any fuel spillage from engine and equipment before starting engine.
- **NEVER** run engine indoors or in enclosed, poorly ventilated areas. Engine exhaust contains carbon monoxide, an odorless and deadly gas.

- DO NOT let hoses come in contact with very hot engine muffler during or immediately after use of your pressure washer. Damage to hoses from contact with hot engine surfaces will NOT be covered by warranty.

**CAUTION:** Risk of property damage. NEVER pull water supply hose to move pressure washer. This could damage hose and/or pump inlet.

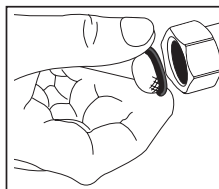
- DO NOT use hot water, use cold water only.
- NEVER turn water supply off while pressure washer engine is running or damage to pump will result.
- DO NOT stop spraying water for more than two minutes at a time. Pump operates in bypass mode when spray gun trigger is not pressed. If pump is left in bypass mode for more than two minutes internal components of the pump can be damaged.

If you do not understand these precautions, please call **1-800-544-6986** to speak to a service representative for further instructions.

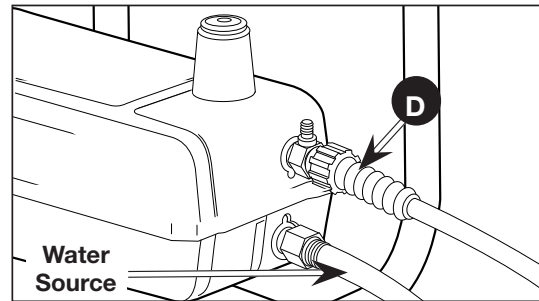
## STARTING

Prior to starting, refer to your engine manual for proper starting procedure.

1. In a well ventilated outdoor area add fresh, high quality, unleaded gasoline with a pump octane rating of 86 or higher. Do not overfill. Wipe up spilled fuel before starting the engine. Refer to Engine Owners Manual for correct procedure.
2. Check engine oil level. See Engine Owners Manual for correct procedure.
3. Connect the water hose to the water source. Turn the water source on to remove all air from the hose. When a steady stream of water is present, turn the water source off.
4. Verify the filter screen is in water inlet of pump. **NOTE:** Cone side faces out.



5. Connect water source to pump inlet. **NOTE:** Water source must provide a minimum of 5 gallons (18.9 liters) per minute at 20 psi (137.9 kPa).

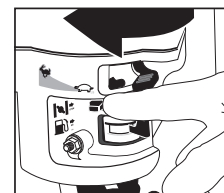
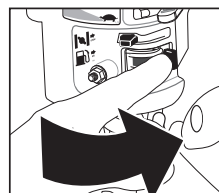
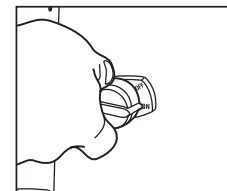


**⚠ WARNING:** To reduce the possibility of contamination always protect against backflow when connected to a potable water system.

6. Connect high pressure hose to pump outlet.
7. If applying a chemical or cleaning solution, see How To Apply Chemicals/Cleaning Solvents instructions in this section.
8. Turn water source on.

**CAUTION:** Risk of property damage. Failure to do so could cause damage to the pump.

9. Remove all air from the pump and high pressure hose by depressing trigger until a steady stream of water is present.
10. Turn the engine ON/OFF switch (H) to the ON position.
11. Place the fuel valve lever (M) in the ON position.
12. If the engine is cold, move the choke (L) to the CLOSED position as shown.



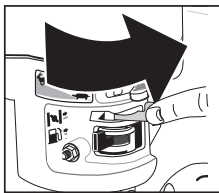
13. **⚠ WARNING: Risk of unsafe operation. Pull starter grip slowly until resistance is felt. Then pull starter grip (I) rapidly to avoid kickback and prevent hand or arm injury.**

**NOTE:** Do not allow the starter grip to snap back. Return it gently by hand.

**⚠ WARNING: Risk of unsafe operation.** If engine does not start after two pulls, squeeze trigger of gun to relieve pump pressure. Pull starter cord slowly until resistance is felt. Then pull cord rapidly to avoid kickback and prevent hand or arm injury.

**NOTE:** If the oil level in the engine is low, the engine will not start. If the engine does not start, check the oil level and add oil as needed.

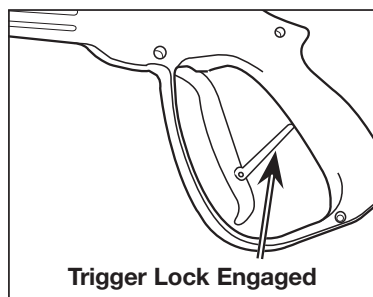
14. As the engine warms up, move the choke to the OPEN position.
15. Depress trigger on gun to start water flow.



**⚠ WARNING: Risk of unsafe operation. Stand on a stable surface and grip gun/spray wand firmly with both hands. Expect the gun to kick when triggered.**

16. Release trigger to stop water flow.

**⚠ DANGER: Risk of injury from spray. Always engage the trigger lock when gun is not in use. Failure to do so could cause accidental spraying.**



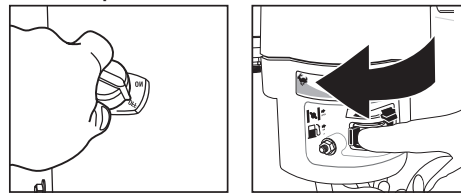
17. **Adjust nozzle spray for the task being performed. See How To Use Wand instructions in this section.**

## SHUTTING DOWN

1. **After each use, if you have applied chemicals, place chemical hose into container of clean water and draw clean water through chemical injection system to rinse system thoroughly.**

**CAUTION: Risk of property damage. Failure to do so could cause damage to the pump.**

2. Place the engine ON/OFF switch to the OFF Position.
3. Place the fuel valve lever (M) in the OFF position.



**CAUTION: Risk of property damage. NEVER turn the water off with the engine running.**

4. Turn water source off.
5. Pull trigger on spray gun to relieve any water pressure in hose or spray gun.
6. See Storage section in this manual for proper storage procedures.

## MAINTENANCE

**⚠ WARNING: Risk of burn hazard. When performing maintenance, you may be exposed to hot surfaces, water pressure or moving parts that can cause serious injury or death.**

**⚠ WARNING: Risk of fire hazard. Always disconnect, spark plug wire, let the engine cool and release all water pressure before performing any maintenance or repair. The engine contains flammable fuel. Do not smoke or work near open flames while performing maintenance.**

To ensure efficient operation and longer life of your pressure washer, a routine maintenance schedule should be prepared and followed. If the pressure washer is used in unusual conditions, such as high-temperatures or dusty conditions, more frequent maintenance checks will be required.

## Engine

Consult the Engine Owners Manual for the manufacturer's recommendations for any and all maintenance.

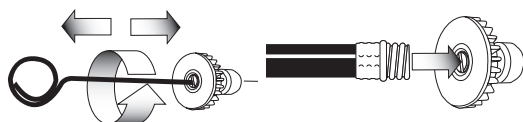
## Pump

The pump on this unit is maintenance free and requires no oil, if there is a problem with the pump contact an Authorized Service Center.

## Nozzle Cleaning

If the nozzle becomes clogged with foreign materials, such as dirt, excessive pressure may develop. If the nozzle becomes partially clogged or restricted, the pump pressure will pulsate. Clean the nozzle immediately using the nozzle kit supplied and the following instructions:

1. Shut off the pressure washer and turn off the water supply.
2. Pull trigger on gun handle to relieve any water pressure.
3. Disconnect the spray wand from the gun.
4. Remove the high-pressure nozzle from the spray wand. Remove any obstructions with the nozzle cleaning tool provided and backflush with clean water.

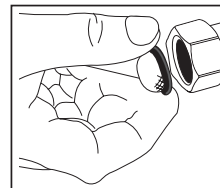


5. Direct water supply into spray wand to backflush loosened particles for 30 seconds.
6. Reassemble the nozzle to the wand.
7. Reconnect spray wand to gun and turn on water supply.
8. Start pressure washer and place spray wand into high pressure setting to test.

## How to Clean the Water Inlet Filter

This screen filter should be checked periodically and cleaned if necessary.

1. **Remove filter** by grasping end and removing it from water inlet of pump as shown.



2. **Clean filter** by flushing it with water on both sides.
3. **Re-insert filter** into water inlet of pump. **NOTE:** Cone side faces out.

**NOTE:** Do not operate pressure washer without filter properly installed.

## STORAGE

### Engine

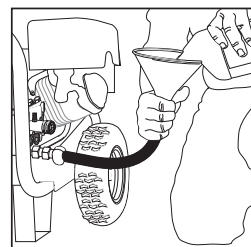
Consult the Engine Owners Manual for the manufacturer's recommendations for storage.

### Pump

The manufacturer recommends using a pump protector/winterizer when storing the unit for more than 30 days and/or when freezing temperatures are expected. A pump protector/winterizer is available at the store where the pressure washer was purchased. If a pump protector/winterizer is not available, RV antifreeze needs to be run through the pump as outlined in the steps below.

**NOTE:** Using a pump protector/winterizer or RV antifreeze is to provide proper lubrication to the internal seals of the pump regardless of temperature or environment.

1. Obtain a funnel, 6 oz. (170 mL) of RV antifreeze and 16–36" (40–91cm) of garden hose with a male hose connector attached to one end.



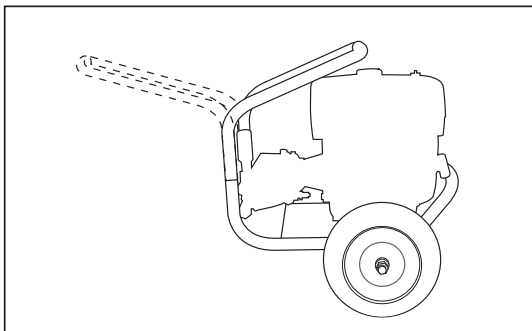
**CAUTION:** Risk of property damage. Use only RV antifreeze. Any other antifreeze is corrosive and can damage pump.

2. Disconnect spark plug wire.
3. Connect length of garden hose to water inlet of pump.

4. Add RV antifreeze to hose as shown.
5. Pull engine starter rope slowly several times until antifreeze comes out of high-pressure hose connection of pump.
6. Remove garden hose from water inlet of pump.
7. Reconnect spark plug wire.

### Pressure Washer

1. Drain all water from high pressure hose, coil it, and store it in cradle of the pressure washer handle.
2. Drain all water from spray gun and wand by holding spray gun in a vertical position with nozzle end pointing down and squeezing trigger. Store in gun holder.
3. Store chemical hose so it is protected from damage.
4. If space is needed, remove handles and replace as shown.



### ACCESSORIES

**⚠ DANGER: Risk of fluid injection.** When using replacement lances or guns with this pressure washer, **DO NOT** use a lance and/or lance/gun combination that is shorter in length than what was provided with this pressure washer as measured from the nozzle end of the lance to the gun trigger.

**CAUTION:** The use of any other accessory not recommended for use with this tool could be hazardous. Use only accessories rated equal to or greater than the rating of the pressure washer.

### SPECIFICATIONS

<b>Model</b>	<b>BDP3100</b>
PSI Max*	3100 (21374 kPa)
Operating PSI	2790 (19236 kPa)
GPM Max*	2.6
Operating GPM	2.34

\* Water flow and maximum pressure ratings determined in accordance with PWMA standard PW101.

### SERVICE INFORMATION

**Do not return this product to your retailer.** Black & Decker offers a full network of company-owned and authorized service locations throughout North America. All Black & Decker Service Centers are staffed with trained personnel to provide customers with efficient and reliable power tool service.

Whether you need technical advice, repair, or genuine factory replacement parts, contact the Black & Decker location nearest you.

To find your local service location, refer to the yellow page directory under “Tools—Electric” or call: **1-800-544-6986**.

### TWO-YEAR HOME USE WARRANTY WARRANTY ON PRODUCT COMPONENTS EXCLUDING PUMP

Black & Decker (U.S.) Inc. warrants to the original purchaser that the frame, wheels, gun, hose, wand, spray nozzle(s) and other components of the Black & Decker pressure washers covered under this warranty are free from defects in material and workmanship for two year from the date of purchase.

#### WARRANTY ON PUMP

Black & Decker warrants to the original purchaser that the pump of the Black & Decker pressure washers covered under this warranty is free from defects in material and workmanship for two years from the date of purchase. The two year limited warranty applies to the pump only. Black & Decker will repair or replace, at Black & Decker's option, products or components which have failed within the above warranty periods. Service will be scheduled according to the normal work flow and business hours at the service center location, and the availability of replacement

parts. All decisions of Black & Decker with regard to this limited warranty shall be final. This warranty gives you specific legal rights, and you may also have other rights which vary from state to state.

**RESPONSIBILITY OF ORIGINAL PURCHASER (Initial User):**

- To process a warranty claim on your Black & Decker pressure washer, return it to the place of purchase.
- Retain original cash register sales receipt as proof of purchase for warranty work.
- Use reasonable care in the operation and maintenance of the product as described in the Owners Manual(s).

**THIS WARRANTY DOES NOT COVER:**

- Merchandise sold as reconditioned, used as rental equipment, or floor or display models.
- Merchandise that has become damaged or inoperative because of ordinary wear, misuse, cold, heat, rain, excessive humidity, freeze damage, use of improper chemicals, negligence, accident, failure to operate the product in accordance with the instructions provided in the Owners Manual(s) supplied with the product, improper maintenance, the use of accessories or attachments not recommended by Black & Decker, or unauthorized repair or alterations.
- Repair and transportation costs of merchandise determined not to be defective.
- Costs associated with assembly, required oil, adjustments or other installation and start-up costs.
- Expendable parts or accessories supplied with the product which are expected to become inoperative or unusable after a reasonable period of use, including but not limited to springs, nozzles, o-rings, washers, and similar accessories.
- Merchandise sold by Black & Decker which has been manufactured by and identified as the product of another company, such as gasoline engines. The product manufacturer's warranty, if any, will apply.

- **ANY INCIDENTAL, INDIRECT OR CONSEQUENTIAL LOSS, DAMAGE, OR EXPENSE THAT MAY RESULT FROM ANY DEFECT, FAILURE OR MALFUNCTION OF THE PRODUCT IS NOT COVERED BY THIS WARRANTY.** Some states do not allow the exclusion or limitation of incidental or consequential damages, so the above limitation or exclusion may not apply to you.
- **IMPLIED WARRANTIES, INCLUDING THOSE OF MERCHANTABILITY OR FITNESS FOR A PARTICULAR PURPOSE, ARE LIMITED TO TWO YEAR FROM THE DATE OF ORIGINAL PURCHASE.** Some states do not allow limitations on how long an implied warranty lasts, so the above limitations may not apply to you.

Black & Decker (U.S.) Inc.,  
701 E. Joppa Rd.  
Towson, MD 21286 U.S.A.

See 'Tools-Electric'  
- Yellow Pages -  
for Service & Sales





## TROUBLE SHOOTING GUIDE

PROBLEM	CAUSE	CORRECTION
Engine will not start (see Engine Manual for further engine trouble-shooting)	No fuel.	Add Fuel.
	Pressure builds up after two pulls on the recoil starter or after initial use.	Squeeze gun trigger to relieve pressure.
	Choke lever in the "No Choke" position.	Move choke to the "Choke" position.
	Spark plug wire not attached.	Attach spark plug wire.
	Engine switch in OFF position.	Place engine switch in on position.
	Choke lever in the "Choke" position on a "hot" engine or an engine that has been exposed to thermal heat for a long period of time.	Move choke to the "No Choke" position.
	Fuel valve closed.	Move the fuel valve lever to the OPEN position.
No or low pressure (initial use)	Spray wand not in high pressure.	See How to <b>Use Spray Wand</b> instructions in the <i>Operation</i> Section.
	Low water supply.	Water supply must be at least 5 GPM @ 20 psi.
	Leak at high pressure hose fitting.	Repair leak. Apply sealant tape if necessary.
	Nozzle obstructed.	See <b>Nozzle Cleaning</b> instructions in the <i>Maintenance</i> section.
	Water filter screen clogged.	Remove and clean filter.
No or low pressure (initial use)	Air in hose.	Turn off the engine, then the water source. Disconnect the water source from the pump inlet and turn the water source on to remove all air from the hose. When there is a steady stream of water present, turn water source off. Re-connect water source to pump inlet and turn on water source. Squeeze trigger to remove remaining air
	Choke in the "Choke" position.	Move choke to the "No Choke" position.
	High pressure hose is too long.	Use high pressure hose under 100 feet (30 m).

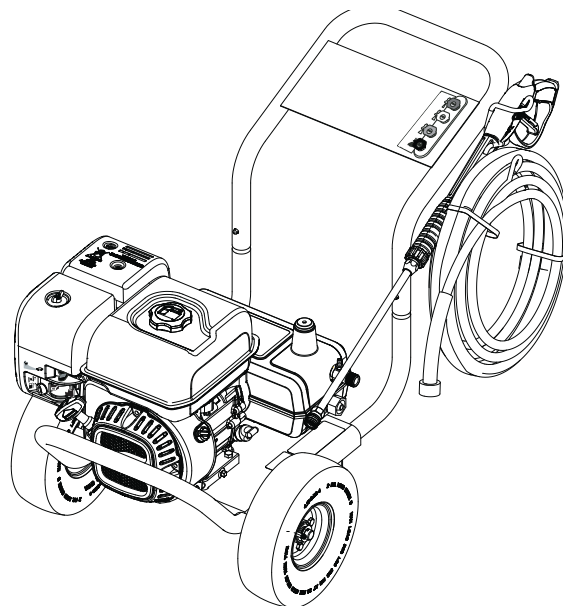
<b>PROBLEM</b>	<b>CAUSE</b>	<b>CORRECTION</b>
Will not draw chemicals	Spray wand not in low pressure.	See How to <b>Use Spray Wand</b> paragraph in the <i>Operation</i> Section.
	Chemical filter clogged.	Clean filter.
	Chemical screen not in cleaning solution.	Make sure end of chemical hose is fully submerged into cleaning solution.
	Chemical too thick.	Dilute chemical. Chemical should be the same consistency as water.
	Pressure hose is too long	Lengthen water supply hose instead of high pressure hose.
	Chemical build up in chemical injector.	Contact B&D Customer Service Representative at 1-800-544-6986.
No or low pressure (after period of normal use)	Worn seal or packing	Contact B&D Customer Service Representative at 1-800-544-6986.
	Worn or obstructed valves.	Contact B&D Customer Service Representative at 1-800-544-6986.
	Worn unloader piston.	Contact B&D Customer Service Representative at 1-800-544-6986.
Water leaking at gun/spray wand connection	Worn or broken o-ring.	Check and replace.
	Loose hose connection.	Tighten.
Water leaking at pump	Loose connections.	Tighten.
	Piston packings worn.	Contact B&D Customer Service Representative at 1-800-544-6986.
	Worn or broken o-rings.	Contact B&D Customer Service Representative at 1-800-544-6986.
	Pump head or tubes damaged from freezing.	Contact B&D Customer Service Representative at 1-800-544-6986.
Pump Pulsates	Nozzle obstructed.	See <b>Nozzle Cleaning</b> paragraph in the <i>Maintenance</i> section for the correct procedure.



Laveuse à pression

No de catalogue BDP3100

# MANUEL D'UTILISATION



MERCI D'AVOIR CHOISI BLACK & DECKER !  
VISITEZ [www.BLACKANDDECKER.COM/NEWOWNER](http://www.BLACKANDDECKER.COM/NEWOWNER)  
POUR ENREGISTRER VOTRE NOUVEAU PRODUIT.

**AVANT DE RETOURNER CE PRODUIT POUR  
QUELQUE RAISON QUE CE SOIT, COMPOSER LE**

**1-800-544-6986**

AVANT D'APPELER, AYEZ EN MAIN LE N° DE CATALOGUE ET LE CODE DE DATE. DANS LA PLUPART DES

CAS, UN REPRÉSENTANT DE BLACK & DECKER PEUT RÉSOUDRE LE PROBLÈME PAR

TÉLÉPHONE. SI VOUS AVEZ UNE SUGGESTION OU UN COMMENTAIRE, APPELÉZ-NOUS. VOS

IMPRESSIONS SONT CRUCIALES POUR BLACK & DECKER.

## MESURES DE SÉCURITÉ - DÉFINITIONS

Ce guide contient des renseignements importants que vous deviez bien saisir. Cette information porte sur **VOTRE SÉCURITÉ** et sur **LA PRÉVENTION DE PROBLÈMES D'ÉQUIPEMENT**. Afin de vous aider à identifier cette information, nous avons utilisé les symboles ci-dessous. Veuillez lire attentivement ce guide en portant une attention particulière à ces symboles.

**⚠ DANGER:** indique une situation dangereuse imminente qui, si elle n'est pas évitée, **causera la mort ou des blessures graves**.

**⚠ AVERTISSEMENT :** indique une situation potentiellement dangereuse qui, si elle n'est pas évitée, **pourrait causer la mort ou des blessures graves**.

**⚠ ATTENTION :** indique une situation potentiellement dangereuse qui, si elle n'est pas évitée, **peut causer des blessures mineures ou modérées**.

**ATTENTION :** utilisé sans le symbole d'alerte de sécurité, indique une situation potentiellement dangereuse qui, si elle n'est pas évitée, **peut se solder par des dommages à la propriété**.

## RENSEIGNEMENTS SUR LA SÉCURITÉ DU CONSOMMATEUR

**⚠ AVERTISSEMENT:** Il se peut que ce produit ne soit pas équipé d'un silencieux à pare-étincelles. Si le produit n'en est pas équipé, et s'il est utilisé près de matériaux inflammables ou sur de la terre couverte de produits agricoles, forêts, broussailles, gazon ou autres articles semblables, un pare-étincelles approuvé doit être posé, et est exigé par la loi en Californie. Selon la section 130050 de la loi de la Californie, et les sections 4442 et 4443 du Code sur les ressources publiques de la Californie, ce produit ne peut pas être utilisé en Californie, à moins que le moteur ne soit équipé d'un pare-étincelles, tel que décrit dans la section 4442, et à moins que l'appareil ne soit maintenu en bon état de fonctionnement. Des pare-étincelles sont également requis sur certaines terres forestières des États-Unis et peuvent être exigés légalement sous certains autres lois et arrêtés.

**⚠ AVERTISSEMENT:** Ce produit contient des produits chimiques, reconnus par l'État de la Californie comme étant cancérigènes et pouvant entraîner des anomalies congénitales et d'autres dangers relatifs à la reproduction. Se laver les mains après la manipulation de l'appareil.

## MESURES DE SÉCURITÉ IMPORTANTES

**⚠ AVERTISSEMENT:** N'utilisez pas cet appareil avant d'avoir lu et compris les instructions sur la sécurité, l'utilisation et l'entretien de ce Guide de l'utilisateur et du Guide du propriétaire du moteur.

# LISEZ ET CONSERVEZ CES INSTRUCTIONS



**⚠ DANGER: RISQUE D'EXPLOSION OU D'INCENDIE**

## CE QUI PEUT SE PRODUIRE

## COMMENT L'ÉVITER

- |  |  |
|--|--|
| <ul style="list-style-type: none"><li>• Les cigarettes, étincelles, arc électrique, gaz d'échappement et des parties chaudes du moteur telles qu'un silencieux peuvent enflammer l'essence déversée et ses vapeurs.</li></ul>  | <ul style="list-style-type: none"><li>• Éteindre le moteur et le laisser refroidir avant de remplir le réservoir d'essence</li><li>• Être attentif et éviter de déverser de l'essence lors du remplissage du réservoir. Éloigner la laveuse haute pression de la zone de ravitaillement avant de démarrer le moteur.</li></ul> |
| <ul style="list-style-type: none"><li>• Le combustible du réservoir se dilate sous l'effet de la chaleur et pourrait se solder par un déversement et un incendie ou une explosion.</li></ul>   | <ul style="list-style-type: none"><li>• Laisser environ 12,7 mm (1/2 po) de dégagement sous le bord du goulot de remplissage pour permettre l'expansion de l'essence.</li></ul>  |
| <ul style="list-style-type: none"><li>• Le fonctionnement de la laveuse haute pression dans un milieu explosif pourrait se solder par un incendie.</li></ul>   | <ul style="list-style-type: none"><li>• Utiliser et faire le plein d'essence de l'équipement dans des zones bien dégagées de tout obstacle. Installer un extincteur adéquat dans les zones de travail pour combattre les incendies à base d'essence.</li></ul>   |
| <ul style="list-style-type: none"><li>• Du matériel déposé contre ou près de la laveuse haute pression peut interférer avec les fonctionnalités d'aération de l'équipement et provoquer une surchauffe et l'allumage du matériel (risque d'incendie).</li></ul>  | <ul style="list-style-type: none"><li>• Ne jamais utiliser la laveuse haute pression dans une zone avec arbustes ou broussailles secs.</li></ul>   |
| <ul style="list-style-type: none"><li>• La chaleur de l'échappement du silencieux peut endommager des surfaces peintes, faire fondre tout type de matériel sensible à la chaleur (comme du revêtement extérieur, plastique, caoutchouc, vinyle ou même le tuyau haute pression) et nuire aux plantes vivantes.</li></ul> | <ul style="list-style-type: none"><li>• Toujours éloigner la laveuse haute pression d'au moins 1,2 m (4 pi) de toutes surfaces (telles que des maisons, voitures, ou des plantes vivantes) qui pourraient être endommagées par la chaleur s'échappant du silencieux.</li></ul>   |
| <ul style="list-style-type: none"><li>• De l'essence mal entreposée pourrait provoquer un allumage (incendie) accidentel. Ranger l'essence de façon sécuritaire pour en empêcher l'accès aux enfants et à toutes autres personnes non qualifiées.</li></ul>  | <ul style="list-style-type: none"><li>• Entreposer l'essence dans un contenant homologué par la Loi sur la santé et la sécurité du travail dans un emplacement sécuritaire loin de la zone de travail.</li></ul>   |
| <ul style="list-style-type: none"><li>• L'utilisation d'acides, de produits chimiques toxiques ou corrosifs, de poisons, d'insecticides ou de toute sorte de solvant inflammable dans ce produit pourrait provoquer des blessures graves ou la mort.</li></ul>   | <ul style="list-style-type: none"><li>• Ne pas vaporiser des liquides inflammables.</li></ul>  |



## **⚠ DANGER: RISQUE D'ASPHYXIE**

### **CE QUI PEUT SE PRODUIRE**

- Respirer les vapeurs d'échappement provoquera de graves blessures voire, un décès ! Les gaz d'échappement des moteurs contiennent du monoxyde de carbone, un gaz inodore et mortel.
- Certains liquides nettoyants contiennent des substances pouvant provoquer des blessures à la peau, aux yeux ou au système respiratoire.

### **COMMENT L'ÉVITER**

- Utiliser la laveuse haute pression dans une zone bien aérée. Éviter les endroits clos comme les garages, les sous-sols, etc.
- Ne jamais utiliser l'appareil dans un endroit habité par des hommes ou des animaux.
- Utiliser uniquement des liquides nettoyants spécialement recommandés pour les laveuses haute pression. Suivre les recommandations des fabricants. Ne pas utiliser de produit à blanchir au chlore ou tout autre composé corrosif.



## **⚠ DANGER: RISQUE D'INJECTION ET DE LACÉRATION**

### **CE QUI PEUT SE PRODUIRE**

- Votre laveuse haute pression fonctionne à des pressions de liquides et des vitesses suffisamment élevées pour pénétrer la peau de l'homme et animale, ce qui pourrait se solder par une amputation ou autre blessure grave. Des fuites provoquées par des raccords lâches ou des tuyaux usés ou endommagés peuvent se solder par des blessures par injection. **NE PAS TRAITER UN INJECTION DE LIQUIDE COMME UNE SIMPLE COUPURE !** Consulter un médecin immédiatement !

### **COMMENT L'ÉVITER**

- Inspecter périodiquement le tuyau haute pression. Remplacer immédiatement le tuyau s'il est endommagé, usé, s'il a fondu en contact avec le moteur ou s'il démontre un signe de fissure, des bulles, des trous d'épingle ou toute autre fuite. Ne jamais saisir un tuyau haute pression qui fuit ou est endommagé.
- Ne jamais toucher, saisir ou essayer de couvrir un trou minuscule ou toute autre fuite similaire sur le tuyau haute pression. Le jet d'eau EST sous haute pression et PÉNÉTRERA la peau.
- Ne jamais mettre les mains devant l'embouchure.
- Éloigner le jet, ne pas le diriger vers soi-même ou autrui.
- S'assurer que le tuyau et les raccords sont serrés et en bon état. Ne jamais s'agripper au tuyau ou aux raccords en cours de fonctionnement.
- Ne pas mettre le tuyau en contact avec le silencieux.
- Ne jamais attacher ou retirer le tube ou les raccords du tuyau avec le système sous pression.

- Il y a risque de blessures si la pression n'est pas réduite avant d'essayer de procéder à un entretien ou un démontage.
- Pour décompresser le système, éteindre le moteur, fermer l'alimentation en eau et enclencher la détente du pistolet jusqu'à l'arrêt complet de l'écoulement d'eau.
- Utiliser uniquement des tuyaux et accessoires classés pour des pressions plus élevées que le psi de la laveuse haute pression.



### **⚠ DANGER: RISQUE DE BLESSURE PAR JET**

#### **CE QUI PEUT SE PRODUIRE**

- Un jet de liquide à haute vitesse peut briser des objets et projeter les éclats à haute vitesse.
- Des objets légers ou mal fixés peuvent se transformer en projectiles dangereux.

#### **COMMENT L'ÉVITER**

- Toujours porter des lunettes de sécurité conformes à la norme ANSI Z87.1
- Porter des vêtements protecteurs pour se protéger de jets accidentels.
- Ne jamais diriger la lance ou le jet vers une personne ou des animaux.
- Toujours fixer solidement le verrou de la détente lorsque le tube pulvérisateur est inutilisé pour empêcher tout fonctionnement accidentel.
- Ne jamais fixer, de façon permanente, la détente en position arrière (ouverte).



### **⚠ DANGER: RISQUE D'UTILISATION DANGEREUSE**

#### **CE QUI PEUT SE PRODUIRE**

- Une utilisation dangereuse de la laveuse haute pression pourrait provoquer de graves blessures, voire son propre décès ou celle d'autres personnes.

#### **COMMENT L'ÉVITER**

- Ne pas utiliser de produit à blanchir au chlore ou tout autre composé corrosif.
- Se familiariser avec le fonctionnement et les commandes de la laveuse haute pression.
- Tenir la zone de travail exempte de toutes personnes, animaux et obstacles.
- Ne pas utiliser le produit en cas de fatigue ou sous l'emprise d'alcool ou de drogues. Rester vigilant en tout temps.
- Ne jamais rendre inopérant les caractéristiques de sécurité du produit.
- Ne pas utiliser l'appareil avec des pièces manquantes, brisées ou non autorisées.
- Ne jamais laisser le tube pulvérisateur sans surveillance lors du fonctionnement de l'appareil.

- Suivre la procédure de démarrage correcte pour éviter l'effet de rebond moteur qui provoquerait ainsi une blessure grave à la main ou au bras..
- Si le moteur ne démarre pas après deux tentatives, appuyer sur la détente du pistolet pour décompresser la pompe. Tirer délicatement la corde du démarreur jusqu'à obtention d'une résistance. Puis tirer rapidement sur celui-ci pour éviter l'effet de rebond moteur et empêcher toute blessure à la main ou au bras.
- Le pistolet et le tube de pulvérisation sont des outils de nettoyage puissants qui ressemblent à un jouet pour un enfant.
- Garder la laveuse haute pression hors de portée des enfants en tout temps.
- Le pistolet et le tube de pulvérisation réagissent à la pression du jet et provoqueront un effet de rebond qui pourrait faire glisser, ou tomber, l'opérateur ou rediriger le jet. Une maîtrise imparfaite du pistolet et de la lance peut provoquer des blessures à soi même et à autrui.
- Ne pas trop tendre les bras ou se tenir debout sur une surface instable.
- Ne pas utiliser une laveuse haute pression debout sur une échelle.
- Saisir solidement à deux mains le pistolet/tube de pulvérisation. S'attendre à un effet de rebond lors de l'enclenchement de la détente.



**⚠ DANGER: RISQUE DE BLESSURE OU DE DOMMAGE À LA PROPRIÉTÉ LORS DU TRANSPORT OU DU RANGE-MENT**

**CE QUI PEUT SE PRODUIRE**

- Il y a risque de fuite ou de déversement d'essence ou d'huile qui pourrait se solder par un incendie ou des problèmes respiratoires, des blessures graves, voire la mort. Des fuites d'essence ou d'huile endommageront les tapis, peinture ou toutes autres surfaces de véhicules ou de remorques.

**COMMENT L'ÉVITER**

- Si la laveuse haute pression est dotée d'une soupape d'arrêt, fermer la soupape d'arrêt avant le transport pour éviter toute fuite d'essence. S'il n'y a pas de soupape d'arrêt, purger l'essence du réservoir avant le transport. Transporter l'essence uniquement dans un contenant homologué par la Loi sur la santé et la sécurité du travail. Toujours installer la laveuse haute pression sur un revêtement protecteur lors du transport pour protéger le véhicule de tout dommage de fuites. Retirer immédiatement la laveuse haute pression du véhicule dès l'arrivée à destination.





## AVERTISSEMENT: RISQUE D'ÉCLATEMENT

### CE QUI PEUT SE PRODUIRE

- Des pneus surgonflés pourraient provoquer des blessures graves et des dommages à la propriété.

### COMMENT L'ÉVITER

Utiliser un manomètre pour vérifier la pression des pneus avant chaque utilisation et lors du gonflage; consulter le flanc de pneu pour obtenir la pression correcte. **REMARQUE** : des réservoirs d'air, des compresseurs et d'autres appareils similaires utilisés pour gonfler les pneus peuvent remplir de petits pneus à ces pressions très rapidement. Régler le régulateur de pression d'air à une pression moindre que celle indiquée sur le pneu. Ajouter l'air par petite quantité et utiliser fréquemment le manomètre pour empêcher un surgonflage.

- Tout liquide pulvérisé à haute vitesse directement sur les flancs des pneus (comme ceux que l'on retrouve sur les voitures, remorques et autres véhicules semblables) risque d'endommager les flancs et d'entraîner des blessures graves.
- Avec les laveuses haute pression cotées au-dessus de 110 bars (1 600 psi), utiliser le jet en éventail le plus large (buse de 40°) et maintenir le jet à au moins 200 mm (8 po) des flancs des pneus. Ne pas diriger le jet directement sur le joint séparant le pneu et la jante.



## AVERTISSEMENT: ATTENTION SURFACES CHAUDES

### CE QUI PEUT SE PRODUIRE

- Le contact de surfaces chaudes comme les composants d'échappement moteur, pourrait provoquer des brûlures graves

### COMMENT L'ÉVITER

En cours de fonctionnement, ne toucher que les surfaces de commande de la laveuse haute pression. Tenir en tout temps les enfants à l'écart de la laveuse haute pression. Ils n'ont pas assez de jugement pour reconnaître les dangers inhérents au produit.



## AVERTISSEMENT: RISQUE DE BRÛLURE CHIMIQUE

### CE QUI PEUT SE PRODUIRE

- L'utilisation d'acides, de produits chimiques toxiques ou corrosifs, de poisons, d'insecticides, ou de tout type de solvant inflammable avec le produit risque de se solder par des blessures graves, voire la mort.

### COMMENT L'ÉVITER

- Ne pas utiliser d'acides, d'essence, de kérosène ou tout autre matériel inflammable avec ce produit. Utiliser uniquement des détergents domestiques, des nettoyeurs et dégraissants recommandés pour les laveuses haute pression.
- Porter des vêtements protecteurs pour protéger les yeux et la peau contre le contact avec les matériaux sous pression.



## ⚠ AVERTISSEMENT: RISQUE DE CHOC ÉLECTRIQUE

### CE QUI PEUT SE PRODUIRE

- Un jet en direction de prises électriques ou d'interrupteurs ou tout objet branché à un circuit électrique pourrait se solder par un choc électrique..

### COMMENT L'ÉVITER

- Débrancher tout produit fonctionnant à l'électricité avant d'essayer de le nettoyer. Éloigner le jet des prises électriques et interrupteurs.



## ⚠ AVERTISSEMENT: RISQUE DE BLESSURE EN SOULEVANT LE PRODUIT

### CE QUI PEUT SE PRODUIRE

- Essayer de soulever un objet trop lourd peut se solder par de graves blessures.

### COMMENT L'ÉVITER

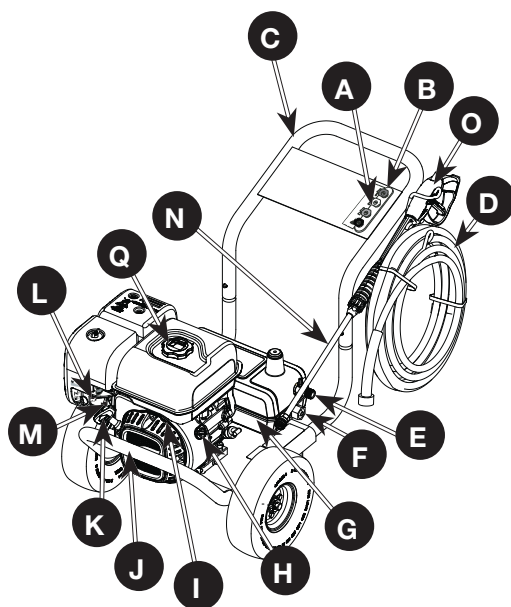
- La laveuse haute pression est trop lourde pour être soulevée par une seule personne. Demander de l'aide avant de la soulever.

## LISEZ ET CONSERVEZ CES INSTRUCTIONS

**REMARQUE :** Les photos et les schémas figurant dans ce guide sont incorporés à titre de référence seulement et ne représentent pas un modèle particulier.

## MIEUX CONNAÎTRE LA LAVEUSE HAUTE PRESSION

Comparez les illustrations avec votre appareil afin de vous familiariser avec l'emplacement des commandes et des réglages. Conservez ce guide pour les références futures.



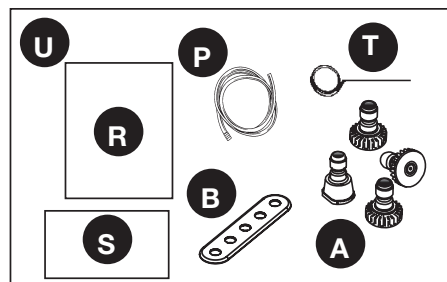
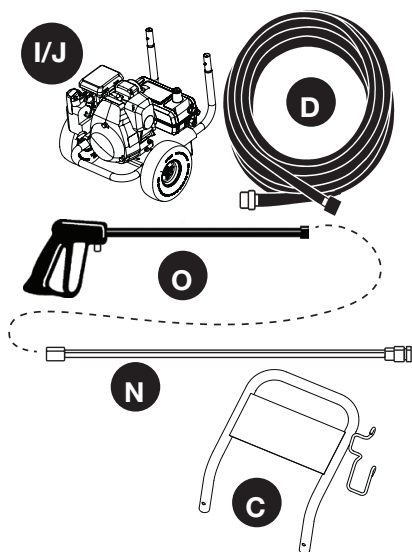
- A. Buses à connexion rapide
- B. Porte-buses

- C. Poignée
- D. Boyau à haute pression : Achemine l'eau sous pression de la pompe vers le pistolet et la lance de vaporisation.
- E. Sortie de la pompe
- F. Orifice d'admission de la pompe
- G. Pompe à haute pression: Augmente la pression de la source d'eau.
- H. Interrupteur MARCHÉ/ARRÊT du moteur : Met en fonction ou hors fonction le système d'allumage.
- I. Moteur : Entraîne la pompe à haute pression. Refer to the engine manual for location and operation of engine controls.
- J. Cadre
- K. Poignée du démarreur : Tirer sur la poignée du démarreur fait fonctionner le démarreur à rappel pour démarrer le moteur.
- L. Commande d'étrangleur : Ouvre et ferme la soupape de l'étrangleur dans le carburateur.
- M. Levier de la soupape de carburant : Ouvre et ferme la connexion entre le réservoir de carburant et le carburateur.

- N. Lance de vaporisation à connexion rapide : Permet à l'utilisateur de changer rapidement les buses à haute pression. Consultez la partie intitulée « **Utilisation de la lance de vaporisation** ».
- O. Pistolet de vaporisation : S'attache à la lance pour régler le débit d'eau, la direction et la pression.
- P. Boyau de produit chimique (N'est pas montré sur le schéma): Alimente les agents de nettoyage dans la pompe pour les mélanger avec l'eau. Consultez la partie intitulée « Application des produits chimiques/solvants de nettoyage » de cette section.
- Q. Remplissage de gaz

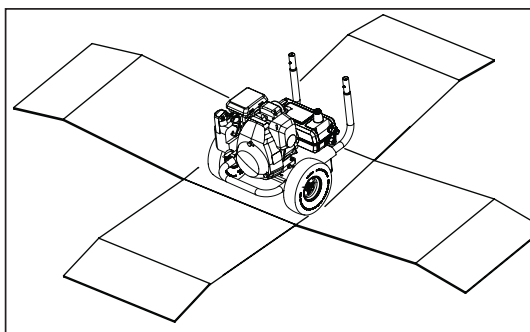
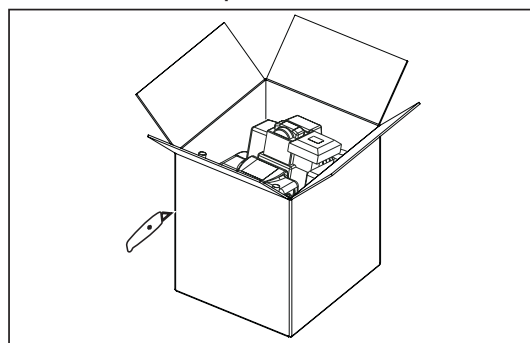
### CONTENU DE LA BOÎTE

- A. Buses à connexion rapide
- B. Porte-buses
- C. Poignée
- D. Boyau à haute pression
- I/J. Ensemble de châssis de moteur avec roues
- N. Lance à connexion rapide
- O. Pistolet de vaporisation
- P. Boyau de produit chimique
- R. Guide de l'utilisateur
- S. Guide du moteur
- T. Outil de nettoyage de buse
- U. Pièces dans un sac

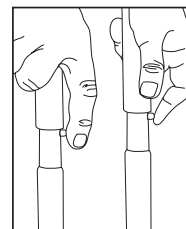


### D'ASSEMBLAGE

1. **Identifier et retirer toutes les pièces** détachées de la boîte pliante.
2. **Couper les quatre coins** de la boîte, du haut vers le bas, et mettre les côtés à plat sur le sol.

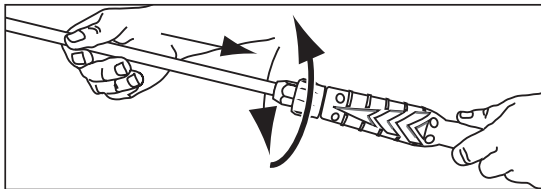


3. **Placez l'ensemble de poignée (C) sur le cadre (J)**, enfoncez les boutons-poussoirs et glissez l'ensemble de poignée dans le cadre jusqu'à ce que les boutons-poussoirs s'enclenchent dans les trous.

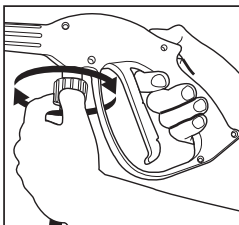


**⚠ ATTENTION: Risque de blessures corporelles. Ne pas placer les mains entre le module et le cadre pour éviter de se pincer les mains.**

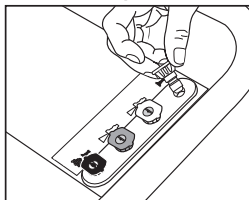
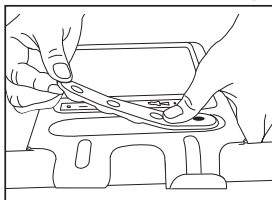
4. Attachez la lance (N) au pistolet (O) et bien serrer.



5. Attachez le boyau à haute pression (D) au pistolet (O) et bien serrer.



6. Placez le porte-buses (B) sur le panneau (situé sur l'ensemble de poignée) et poussez chaque partie du porte-buse jusqu'à ce qu'il soit en place.
7. Retirez du sac en plastique les quatre buses (A) à connexion rapide de couleurs différentes et insérez-les dans les trous appropriés du porte-buses. **REMARQUE** : Les buses sont codées par couleur selon les couleurs indiquées sur le panneau.



**REMARQUE** : La pompe haute pression a été remplie d'huile à l'usine. L'huile dans la pompe haute pression a été conçue pour durer pour toute la durée de vie de la pompe. S'il y a un problème avec la pompe, contactez un Centre de service après-vente autorisé.

8. Dégager l'appareil de l'emballage en carton et jeter celui-ci

**⚠ AVERTISSEMENT:** Risque d'éclatement. Utiliser un manomètre pour vérifier la pression des pneus avant chaque utilisation et lors du gonflage; consulter le flanc de pneu pour obtenir la pression correcte.

**REMARQUE** : Des réservoirs d'air, des compresseurs et d'autres appareils similaires utilisés pour gonfler les pneus peuvent remplir de petits pneus à ces pressions très rapidement. Régler le régulateur de pression d'air à une pres-

sion moindre que celle indiquée sur le pneu. Ajouter de l'air par petite quantité et utiliser fréquemment le manomètre pour empêcher un surgonflage .

## UTILISATION

### TERMINOLOGIE DES LAVEUSES À PRESSION

**PSI** : livres par pouce carré. Une unité de mesure de pression d'eau. Également utilisé pour la pression d'air, la pression hydraulique, etc.

**GPM** : Gallons par minute. L'unité de mesure du débit d'eau.

**CU** : Unités de nettoyage. GAL. PAR MIN. x PSI = CU

**Mode de dérivation** : Permet à l'eau de recirculer dans la pompe lorsque la détente n'est pas actionnée.

**ATTENTION:** Si vous laissez l'appareil en marche pendant plus de deux minutes sans actionner la détente, cela risque de surchauffer et d'endommager la pompe.

**Soupape de décharge thermique** (N'est pas montré sur le schéma) : Si la température dans la pompe augmente à un niveau trop élevé, la soupape s'ouvrira et émettra un jet d'eau pour abaisser la température dans la pompe. La soupape se fermera ensuite.

**Système d'injection de produit chimique** : Mélange les nettoyants ou les solvants de nettoyage avec l'eau pour augmenter l'efficacité de nettoyage.

**Source d'eau** : Toutes les laveuses à pression ont besoin d'une source d'eau. Les exigences minimums pour la source d'eau sont de 20 psi et de 19 litres (5 gallons) à la minute.

### CARACTÉRISTIQUES DE FONCTIONNEMENT DE LA LAVEUSE À PRESSION

#### Réglage de la pression

La pression est pré-réglée à l'usine afin d'obtenir une pression ainsi qu'un nettoyage optimums. La pression peut être diminuée de la façon suivante.

1. **Éloignez-vous de la surface à nettoyer.** Plus vous êtes éloigné, moins sera la pression sur la surface à nettoyer.

2. Remplacez la buse par la buse de 40° (blanche) - cette buse produit un jet d'eau moins puissant et plus large.

**⚠ ATTENTION :** NE tentez PAS d'augmenter la pression de la pompe. Une pression plus élevée que celle réglée à l'usine peut endommager la pompe.

### Utilisation de la Lance de Vaporisation

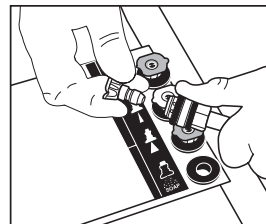
Les buses à utiliser avec la lance de vaporisation sont entreposées dans le porte-buses situé sur l'ensemble de panneau. Les couleurs sur le panneau indiquent l'emplacement des différentes buses et le type de jet. Consultez le tableau pour déterminer la buse appropriée pour le travail à effectuer.

### Changement de buse de la lance de vaporisation

**⚠ DANGER :** Risque d'injection de liquides. Ne pas diriger le jet en direction de personnes, sur la peau et les yeux sans protection ou sur des animaux. Une blessure grave se produira.

**⚠ AVERTISSEMENT :** La projection d'objets pourrait provoquer de graves blessures. NE PAS essayer de changer de buse lorsque la laveuse haute pression est en fonctionnement. Éteindre le moteur avant de changer de buse.


1. Tirez le raccord à connexion rapide vers l'arrière et insérez la buse.



2. Relâchez le raccord à connexion rapide et tournez la buse afin de vous assurer qu'elle est bien fixée dans le raccord.

**⚠ AVERTISSEMENT:** Risque d'injection d'un liquide ou de blessures corporelles. Ne dirigez jamais le jet de sortie vers une personne, vers la peau nue, vers les yeux ou vers les animaux. Cela peut causer des blessures graves.

Couleur de buse	Type de jet	Usages	Surfaces *
Rouge	0° 	jet puissant précis pour le nettoyage des taches sur des surfaces dures non peintes ou dans les zones élevées difficiles à atteindre	métal ou béton non peints; NE PAS utiliser sur le bois
Jaune	15° 	nettoyage intense de surfaces dures non peintes	grils, entrées de cour, passages piétons en béton ou briques et briques ou stuc non peints
Blanc	40° 	nettoyage de surfaces peintes ou délicates	Automobile/VR, bateau, bois, brique et stuc peints, surface en vinyle, parement peint

Couleur de buse	Type de jet	Usages	Surfaces *
Black	low pressure 	applique des solutions de nettoyage	la pulvérisation à faible pression est sécuritaire pour toutes les surfaces. toujours vérifier la compatibilité des solutions nettoyantes avant leur utilisation.
<p>* <b>⚠ ATTENTION:</b> Le jet à haute pression de la laveuse à pression est capable d'endommager les surfaces fragiles telles que le bois, le verre, la peinture d'automobiles, les garnitures d'auto ainsi que les objets délicats tels que les fleurs et arbustes. Avant de vaporiser, vérifiez l'objet à nettoyer afin de vous assurer qu'il est assez robuste pour résister à la puissance du jet sans subir des dommages.</p>			

### Application des Produits Chimiques/ Solvants de Nettoyage

L'application des solutions de nettoyage devrait être effectuée à basse pression. **REMARQUE :** Utilisez seulement des savons ou des produits chimiques qui sont conçus spécialement pour une laveuse à pression. **Ne pas utiliser de l'eau de Javel.**

### Application de produits chimiques

1. **Poussez le boyau de produit chimique (P)** dans le raccord cannelé (T), près du point de connexion du boyau à haute pression de la pompe, tel qu'illustré. 
2. **Placez l'autre extrémité du boyau de produit chimique** (l'extrémité avec le filtre) dans le contenant avec le produit chimique/solution de nettoyage. **REMARQUE :** Pour chaque quantité de 26,5 litres (7 gallons) d'eau pompée, 3,8 litres (1 gallon) de produit chimique/solution de nettoyage seront utilisés.
3. **Insérez la buse à basse pression (noir)** dans le raccord à connexion rapide de la lance. Voir le paragraphe intitulé « **Utilisation de la lance de vaporisation** » de cette section.

4. **Après avoir utilisé un produit chimique,** placez le boyau de produit chimique dans un récipient d'eau propre et aspirez de l'eau propre à travers le système d'injection de produit chimique pour bien rincer le système. Si les produits chimiques restent dans la pompe, celle-ci pourrait être endommagée. Les pompes endommagées par un produit chimique ne sont pas couvertes par la garantie.

**REMARQUE :** Les produits chimiques et savons ne peuvent pas être siphonnés lorsque la lance est réglée à la position de haute pression.

**⚠ AVERTISSEMENT :** Afin de réduire le risque de blessures, lire le monde d'emploi de la laveuse haute pression avant de la mettre en marche.

**⚠ DANGER :** Risque d'injection de liquide et de lacération Lors du fonctionnement à pression élevée, **NE PAS laisser le jet à haute pression en contact avec la peau et les yeux sans protection ou avec des animaux. Une blessure grave se produira.**

- La laveuse haute pression fonctionne à des pressions de liquides et des vitesses suffisamment élevées pour pénétrer la peau humaine et animale, ce qui pourrait se solder par une amputation ou autres blessures graves. Des fuites provoquées par des rac-

cords lâches ou des tuyaux usés ou endommagés peuvent se solder par des blessures par injection. NE PAS TRAITER UNE INJECTION DE LIQUIDE COMME UNE SIMPLE COUPURE ! Consulter un médecin immédiatement !

**⚠ AVERTISSEMENT : Risque d'incendie, asphyxie et de brûlures. Ne jamais faire le plein du réservoir avec le moteur en marche ou chaud. Ne pas fumer lors du plein d'essence.**

- Ne jamais remplir le réservoir au complet. Laisser environ 12,7 mm (1/2 po) de dégagement sous le bord du goulot de remplissage pour permettre l'expansion de l'essence. Essuyer toute trace d'essence du moteur et de l'équipement avant de démarrer le moteur.
- Ne JAMAIS utiliser le moteur à l'intérieur ou dans un espace clos peu aéré. Les gaz d'échappement des moteurs contiennent du monoxyde de carbone, un gaz inodore et mortel.
- NE PAS laisser les tuyaux en contact avec le silencieux chaud en cours de fonctionnement ou immédiatement après l'utilisation de la laveuse haute pression. Les dommages aux tuyaux, suite à un contact avec les surfaces chaudes du moteur, NE sont PAS couverts par la garantie.

**ATTENTION Risque des dommages à la propriété. ne jamais tirer sur le tuyau d'approvisionnement en eau pour déplacer la laveuse haute pression. Cette action risque d'endommager le tuyau ou l'arrivée d'eau de la pompe.**

- NE PAS utiliser d'eau chaude. Utiliser uniquement de l'eau froide.
- Ne JAMAIS fermer l'arrivée d'eau lors du fonctionnement de la laveuse haute pression, cela endommagera la pompe.
- NE PAS cesser la pulvérisation

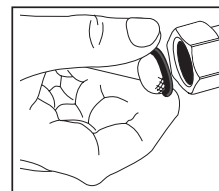
d'eau pour une période de plus de deux minutes à chaque fois. La pompe fonctionne en mode de dérivation lorsque la détente du pistolet de pulvérisation n'est pas engagée. Il y a risque d'endommagement des composants internes de la pompe si elle demeure en mode de dérivation pour plus de deux minutes.

Si vous ne comprenez pas ces mises en garde, veuillez téléphoner le **1-800-544-6986** et communiquer avec un représentant du service à la clientèle pour obtenir de plus amples instructions.

## DÉMARRAGE

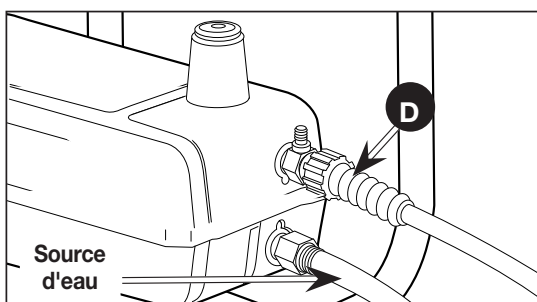
**Avant de démarrage, l'appareil, consultez le guide du moteur pour connaître la procédure de démarrage appropriée.**

1. **Dans un endroit extérieur bien aéré**, ajoutez de l'essence pure, sans plomb, de haute qualité et ayant un indice d'octane de 86 ou plus. Ne pas trop remplir. Essuyez l'essence déversée avant de démarrer le moteur. Consultez le guide du moteur pour connaître la procédure appropriée.
2. **Vérifiez le niveau d'huile.** Consultez le guide du moteur pour connaître la procédure appropriée.
3. **Raccorder le tuyau d'eau à l'approvisionnement d'eau.** Faire couler de l'eau dans le tuyau pour retirer toute bulle d'air. Dès que le jet d'eau est constant, fermer l'approvisionnement d'eau.
4. **Assurez-vous que l'écran filtrant est dans l'orifice d'entrée d'eau de la pompe.**



**REMARQUE:** Le côté conique doit être dirigé vers l'extérieur.

5.  **Branchez**  la source d'eau à l'orifice d'entrée de la pompe.  
**REMARQUE** : La source d'eau doit fournir un minimum de 19 litres (5 gallons) par minute à 137,9 kPa (20 psi).



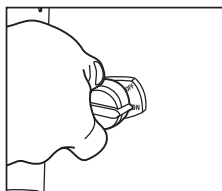
**⚠ AVERTISSEMENT** : Pour réduire la possibilité de contamination, toujours protéger le système contre les refoulements s'il est raccordé au système d'apport en eau potable.

6.  **Attachez**  le boyau à haute pression à la sortie de la pompe.
7.  **Si vous appliquez un produit chimique ou une solution de nettoyage.**  Si vous voulez appliquer un produit chimique ou une solution de nettoyage, consultez la partie intitulée «  **Application des produits chimiques/solvants de nettoyage**  » de cette section.
8.  **Ouvrez le robinet de la source d'eau.**

**ATTENTION** : Risque des dommages à la propriété. Négliger de suivre cette directive pourrait endommager la pompe.

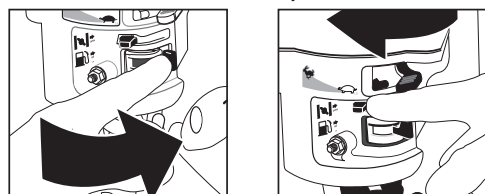
9.  **Retirer toute trace de bulles d'air de la pompe et du tuyau haute pression**  en appuyant sur la détente jusqu'à l'obtention d'un jet d'eau constant.

10. Mettre le commutateur de  **MARCHE/ARRÊT (H)**  en position de  **MARCHE.**



11. Mettre le levier du robinet à essence  **(M)**  à la position  **ON (marche).**

12. Si le moteur est froid, régler l'étrangleur  **(L)**  à la position  **FERMÉE**  comme il est indiqué.



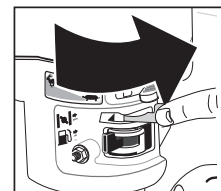
13.  **⚠ AVERTISSEMENT** : Risque d'utilisation dangereuse. Tirer lentement la poignée du démarreur jusqu'à ce qu'une résistance se fasse sentir. Puis tirer rapidement sur la poignée  **(I)**  pour éviter l'effet de rebond et empêcher toute blessure à la main ou au bras.

**REMARQUE** : Ne pas laisser la poignée du démarreur revenir d'un coup sec. Contrôler le rembobinage à la main.

- ⚠ AVERTISSEMENT** : Risque d'utilisation dangereuse Si le moteur ne démarre pas après deux tentatives, appuyer sur la détente du pistolet pour décompresser la pompe. Tirer lentement la corde du démarreur jusqu'à obtention d'une résistance. Puis tirer rapidement sur celui-ci pour éviter l'effet de rebond moteur et empêcher toute blessure à la main ou au bras.

**REMARQUE** : Si le niveau d'huile du moteur est bas, le moteur ne démarrera pas. Dans ce cas, vérifier le niveau d'huile du moteur et ajouter de l'huile au besoin.

14. Au fur et à mesure que le moteur se réchauffe, régler l'étrangleur à la  **POSITION ouverte.**



15. Enfoncer la détente du pistolet pour activer le jet d'eau.

- ⚠ AVERTISSEMENT** : Risque d'utilisation dangereuse Se tenir sur une surface stable et saisir solidement le pistolet/le tube avec les deux mains. S'attendre à un effet de recul lorsque la détente du pistolet de pulvérisation est engagée.

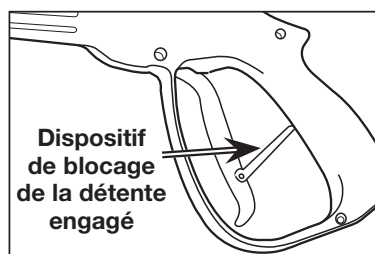


16. Appuyez sur la détente du pistolet pour commencer la vaporisation d'eau.

**⚠ AVERTISSEMENT : Risque d'utilisation dangereuse** Se tenir sur une surface stable et saisir solidement le pistolet/la lance avec les deux mains. S'attendre à un effet de rebond lorsque la détente du pistolet de pulvérisation est engagée.

17. Relâchez la détente pour arrêter le débit d'eau.

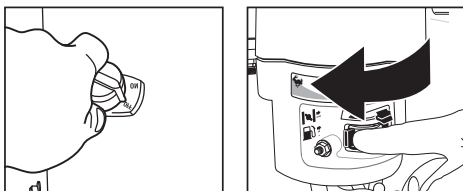
**⚠ DANGER : Risque de blessure par jet.** Verrouiller la détente lorsque le pistolet n'est pas utilisé pour empêcher une pulvérisation accidentelle.



16. Réglez le jet de vaporisation de la buse pour correspondre à la tâche à effectuer. Consultez les directives intitulées « Utilisation de la lance » de cette section.

## ARRÊT DE L'APPAREIL

1. **Après chaque usage**, si vous avez appliqué des produits chimiques, placez le boyau de produit chimique dans un récipient d'eau propre et aspirez de l'eau propre à travers le système d'injection de produit chimique pour bien rincer le système.
2. Mettre l'Interrupteur ON/OFF (marche/arrêt) du moteur à la position OFF (arrêt).
3. Mettre le levier du robinet à essence (M) à la position OFF (arrêt).



**ATTENTION : Risque des dommages à la propriété.** Si vous n'exécutez pas cette étape, cela risque d'endommager la pompe.

4. Fermez le robinet de la source d'eau.
5. Appuyez sur la détente du pistolet de vaporisation pour dégager l'eau sous pression dans le boyau ou dans le pistolet.
6. Consultez la section sur l'entreposage de ce guide pour connaître les procédures d'entreposage appropriées.

## ENTRETIEN

**⚠ AVERTISSEMENT : Risque de brûlure** Lors d'un entretien, il y a présence de surfaces d'eau chaudes, à pression élevée et de pièces mobiles qui peuvent provoquer des blessures graves ou un décès.

**⚠ AVERTISSEMENT : Risque d'incendie** Avant tout entretien ou réparation, toujours débrancher le fil de la bougie, laisser refroidir le moteur et décompresser toute pression d'eau. Le moteur contient un combustible inflammable. Ne pas fumer ou travailler près de flammes nues lors d'un entretien.

Afin d'assurer le bon fonctionnement et une durée de vie prolongée de votre laveuse à pression, vous devez préparer et suivre un calendrier d'entretien régulier. Si votre laveuse à pression est utilisée dans un environnement défavorable, tel qu'à des températures élevées ou des conditions poussiéreuses, les vérifications d'entretien doivent être exécutées plus souvent

### Moteur

Consultez le guide du moteur pour connaître les recommandations du fabricant concernant tous les services d'entretien.

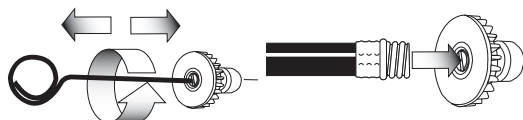
### Pompe

L'huile dans la pompe haute pression a été conçue pour durer toute la vie utile de la pompe. Si vous avez un problème avec la pompe, consultez un Centre de service sous garantie autorisé.

## Nettoyage de la Buse

Si la buse devient obstruée par des matériaux étrangers comme la poussière, une pression excessive peut se développer. Si la buse devient partiellement obstruée ou le débit est restreint, la pression de la pompe commencera à pulser. Nettoyez la buse immédiatement en vous servant de la trousse de nettoyage de buse fournie et en suivant les directives suivantes :

1. Arrêtez la laveuse à pression et fermez le robinet de la source d'eau.
2. Appuyez sur la détente du pistolet afin de dégager l'eau sous pression.
3. Détachez la lance du pistolet.
4. Retirez la buse à haute pression de la lance. Retirez toute obstruction à l'aide de l'outil de nettoyage de buse fourni et rincez à l'eau propre.

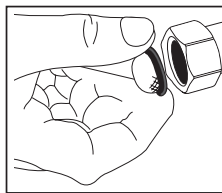


5. Dirigez la source d'eau dans la buse la lance de vaporisation et rincez les de particules libérées pendant 30 secondes.
6. Réassemblez la buse sur la lance.
7. Attachez la lance au pistolet et ouvrez le robinet de la source d'eau.
8. Démarrez la laveuse à pression et réglez la lance à la position de haute pression pour l'essayer.

## Nettoyage du Filtre d'entrée d'eau

Cet écran filtrant devrait être vérifié périodiquement et nettoyé au besoin.

1. **Saisissez l'extrémité du filtre** et retirez-le de l'orifice d'entrée d'eau de la pompe, tel qu'illustré.



2. **Nettoyez le filtre** en le rinçant à l'eau sur les deux côtés.
3. **Réinsérez le filtre** dans l'orifice d'entrée d'eau de la pompe.

**REMARQUE :** Le côté conique doit être dirigé vers l'extérieur.

**REMARQUE :** N'utilisez pas la laveuse à pression lorsque le filtre n'est pas posé de façon appropriée.

## ENTREPOSAGE

### Moteur

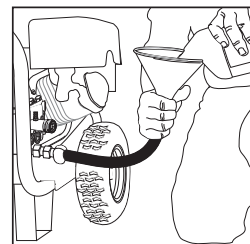
Consultez le Guide du propriétaire du moteur pour connaître les recommandations du fabricant en ce qui concerne l'entreposage.

### Pompe

Le fabricant recommande l'utilisation d'un protecteur de pompe/produit d'hivérization lors de l'entreposage de l'appareil pour une durée supérieure à 30 jours et/ou lorsque des températures sous le point de congélation sont prévues. Le un protecteur de pompe/produit d'hivérization peut être acheté auprès du magasin où l'achat de l'appareil a été effectué. Si un protecteur de pompe/produit d'hivérization n'est pas disponible, faire circuler dans la pompe un antigel pour véhicule récréatif comme décrit dans les étapes ci-dessous.

**REMARQUE :** l'utilisation d'un protecteur de pompe/produit d'hivérization ou d'un antigel pour véhicule récréatif est destinée à lubrifier correctement les joints internes de la pompe quelle que soit la température ou l'environnement.

1. Prendre un entonnoir de 170 ml (6 onces) d'antigel pour véhicule récréatif et un tuyau de jardin de 40,6 à 91,5 cm (16 à 36 po) avec un connecteur mâle à une extrémité.



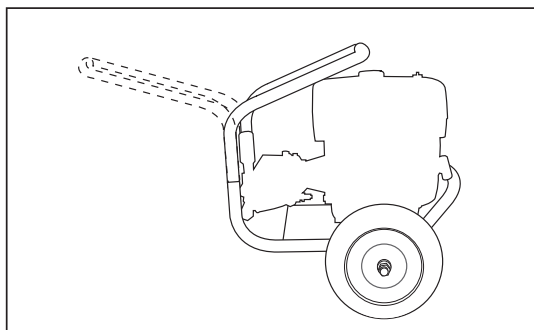
**ATTENTION: Risque de dommages matériels. Utiliser uniquement de l'antigel pour véhicule récréatif. Tout autre antigel est corrosif et peut endommager la pompe.**

2. Débrancher le fil de la bougie.
3. Raccorder le tuyau de jardin à l'admission d'eau de la pompe.

4. Ajouter de l'antigel pour véhicule récréatif comme indiqué.
5. Tirer lentement plusieurs fois sur la corde du démarreur du moteur jusqu'à ce que de l'antigel sorte par le raccord du tuyau haute pression de la pompe.
6. Détacher le tuyau de jardin de l'admission d'eau de la pompe.
7. **Rebrancher le fil de la bougie.**

#### Laveuse à Pression

1. Vidangez toute l'eau du boyau à haute pression, enrroulez-le et rangez-le dans le berceau de la poignée de la laveuse à pression.
2. Vidangez toute l'eau du pistolet et de la lance. Pour ce faire, maintenez le pistolet en position verticale, en dirigeant la buse vers le bas, et appuyez sur la détente du pistolet. Rangez ces pièces dans le porte-pistolet.
3. Entrez le boyau de produit chimique de façon à éviter tous dommages.
4. Si vous avez besoin de plus d'espace, enlevez les poignées et placez-les tel qu'illustré.



#### ACCESSOIRES

**⚠ DANGER: Risque d'injection de liquides. Si une lance ou un pistolet de rechange est utilisé avec cette laveuse à pression, NE PAS utiliser une lance et/ou une combinaison lance et pistolet dont la longueur est inférieure à celle des lance et pistolet fournis avec cette laveuse à pression; la mesure se fait de l'extrémité de la buse à la détente du pistolet.**

**ATTENTION : L'utilisation de tout autre accessoire non recommandé avec cet outil pourrait s'avérer dangereuse. Utiliser uniquement des accessoires de marque égal ou supérieur à celui de la laveuse haute pression.**

#### FICHE TECHNIQUE

Modèle	BDP3100
PSI Max*	3100 (21374 kPa)
PSI en	
Fonctionnement	2790 (19236 kPa)
GPM Max*	2,6
GPM en	
Fonctionnement	2,34

\* Débit d'eau et limites maximales de pression déterminés en conformité avec la norme PW101 de la PWMA américaine.

#### RÉPARATIONS

**Ne pas retourner cet appareil chez votre détaillant.** Black & Decker dispose d'un réseau complet composé de centres de service et de centres autorisés situés partout en Amérique du Nord. Tous les centres de service Black & Decker sont dotés de personnel qualifié en matière d'outillage électrique; ils sont donc en mesure d'offrir à leur clientèle un service efficace et fiable.

Pour obtenir un conseil technique ou une pièce d'origine ou pour faire réparer un outil, on peut communiquer avec le centre Black & Decker le plus près.

Pour obtenir le numéro de téléphone, consulter les pages jaunes sous la rubrique «Outils - électriques» ou composer le **1 800 544-6986**.

#### GARANTIE DE DEUX ANS POUR USAGE RESIDENTIEL

#### GARANTIE LIMITÉE SUR LES COMPOSANTS DU PRODUIT SAUF LA POMPE

Black & Decker (É.-U.) inc. garantit à l'acheteur initial que le cadre, les pneus, le pistolet, le tuyau, le tube, la ou les buses et autres composants des

laveuses haute pression de Black & Decker couverts par cette garantie sont exempts de défaut de matériau et de fabrication pendant deux ans à partir de la date d'achat.

#### **GARANTIE LIMITÉE SUR LA POMPE**

Black & Decker garantit à l'acheteur initial que la pompe des laveuses haute pression de Black & Decker couverte par cette garantie est exempte de défaut de matériau et de fabrication pendant

deux ans à partir de la date d'achat. La garantie limitée de deux ans s'applique uniquement à la pompe.

Black & Decker réparera ou remplacera, à son choix, les produits ou composants défectueux au cours des périodes de garantie mentionnées ci-dessus. Les réparations seront effectuées suivant le flux normal de travail et les heures d'ouverture des centres de réparation ainsi que de la disponibilité des pièces de rechange. Toutes les décisions de Black & Decker concernant cette garantie limitée seront définitives.

Cette garantie vous donne des droits légaux spécifiques et vous pouvez également avoir d'autres droits, lesquels varient d'une province ou d'un État à un autre.

#### **RESPONSABILITÉ DE L'ACHETEUR INITIAL (utilisateur initial) :**

- Pour une réclamation au titre de la garantie d'une laveuse haute pression de Black & Decker, la retourner au lieu d'achat.
- Conserver le reçu de caisse d'origine comme preuve d'achat pour toute réparation couverte par la garantie.
- Utiliser une diligence raisonnable lors de l'utilisation et de l'entretien du produit comme cela est décrit dans le ou les modes d'emploi.

#### **CETTE GARANTIE NE COUVRE PAS :**

- Les marchandises vendues comme remises à neuf, utilisées comme équipement de location, articles en montre ou modèles de présentation.

- Les marchandises endommagées ou inopérantes à la suite de l'usure normale, une mauvaise utilisation, une utilisation sous conditions froides, chaudes, pluvieuses, d'humidité excessive ou sous le point de congélation, une utilisation avec des produits chimiques inappropriés, une négligence, un accident, une utilisation non conforme aux directives comprises dans le ou les modes d'emploi fournis avec le produit, un mauvais entretien, une utilisation avec des accessoires non recommandés par Black & Decker ou une réparation ou des modifications non autorisées.
- Les frais de réparation et de transport de marchandises exemptes de défauts.
- Les frais associés avec l'assemblage, la lubrification exigée, les réglages ou autres frais d'installation ou de mise en fonction.
- Les pièces ou accessoires non récupérables, fournis avec le produit, qui deviendront inopérants ou inutilisables après une certaine période raisonnable d'utilisation, y compris, mais sans s'y limiter, les ressorts, buses, joints toriques, rondelles et accessoires similaires.
- La marchandise vendue par Black & Decker qui est fabriquée par une autre entreprise et identifiée comme le produit d'un autre fabricant, tels que les moteurs à essence. La garantie du fabricant, si offerte, s'appliquera dans ces cas.
- **TOUTE PERTE, TOUT DOMMAGE, TOUS FRAIS ACCESSOIRES, CONSÉCUTIFS OU INDIRECTS POUVANT PROVENIR DE TOUT DÉFAUT, DÉFAILLANCE OU MAUVAIS FONCTIONNEMENT DU PRODUIT NE SONT PAS COUVERTS PAR CETTE GARANTIE.** Certains États ou provinces n'autorisent pas l'exclusion ou la restriction de dommages accessoires ou consécutifs, auquel

cas, les exclusions ou limitations ci-dessus pourraient ne pas être applicables.

- **LES GARANTIES IMPLICITES, Y COMPRIS TOUTE GARANTIE DE QUALITÉ MARCHANDE OU D'ADÉQUATION À UN USAGE PARTICULIER, SONT LIMITÉES À UNE PÉRIODE DE DEUX ANS À PARTIR DE LA DATE D'ACHAT D'ORIGINE.** Certains États ou provinces ne permettent pas les limitations sur la durée d'une garantie implicite, auquel cas, les restrictions ci-dessus pourraient ne pas être applicables.

Imported by / Importé par  
Black & Decker Canada Inc.  
100 Central Ave.  
Brockville (Ontario) K6V 5W6

Voir la rubrique  
"Outils électriques"  
des Pages Jaunes  
pour le service et les ventes.



## GUIDE DE DÉPANNAGE

PROBLÈME	CAUSE	CORRECTION
Le moteur ne démarre pas (voir le Guide du moteur pour plus de renseignements sur le dépannage du moteur)	Aucun carburant.	Ajoutez du carburant.
	Accumulation de pression après avoir tiré deux fois sur le cordon de démarrage ou après l'utilisation initiale.	Appuyez sur la détente du pistolet pour dégager la pression.
	Le levier d'étrangleur est en position sans étranglement « No Choke ».	Déplacez le levier d'étrangleur à la position d'étranglement « Choke ».
	Fil de bougie n'est pas branché.	Branchez le fil de la bougie d'allumage.
	Interrupteur ON/OFF du moteur est en position OFF.	Placez l'interrupteur ON/OFF du moteur en position ON.
	Le levier d'étrangleur est en position « Choke » lorsque le moteur est chaud ou lorsque le moteur a été exposé à une source de chaleur pour une période prolongée.	Déplacez le levier d'étrangleur à la position sans étranglement.
	Soupape à essence fermée.	OUVRIR le levier de la soupape à essence.
Aucune pression ou basse pression (à l'utilisation initiale)	La lance n'est pas en position de haute pression.	Consultez les instructions « Utilisation de la lance de vaporisation » de la section « Utilisation ».
	Alimentation en eau insuffisante.	La source d'eau doit acheminer au moins 5 gal./min à 137,9 kPa (20 psi).
	Fuite au raccord de boyau à haute pression.	Réparez la fuite. Appliquez du ruban d'étanchéité au besoin.
	Buse obstruée.	Consultez les instructions « <b>Nettoyage de la buses</b> » de la section « <i>Entretien</i> ».
	Écran de filtrage d'eau obstrué.	Retirez le filtre et nettoyez-le.

PROBLÈME	CAUSE	CORRECTION
Aucune pression ou basse pression (à l'utilisation initiale)	De l'air se trouve dans le boyau.	Arrêtez le moteur et fermez ensuite le robinet de la source d'eau. Débranchez la source d'eau de l'orifice d'entrée de la pompe et ouvrez le robinet de la source d'eau pour purger l'air du boyau. Lorsqu'un jet continu d'eau paraît, fermez le robinet de la source d'eau. Rebranchez la source d'eau à l'orifice d'entrée de la pompe et ouvrez la source d'eau. Appuyez sur la détente pour purger l'air qui reste.
	Le levier d'étrangleur est en position « Choke » .	Déplacez le levier d'étrangleur à la position sans étranglement « Choke ».
	Le boyau à haute pression est trop long.	Utilisez un boyau à haute pression d'une longueur inférieure à 30 mètres (100 pieds).
Aucun produit chimique n'est aspiré	La lance n'est pas en position de basse pression.	Consultez le paragraphe « <b>Utilisation de la lance de vaporisation</b> » de la section « <i>Utilisation</i> ».
	Filtre de produit chimique obstrué.	Nettoyez le filtre.
	L'écran filtrant de produit chimique n'est pas submergé dans le produit chimique.	Assurez-vous que l'embout du boyau de produit chimique est entièrement submergé dans le produit chimique.
	Le produit chimique est trop épais.	Diluez le produit chimique. Le produit chimique devrait avoir la consistance d'eau.
	Le boyau à haute pression est trop long.	Utilisez un boyau d'eau plus long au lieu d'un boyau à haute pression plus long.
	Une accumulation de produit chimique dans l'injecteur de produit chimique.	Contactez les services clientèle B&D au <b>1-800-544-6986</b> .
Aucune pression ou basse pression (après un certain temps d'utilisation normale)	Joint d'étanchéité ou garniture usés.	Contactez les services clientèle B&D au <b>1-800-544-6986</b> .
	Soupapes usées ou obstruées.	Contactez les services clientèle B&D au <b>1-800-544-6986</b> .
	Piston de déchargeur usé.	Contactez les services clientèle B&D au <b>1-800-544-6986</b> .
Fuite d'eau au niveau de la connexion du pistolet/lance	Joint torique usé ou brisé.	Check and replaa Vérifiez et remplacez. ce.
	Connexion de boyau desserrée.	Serrez.

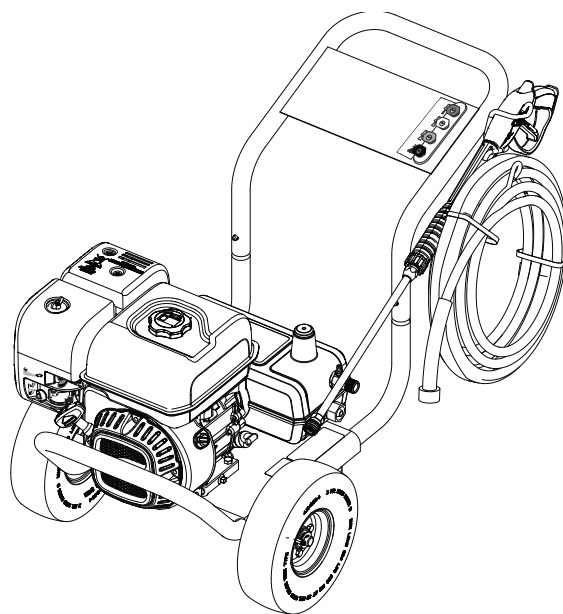
<b>PROBLÈME</b>	<b>CAUSE</b>	<b>CORRECTION</b>
Fuite d'eau au niveau de la pompe	Connexions desserrées.	Serrez.
	Garnitures de piston usées.	Contactez les services clientèle B&D au <b>1-800-544-6986</b> .
	Joints toriques usés ou brisés.	Contactez les services clientèle B&D au <b>1-800-544-6986</b> .
	La tête de la pompe ou les tubes sont endommagés à cause du gel.	Contactez les services clientèle B&D au <b>1-800-544-6986</b> .
La pompe fonctionne de façon pulsée	Buse obstruée.	Consultez les instructions « <b>Nettoyage de la buses</b> » de la section « <i>Entretien</i> ».

 **BLACK & DECKER®**

Lavadora a presión

Número de catálogo BDP3100

# MANUAL DE INSTRUCCIONES



¡GRACIAS POR ELEGIR BLACK & DECKER!

VAYA A [WWW.BLACKANDDECKER.COM/NEWOWNER](http://WWW.BLACKANDDECKER.COM/NEWOWNER)

PARA REGISTRAR SU NUEVO PRODUCTO.

**ANTES DE DEVOLVER ESTE PRODUCTO  
POR CUALQUIER MOTIVO, LLAME AL**

**(55)5326-7100**

ANTES DE LLAMAR, TENGA EL NÚMERO DE CATÁLOGO Y EL CÓDIGO DE FECHA PREPARADOS. EN LA MAYORÍA DE LOS CASOS, UN REPRESENTANTE DE BLACK & DECKER PUEDE RESOLVER EL PROBLEMA POR TELÉFONO. SI DESEA REALIZAR UNA SUGERENCIA O COMENTARIO, LLÁMENOS. SU OPINIÓN ES FUNDAMENTAL PARA BLACK & DECKER. ■



## DEFINICIONES DE NORMAS DE SEGURIDAD

Este manual contiene importante información para que usted sepa y comprenda. Esta información se relaciona con la protección de **SU SEGURIDAD Y LA PREVENCIÓN DE PROBLEMAS AL EQUIPO**. Para ayudarlo a reconocer esa información, utilizamos los **símbolos indicados más abajo**. **Sírvase leer el manual y prestar atención a dichos símbolos**.

**⚠ PELIGRO:** Indica una situación de peligro inminente que, si no se evita, **provocará** la muerte o **lesiones graves**.

**⚠ ADVERTENCIA:** Indica una situación de peligro potencial que, si no se evita, **podría** provocar **la muerte o lesiones graves**.

**⚠ ATENCIÓN:** Indica una situación de peligro potencial que, si no se evita, **posiblemente** provocaría **lesiones leves o moderadas**.

**ATENCIÓN:** Utilizado sin el símbolo de alerta de seguridad indica una situación de peligro potencial que, si no se evita, **puede** provocar **daños en la propiedad**.

## INFORMACIÓN DE SEGURIDAD PARA EL CONSUMIDOR

**⚠ ADVERTENCIA:** Esta unidad podría no estar equipada con un cortachispas en el silenciador del escape. Si esta unidad se usa alrededor de materiales inflamables o en suelo cubierto con materiales tales como productos agrícolas, forestales, arbustos u otros similares, se debe instalar un corta chispas autorizado, y en el estado de California es obligatorio por ley que esté provisto de corta chispas y mantenido en buen estado de funcionamiento de acuerdo a las secciones 130050 y/o secciones 4442 y 4443 del Código de Recursos Públicos Naturales. El cortachispas también se requiere en algunas jurisdicciones del Servicio Forestal del Gobierno de los EE.UU. y también puede ser obligatorio por otros estatutos y ordenanzas.

**⚠ ADVERTENCIA:** Este producto contiene sustancias químicas reconocidas por el Estado de California como causantes de cáncer, defectos de nacimiento u otros problemas reproductivos. Lávese las manos después de utilizarlo.

## INSTRUCCIONES IMPORTANTES DE SEGURIDAD

**⚠ ADVERTENCIA:** No opere este equipo hasta haber leído y entendido las instrucciones de seguridad, operación y mantenimiento en este Manual del Operador y en el Manual del Propietario del Motor.

## LEA Y CONSERVE ESTAS INSTRUCCIONES



### ⚠ PELIGRO: RIESGO DE EXPLOSIÓN O INCENDIO

#### ¿QUÉ PUEDE SUCEDER?

- La gasolina derramada y sus vapores pueden encenderse a causa de chipas de cigarrillos, arcos eléctricos, gases de escape y componentes calientes del motor, como el silenciador
- El calor expandirá el combustible dentro del tanque, lo que podría provocar un derrame y una posible explosión incendio
- La operación de la lavadora a presión en un entorno explosivo podría provocar un incendio
- La colocación de materiales contra o cerca de la lavadora a presión puede interferir con la ventilación adecuada del equipo, lo que causaría un sobrecalentamiento y podría encender los materiales.
- El calor del escape del silenciador puede dañar las superficies pintadas, derretir los materiales sensibles al calor (como revestimientos interiores, plástico, goma, vinilo o la propia manguera de presión) y perjudicar a las plantas naturales.
- El combustible que no se almacena en forma correcta podría causar la ignición accidental. Si no se lo resguarda adecuadamente, podría terminar en manos de niños u otras personas no calificadas.
- El uso de ácidos, productos químicos tóxicos o corrosivos, venenos, insecticidas o cualquier clase de solventes inflamables con esta unidad, podría ocasionar lesiones serias o la muerte.

#### CÓMO EVITARLO

- Apague el motor y deje que se enfríe antes de poner combustible en el tanque.
- Sea cuidadoso al llenar el tanque para evitar el derrame de combustible. Aleje la lavadora a presión del área combustible antes de poner en marcha el motor.
- Llene el tanque hasta 12,7 mm (1/2 pulg.) por debajo de la parte inferior del cuello de llenado, a fin de brindar espacio para la expansión del combustible.
- Opere y coloque combustible al equipo en áreas bien ventiladas y libres de obstrucciones. Equipe las áreas con un extintor de incendios adecuado para incendios por gasolina.
- Nunca opere la lavadora a presión en un área que tenga malezas secas.
- Mantenga siempre la lavadora a presión a una distancia mínima de 1,2 m (4 pies) de las superficies (tales como casas, automóviles o plantas naturales) que podrían sufrir daños por el calor del escape del silenciador.
- Almacene el combustible dentro de un contenedor aprobado por OSHA en un lugar seguro, lejos del área de trabajo.
- No rocíe líquidos inflamables .



## ⚠ PELIGRO: RIESGO RESPIRATORIO (ASFIXIA)

### ¿QUÉ PUEDE SUCEDER?

- La inhalación de vapores de escape causará lesiones graves o la muerte. El escape del motor contiene monóxido de carbono, un gas inodoro que es fatal.
- Algunos líquidos para limpieza contienen sustancias que podrían causar lesiones en la piel, los ojos o los pulmones.

### CÓMO EVITARLO

- Opere la lavadora a presión en un área bien ventilada. Evite los lugares cerrados como garajes, sótanos, etc.
- Nunca opere la unidad en un lugar en el que haya otras personas o animales.
- Utilice solamente limpiadores recomendados específicamente para lavadoras a alta presión. Siga las recomendaciones de los fabricantes. No use lejía de cloro ni otro compuesto corrosivo.



## ⚠ PELIGRO: RIESGO DE INYECCIÓN DE LÍQUIDO Y LACERACIÓN

### ¿QUÉ PUEDE SUCEDER?

- Su lavadora a presión opera el líquido con una presión y velocidad lo suficientemente altas como para penetrar la carne humana y animal, y por ello podría ocasionar una amputación u otra lesión grave. Las pérdidas causadas por accesorios sueltos o mangueras dañadas pueden producir lesiones por inyección. **NO TRATE LA INYECCIÓN DE LÍQUIDO COMO SI FUERA UN SIMPLE CORTE** Consulte al médico de inmediato.

### CÓMO EVITARLO

- Inspeccione la manguera de alta presión periódicamente. Reemplace la manguera de inmediato si está dañada, gastada, se derritió por contacto con el motor o evidencia signos de grietas, burbujas, agujeros u otros tipos de pérdida. Nunca tome una manguera de alta presión que tenga una pérdida o esté dañada.
- Nunca toque, tome ni trate de cubrir un agujero o causa de pérdida de agua similar en la manguera de alta presión. El flujo de agua **ESTÁ** a alta presión y **PENETRARÁ** la piel.
- Nunca coloque las manos frente a la boquilla.
- No dirija el pulverizador hacia sí mismo u otras personas.
- Asegúrese de que la manguera y los accesorios estén ajustados y en buenas condiciones. Nunca se sujete de la manguera ni de los accesorios durante la operación.
- No permita que la manguera entre en contacto con el silenciador.
- Nunca coloque ni quite la varilla ni los accesorios de la manguera mientras el sistema esté presurizado.

- Podría resultar herido si la presión del sistema no se reduce antes de intentar realizarle mantenimiento o desarmarlo.
- Para aliviar la presión del sistema, apague el motor, cierre el suministro de agua y hale del disparador de la pistola hasta que deje de salir líquido.
- Utilice solamente mangueras y accesorios calificados para soportar presiones superiores al PSI de su lavadora a presión.



### **⚠ PELIGRO: RIESGO DE LESIÓN POR PULVERIZACIÓN**

#### **¿QUÉ PUEDE SUCEDER?**

- La pulverización de líquidos a alta velocidad puede hacer que los objetos se rompan y lancen partículas a gran velocidad.
- Los objetos livianos o no asegurados pueden convertirse en proyectiles peligrosos.

#### **CÓMO EVITARLO**

- Use siempre gafas de seguridad aprobadas según la ANSI Z87.1. Utilice ropa que lo proteja de una pulverización accidental.
- Nunca apunte el pulverizador a personas o animales.
- Asegure siempre el bloqueador del disparador cuando la varilla no esté en uso para evitar la operación accidental.
- Nunca asegure el disparador hacia atrás, en posición abierta permanente.



### **⚠ PELIGRO: RIESGO DE OPERACIÓN INSEGURA**

#### **¿QUÉ PUEDE SUCEDER?**

- La operación insegura de su lavadora a presión podría producir lesiones graves o la muerte, a usted mismo o a otras personas..

#### **CÓMO EVITARLO**

- No utilice lejía de cloro ni otro compuesto corrosivo.
- Familiarícese con las operaciones y los controles de la lavadora a presión.
- Mantenga el área de operaciones libre de personas, mascotas y obstáculos.
- No opere el producto cuando esté cansado o bajo la influencia de alcohol o drogas. Manténgase alerta en todo momento.
- Nunca anule las características de seguridad de este producto.
- No opere la máquina si faltan piezas, están rotas o no son las autorizadas.
- Nunca deje la varilla sin atención mientras la unidad está en funcionamiento.

- Si no se sigue el procedimiento de puesta en marcha adecuado, el motor puede retroceder, lo que podría causar daños graves a las manos y los brazos..
- Si el motor no arranca después de halar dos veces, apriete el disparador de la pistola para aliviar la presión de la bomba. Hale del cable de arranque lentamente hasta sentir cierta resistencia. Entonces, hale de él rápidamente para evitar el retroceso y que se produzcan lesiones en las manos o los brazos.
- La pistola/varilla pulverizadora es una herramienta de limpieza poderosa, que podría parecer un juguete ante los ojos de un niño.
- Mantenga a los niños alejados de la lavadora a presión en todo momento.
- La fuerza reactiva de la pulverización hará que la pistola/varilla retroceda, lo cual podría hacer que el operador se resbale, caiga o apunte el pulverizador hacia una dirección incorrecta. El control inadecuado de la pistola/varilla puede causar lesiones al usuario y a otras personas.
- No se estire demasiado ni se pare en una superficie que no brinde estabilidad.
- No use la lavadora a presión cuando esté subido a una escalera.
- Agarre la pistola/varilla firmemente con ambas manos. Espere que la pistola retroceda cuando la dispare.



**⚠ PELIGRO: RIESGO DE LESIÓN O DAÑO A LA PROPIEDAD AL TRANSPORTAR O ALMACENAR LA UNIDAD**

**¿QUÉ PUEDE SUCEDER?**

- Se puede producir una pérdida o derrame de combustible y aceite, lo cual podría generar peligro de incendio o inhalación. Puede causar lesiones graves o la muerte. Los derrames de combustible o aceite dañarán alfombras, pintura y otras superficies de vehículos o remolques.

**CÓMO EVITARLO**

- Si la lavadora a presión está equipada con una válvula de cierre de combustible, colóquela en la posición cerrada antes de transportar la unidad, a fin de evitar pérdidas de combustible. Si la lavadora no está equipada con esta válvula, drene el combustible del tanque antes de transportarla. Sólo transporte combustible en un contenedor aprobado por OSHA. Coloque siempre la lavadora a presión en un tapete protector cuando la transporte, para proteger al vehículo de daños por pérdidas. Quite la lavadora a presión del vehículo inmediatamente una vez que haya llegado a destino.



## ⚠ ADVERTENCIA: RIESGO DE DE ESTALLIDO

### ¿QUÉ PUEDE SUCEDER?

- El inflado excesivo de los neumáticos podría causar lesiones graves y daño a la propiedad.

### CÓMO EVITARLO

Utilice un medidor de presión de neumáticos para controlar la presión de éstos antes de cada uso y mientras los infla; observe el flanco para ver la presión correcta del neumático.

**NOTA:** Los tanques de aire, los compresores y el equipo similar que se usa para inflar neumáticos pueden llenar neumáticos pequeños como éstos con mucha rapidez. Ajuste el regulador de presión sobre el suministro de aire a un valor no superior a la calificación de la presión del neumático. Agregue aire en forma gradual y use con frecuencia el medidor de presión de neumáticos para evitar inflarlos en exceso.

- La pulverización de líquidos a alta velocidad dirigida hacia los flancos de los neumáticos (como los de los automóviles, remolques y otros vehículos similares) podría dañar el flanco y provocar lesiones graves.

En las lavadoras a presión de más de 1600 PSI (110 barios) utilice la pulverización en abanico más ancha (boquilla de 40°) y pulverice a una distancia mínima de 20 cm (8 pulg.) del flanco del neumático. No pulverice directamente sobre la unión entre el neumático y el borde.



## ⚠ ADVERTENCIA: RIESGO DE SUPERFICIES CALIENTES

### ¿QUÉ PUEDE SUCEDER?

- El contacto con superficies calientes, tales como los componentes de escape de motores, podría causar quemaduras graves.

### CÓMO EVITARLO

Durante la operación, toque solamente las superficies de los controles de la lavadora a presión. Mantenga a los niños alejados de la lavadora a presión en todo momento. Es posible que ellos no reconozcan los peligros de este producto.



## ⚠ ADVERTENCIA: RIESGO DE QUEMADURA QUÍMICA

### ¿QUÉ PUEDE SUCEDER?

- El uso de ácidos, químicos tóxicos o corrosivos, venenos, insecticidas o cualquier tipo de solvente inflamable con este producto podría provocar una lesión grave o la muerte

### CÓMO EVITARLO

- No utilice ácidos, gasolina, kerosén o cualquier otro material inflamable en este producto. Sólo use detergentes, limpiadores y desgrasadores domésticos recomendados para su aplicación en lavadoras de presión.
- Utilice ropa que le proteja los ojos y la piel del contacto con los materiales pulverizados.



## ⚠ ADVERTENCIA: RIESGO DE DESCARGA ELÉCTRICA

### ¿QUÉ PUEDE SUCEDER?

- La pulverización de tomacorrientes o interruptores eléctricos, u objetos conectados a un circuito eléctrico podría provocar una descarga eléctrica fatal.

### CÓMO EVITARLO

- La pulverización de tomacorrientes o interruptores eléctricos, u objetos conectados a un circuito eléctrico podría provocar una descarga eléctrica fatal.



## ⚠ ADVERTENCIA: RIESGO DE LESIÓN POR LEVANTAR MUCHO PESO

### ¿QUÉ PUEDE SUCEDER?

- El intento de levantar un objeto muy pesado puede provocar lesiones graves.

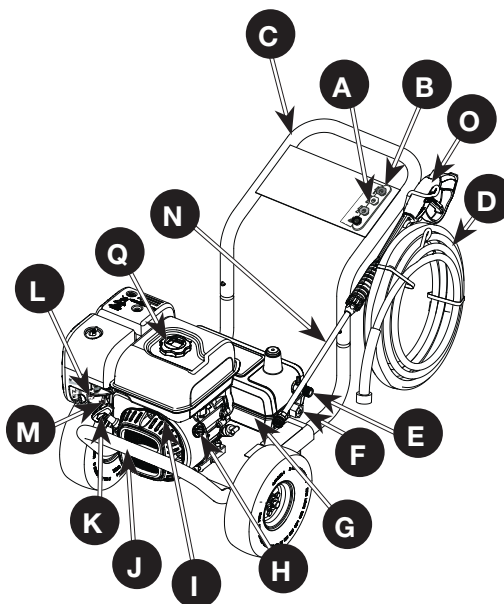
### CÓMO EVITARLO

- La lavadora a presión es demasiado pesada como para que la levante una sola persona. Consiga la ayuda de otras personas para levantarla.

## LEA Y CONSERVE ESTAS INSTRUCCIONES

### FAMILIARÍCESE CON LA LAVADORA A PRESIÓN

Compare las ilustraciones con su unidad para familiarizarse con la ubicación de sus controles y regulaciones. Conserve este manual para referencias futuras.

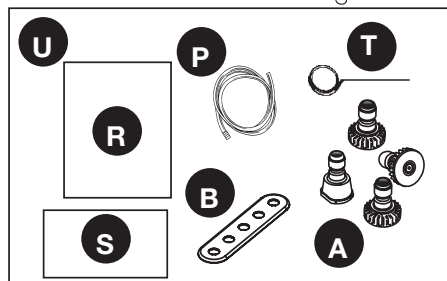
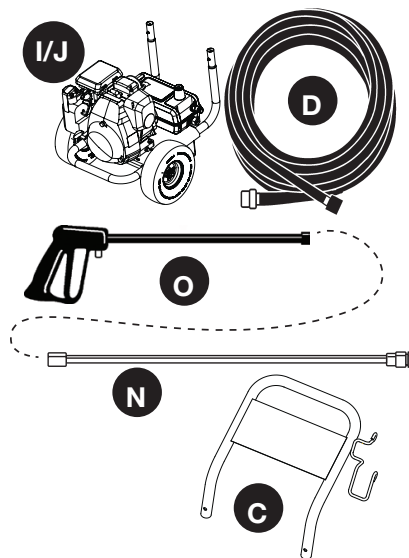


- A. Boquillas de conexión rápida
- B. Portaboquillas
- C. Manillar
- D. Manguera de alta presión: Lleva el agua a presión desde la bomba a la pistola y el tubo aplicador.
- E. Salida de la bomba
- F. Entrada de la bomba
- G. Bomba de alta presión (ubicada en el interior del casco): Incrementa la presión del suministro de agua.
- H. Interruptor de encendido/apagado del motor: Conecta y desconecta el sistema de ignición del motor..
- I. Motor: Acciona la bomba de alta presión. Refer to the engine manual for location and operation of engine controls.
- J. Marco
- K. Manija de arranque: Tirando esta manija se acciona el arrancador con resorte de retroceso que arranca el motor.
- L. Control de cebado: Abre y cierra la válvula de cebado del carburador.
- M. Leva de la válvula combustible: Abre y cierra la conexión entre el tanque de combustible y el carburador.
- N. Tubo Aplicador de Conexión Rápida: Permite que el usuario cambie las boquillas de alta presión rápidamente. Refiérase a las instrucciones **Para su Uso**.
- O. Pistola rociadora: Se conecta al tubo aplicador para controlar el volumen del flujo del agua, su dirección y la presión.
- P. Manguera para Químicos (no mostrada): Alimenta los líquidos limpiadores a la bomba para mezclarlos con agua. Refiérase a las instrucciones **Para la Aplicación de Químicos y Solventes Limpiadores**.
- Q. Relleno de gas

### CONTENIDO DE LA CAJA

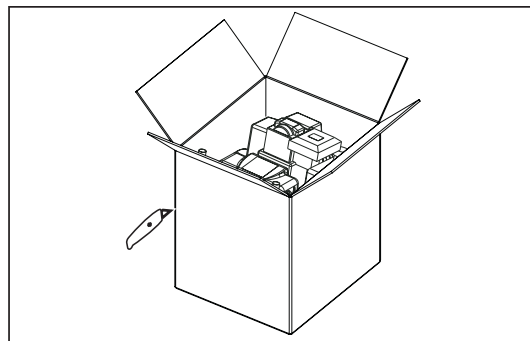
- A. Boquillas de conexión rápida
- B. Portaboquillas
- C. Manillar
- D. Manguera de alta presión

- I/J. Bastidor del motor y conjunto de ruedas
- N. Tubo aplicador de conexión rápida
- O. Pistola rociadora
- P. Manguera de químicos
- R. Manual del operador
- S. Manual del motor
- T. Herramienta limpiadora de boquillas
- U. Piezas embolsadas

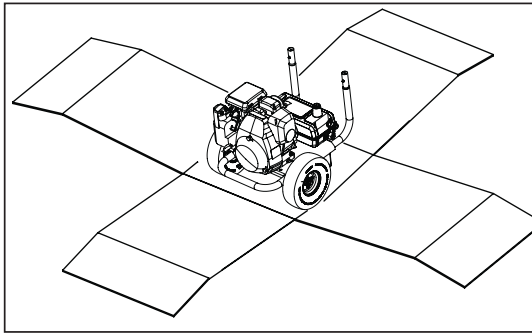


### INSTRUCCIONES PARA ARMAR

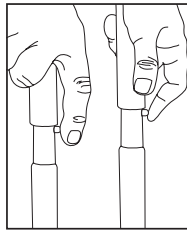
1. **Busque todas las partes sueltas** de la caja y retírelas.
2. **Corte las cuatro** esquinas de la caja desde la parte superior hacia abajo y coloque los paneles en posición horizontal.





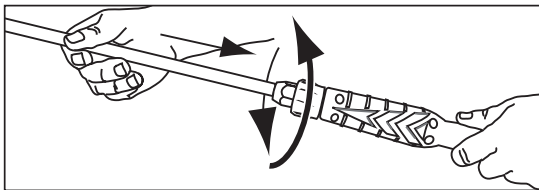


3. **Coloque el manillar (C) en el bastidor (J)**, presione los botones de enganche y deslice el manillar en el bastidor hasta que los botones enganchen en posición.

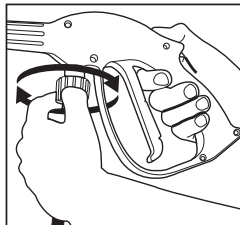


**⚠ ATENCIÓN: Risk of personal injury. Avoid placing hands between handle and frame when assembling to prevent pinching.**

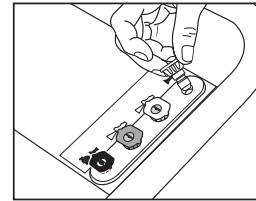
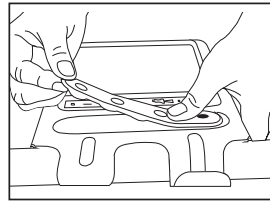
4. **Conecte el tubo aplicador (N) a la pistola (O) y ajústelo firmemente.**



5. **Conecte la manguera de alta presión (D) a la pistola (O) y ajústela firmemente.**



6. Coloque el portaboquillas (B) en el panel (ubicado en el mango) y presione cada boquilla en su abrazadera en el portaboquillas.
7. Saque las cuatro boquillas (A) de conexión rápida de la bolsa plástica e insértelas en las abrazaderas correspondientes en el portaboquillas. **NOTA:** Las boquillas están codificadas por colores que coinciden con su abrazadera en el panel.



**NOTA:** La bomba de alta presión se llenó en la fábrica con un aceite diseñado a durar toda la vida útil de la bomba. Si se presentase algún problema con la bomba, comuníquese con un Servicentro Autorizado.

8. **Retire la unidad de la caja y deseche esta última.**

**⚠ ADVERTENCIA: Antes de hacer funcionar la lavadora a presión, extraiga el tapón usado para el embarque y reemplácelo por el tapón con varilla medidora de aceite.**

**NOTA:** Los tanques de aire, los compresores y el equipo similar que se usa para inflar neumáticos puede llenar neumáticos pequeños como éstos con mucha rapidez. Ajuste el regulador de presión en el suministro de aire a un valor que no supere el de la presión del neumático. Agregue aire en forma gradual y use con frecuencia el medidor de presión de neumáticos para evitar inflarlos.

## INSTRUCCIONES DE OPERACIÓN

### TERMINOLOGÍA DE LA LAVADORA A PRESIÓN

**PSI:** (Pounds per Square Inch) Lb/Pulg<sup>2</sup>. Es una unidad de medida para la presión del agua. También se usa para medir la presión neumática, presión hidráulica, etc. Equivale a 49 pascales.

**GPM: (Gallons per Minute).** Galones por minuto. Es la unidad de medida para el flujo de agua. Equivale a 6,89 kPa.

**CU:** (Unidades de limpieza) GPM multiplicadas por psi. lpm • kPa = Unidades limpiadoras

**Modo de Derivación:** Permite que el agua recircule dentro de la bomba cuando el gatillo no está presionado.

**ATENCIÓN:** No permita que la unidad funcione por más de dos minutos sin apretar el gatillo porque se recalentará y se dañará bomba.

**Válvula térmica de seguridad (no mostrada):** Cuando la temperatura dentro bomba se eleva demasiado, la válvula se abre y deja escapar un chorro de agua para bajar la temperatura. Luego se cierra la válvula.

**Sistema de Inyección de Productos Químicos:** Mezcla los limpiadores o solventes con agua para mejorar la eficiencia del lavado.

**Suministro de agua:** Todas las lavadoras a presión deben tener un suministro de agua. Los requerimientos mínimos para el suministro del agua son 137,8 kPa y 22,7 L/min (5 Gal/min).

## CARACTERÍSTICAS DE OPERACIÓN DE LA LAVADORA A PRESIÓN

### Regulación de la Presión

La presión viene regulada de fábrica con el objeto de lograr la presión óptima para la limpieza. Si usted necesitase reducir la presión, podrá hacerlo con los siguientes métodos:

1. **Retírese de la superficie por lavarse.** Cuanto más alejado usted se encuentre, menor presión habrá sobre la superficie a lavarse.
2. **Cambie a la boquilla de 40° - (blanca),** esta boquilla produce un chorro menos potente de agua y un patrón de rociado más amplio.

**ATENCIÓN:** No intente incrementar la presión de la bomba. Una graduación superior a la que trae de fábrica puede dañar la bomba.

### Boquillas para la varilla pulverizadora

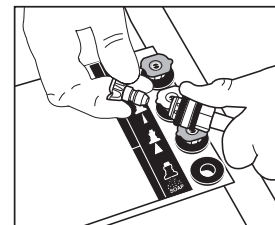
Las boquillas para la varilla pulverizadora están guardadas en el soporte para boquillas en el ensamblado del panel. Los colores del panel identifican la ubicación de la boquilla y el patrón de pulverización. Consulte el cuadro siguiente a fin de elegir la boquilla correcta para el trabajo por realizar.

### Cambio de las Boquillas de la Varilla Pulverizadora





**⚠ DANGER:** Riesgo de inyección de líquido. No dirija el flujo de agua hacia personas, piel y ojos desprotegidos, ni animales o mascotas. Se producirán lesiones graves.

**⚠ ADVERTENCIA:** Los objetos despididos podrían causar lesiones graves. NO intente cambiar las boquillas mientras la lavadora a presión está funcionando. Apague el motor antes de hacerlo.

1. Tire el acople de conexión rápida hacia atrás e inserte la boquilla.
2. Libere el acople y gire la boquilla para asegurarse de que está asegurada dentro del acople.



**⚠ ADVERTENCIA:** Los objetos despididos podrían causar lesiones graves. Asegúrese de que la boquilla esté completamente insertada en el adaptador de conexión rápida y que el anillo a presión de conexión rápida esté totalmente trabado (hacia adelante) antes de oprimir el disparador de la pistola.

Color de la Boquilla	Patrón (Abanico) de Rociado	Usos	Superficies *
<b>Rojo</b>	0° 	gran capacidad de localización para limpiar manchas en superficies difíciles y sin pintar o para alcanzar áreas elevadas	hormigón o metal sin pintar NO usar en madera
<b>Amarillo</b>	15° 	limpieza intensa de superficies difíciles y sin pintar	parrillas, entradas de automóviles, sendas de ladrillo u hormigón, estuco o ladrillo sin pintar
<b>Blanco</b>	40° 	limpieza de superficies pintadas o delicadas	Automóviles/vehículos recreativos, embarcaciones, madera, estuco y ladrillo pintado, vinilo, revestimiento exterior pintado
<b>Negro</b>	low pressure 	applies cleaning solutions	la pulvérisation à faible pression est sécuritaire pour toutes les surfaces. toujours vérifier la compatibilité des solutions nettoyantes avant leur utilisation.

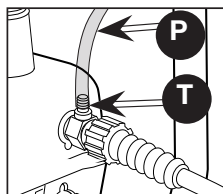
\* **⚠ ATENCIÓN:** El chorro de alta presión de la lavadora puede dañar superficies como: madera, vidrio, pintura de automóviles, molduras y decoraciones de automóviles y objetos delicados tales como flores y arbustos. Antes de rociar, examine el objeto a lavarse para asegurarse que sea lo suficientemente robusto como para que no se dañe con la fuerza del chorro.

### Cómo Emplear Productos Químicos y Solventes Para Limpieza

El empleo de productos químicos o solventes para limpieza es una operación de baja presión. **NOTA:** Utilice solamente jabones y productos químicos diseñados para el uso en lavadoras a presión. No use blanqueadores.

#### Aplicación de productos químicos:

1. Presione la manguera de productos químicos (P) en el acople (T) arponado ubicado cerca de la conexión de la manguera de alta presión de la bomba tal como se muestra.



2. Coloque el otro extremo de la manguera de productos químicos (con su filtro instalado) dentro del contenedor del producto químico o solución de limpieza. **NOTA:** Se usa 3,785 litros de solución química limpiadora por cada 26,495 litros de agua que se bombea.
3. **Regule la boquilla multirregulable** para la presión más baja. Lea el párrafo **Uso del Tubo Aplicador**, en esta sección.
4. **Luego de usar productos químicos**, coloque la manguera dentro de un recipiente con agua limpia y succiónela a través del sistema de inyección química, a fin de enjuagar el sistema completamente. Si los productos químicos permaneciesen en la bomba, ésta podría

dañarse. Los daños a las bombas ocasionados por productos químicos no están cubiertos por la garantía.

**NOTA:** Cuando el tubo aplicador esté regulado para presión alta, no succionará los productos químicos o jabón.

**⚠ AVERTENCIA:** Para reducir el riesgo de lesión, lea los manuales de instrucciones de la lavadora a presión y del motor antes de poner en marcha la unidad.

**⚠ PELIGRO:** Riesgo de inyección de líquido y laceración Cuando utilice la configuración de alta presión, NO permita que el pulverizador entre en contacto con personas, piel y ojos desprotegidos, ni con animales o mascotas. Se producirán lesiones graves.

- Su lavadora opera el líquido con una presión y velocidad lo suficientemente altas como para penetrar la carne humana y animal, y esto podría provocar una amputación u otra lesión grave. Las pérdidas causadas por accesorios sueltos o mangueras dañadas pueden provocar lesiones por inyección. NO TRATE LA INYECCIÓN DE LÍQUIDO COMO SI FUERA UN SIMPLE CORTE. Consulte a un médico de inmediato.

**⚠ AVERTENCIA:** Riesgo de incendio, asfixia y quemadura. Nunca llene el tanque de combustible cuando el motor esté encendido o caliente. No fume mientras llena el tanque.

- Nunca llene el tanque de combustible por completo. Llene el tanque hasta 12,7 mm (1/2 pulg.) por debajo de la parte inferior del cuello de llenado, a fin de brindar espacio para la expansión del combustible. Limpie cualquier derrame de combustible del motor y el equipo antes de poner en marcha el motor.
- Nunca encienda el motor bajo techo ni en áreas cerradas y poco ventiladas. El escape del motor

contiene monóxido de carbono, un gas inodoro que es fatal.

- NO deje que las mangueras entren en contacto con el silenciador del motor, que estará muy caliente, durante o inmediatamente después de usar la lavadora a presión. La garantía NO cubrirá el daño a las mangueras que se produzca por el contacto con superficies muy calientes del motor.

**ATENCIÓN:** Riesgo de daño a la propiedad. Nunca tire de la manguera de suministro de agua para mover la lavadora a presión. Esta acción podría dañar la manguera y/o la entrada de la bomba.

- NO use agua caliente, sólo agua fría.
- Nunca cierre el suministro de agua mientras el motor de la lavadora a presión esté encendido, esto dañaría la bomba.
- NO detenga la pulverización de agua durante más de dos minutos por vez. La bomba opera en modo de derivación cuando no se presiona el disparador de la pistola pulverizadora. Si la bomba queda en modo de derivación durante más de dos minutos, sus componentes internos podrían dañarse.

Si no comprende estas instrucciones, sírvase llamar al **1-800-544-6986**, para conversar con un representante de servicio que le provea información adicional

## ARRANQUE

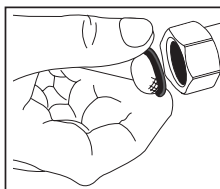
**Antes de arrancar, refiérase al procedimiento de arranque en el manual de su motor.**

1. **En una zona bien ventilada externa**, agregue gasolina nueva, de alta calidad, sin plomo, identificada en el surtidor de combustible con 86 octanos o más. No llene en exceso. Limpie cualquier derrame de combustible del motor y del equipo antes de poner el motor en marcha. Para informarse del procedimiento correcto, refiérase al manual del motor.

2. **Verifique el nivel de aceite del motor.** Para informarse del procedimiento correcto, refiérase al manual del propietario del motor.

3. **Conecte la manguera de agua a la fuente de agua.** Abra la fuente de agua para quitarle todo el aire a la manguera. Cuando haya un flujo de agua constante, apague la fuente de agua.

4. **Verifique que la malla del filtro** esté en la entrada de agua de la bomba. **NOTA:** El cono hacia afuera.



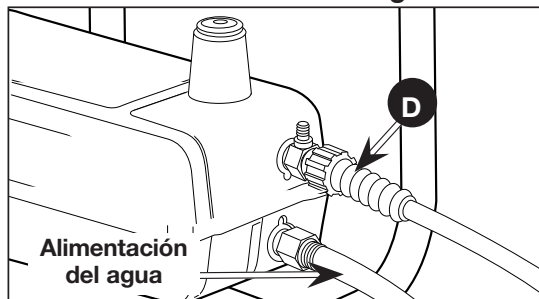
5. Conecte el suministro de agua a la entrada de la bomba. **NOTA:** El agua suministrada debe tener un promedio de 18,925 l/min (5 galones) por minuto a 137,8 kPa.

**⚠ AVERTENCIA:** Para reducir la posibilidad de contaminación proteja siempre el sistema contra la contracorriente cuando realice una conexión al sistema de agua potable.

6. **Conecte** la manguera de alta presión a la salida de la bomba.

7. **Si intenta aplicar una solución química o de limpieza,** refiérase a las instrucciones **Para su Uso** en esta sección.

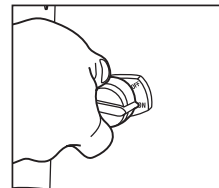
8. **Abra el suministro de agua.**



**ATENCIÓN:** Riesgo de daño a la propiedad. La acción contraria podría dañar la bomba.

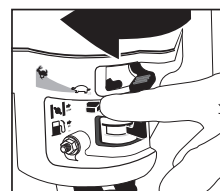
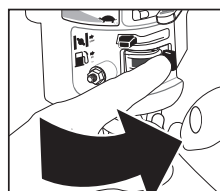
9. **Elimine todo el aire de la bomba** y la manguera de alta presión presionando el disparador hasta que haya un flujo constante de agua.

10. Ponga el interruptor de ENCENDIDO/APAGADO (H) del motor en la posición de ENCENDIDO.



11. Coloque la palanca de la válvula de combustible (M) en la posición de ENCENDIDO (ON).

12. Si el motor está frío, mueva el estrangulador (L) a la posición de CERRADO, como se muestra.



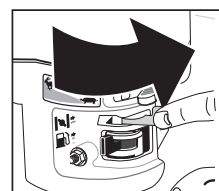
13. **⚠ADVERTENCIA:** Riesgo de operación insegura. Tire de la agarradera de arranque lentamente hasta sentir cierta resistencia. Luego, tire de la agarradera de arranque (I) rápidamente para evitar el retroceso y que se produzcan lesiones en las manos o los brazos.

**NOTA:** No permita que la agarradera de arranque vuelva a su posición. Lentamente, colóquela nuevamente en posición en forma manual.

**⚠ADVERTENCIA:** Riesgo de operación insegura. Si el motor no arranca después de tirar dos veces, apriete el disparador de la pistola para liberar la presión de la bomba. Tire del cable de arranque lentamente hasta sentir cierta resistencia. Entonces, tire de él rápidamente para evitar el retroceso y que se produzcan lesiones en las manos o los brazos.

**NOTA:** Si el nivel de aceite del motor es bajo, el motor no arrancará. Si el motor no arranca, controle el nivel de aceite y agregue aceite según sea necesario.

14. A medida que el motor se caliente, mueva el estrangulador hacia la POSICIÓN DE abierto.

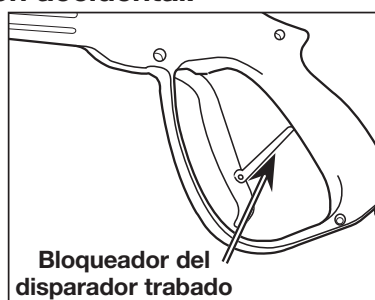


15. Presione el disparador de la pistola para que empiece a fluir el agua.

**⚠ AVERTENCIA: Riesgo de operación insegura. Párese en una superficie estable y agarre la pistola/varilla firmemente con ambas manos. Espere que la pistola retroceda cuando la dispare.**

16. Suelte el gatillo para detener el flujo de agua.

**⚠ DANGER: Riesgo de lesión por pulverización. Trabe el bloqueador del disparador cuando la pistola no esté en uso, a fin de evitar la pulverización accidental.**



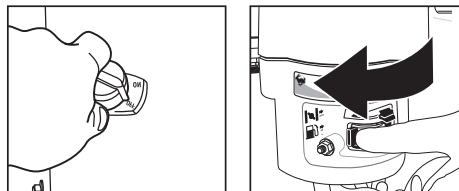
17. Regule la boquilla para el patrón de rociado para la tarea que piensa efectuar. Lea las instrucciones en "Uso del Tubo Aplicador", en esta sección.

## APAGADO

1. Luego de cada uso, si usted ha utilizado productos químicos, coloque la manguera de productos químicos dentro de un recipiente con agua limpia y succiónela a través del sistema de inyección química, a fin de enjuagar el sistema completamente.

**ATENCIÓN: Riesgo de daño a la propiedad. La acción contraria podría dañar la bomba.**

2. Coloque el interruptor de ENCENDIDO/APAGADO (ON/OFF) del motor en la posición de APAGADO (OFF).
3. Coloque la palanca de la válvula de combustible (M) en la posición de APAGADO (OFF).



**ATENCIÓN: Riesgo de daño a la propiedad. NUNCA corte el suministro del agua mientras el motor esté en marcha.**

3. Corte el suministro del agua.
4. Presione el gatillo de la pistola rociadora para aliviar cualquier presión de agua dentro de la manguera o la pistola rociadora.
5. Ver la sección almacenaje en este manual para informarse del procedimiento adecuado.

## MANTENIMIENTO

**⚠ ADVERTENCIA: Riesgo de quemadura. Cuando realice el mantenimiento, es posible que se exponga a superficies calientes, presión de agua o partes móviles, que pueden causar lesiones graves o la muerte.**

**⚠ ADVERTENCIA: Riesgo de incendio. Siempre desconecte el cable de la bujía, deje que el motor se enfríe y libere toda la presión del agua antes de realizar cualquier tarea de mantenimiento o reparación. El motor contiene combustible inflamable. No fume ni trabaje cerca de llamas mientras hace el mantenimiento.**

Para asegurar el funcionamiento eficiente y una larga vida de su lavadora a presión, se debe preparar y seguir un programa rutinario de mantenimiento. Si la lavadora a presión se usa en condiciones inusuales, como de alta temperatura o polvo, se requiere un mantenimiento más frecuente.

### Motor

Para todas las operaciones de mantenimiento del motor, refiérase a las recomendaciones del fabricante en su Manual del Propietario.

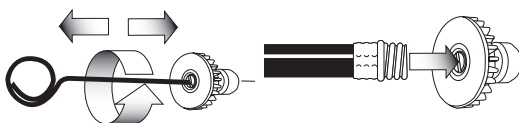
## Bomba

El aceite en la bomba de alta presión está diseñado para que dure toda la vida útil de la bomba. Si se presentase algún problema con la bomba, comuníquese con un Servicentro Autorizado.

## Limpieza de la Boquilla

Si la boquilla comienza a obstruirse con materiales extraños como suciedad, se puede una presión excesiva. Si se obstruye o restringe parcialmente, la presión de la bomba pulsará. Limpie la boquilla inmediatamente usando el juego limpiador provisto y las siguientes instrucciones:

1. Apague la lavadora a presión y corte el suministro de agua.
2. Apriete el gatillo de la pistola para aliviar la presión del agua.
3. Desconecte el tubo aplicador de la pistola.
4. Saque la boquilla del extremo del tubo aplicador. Elimine cualquier obstrucción de la boquilla con la herramienta limpiadora para boquilla provista y lávela en dirección contraria con agua limpia.

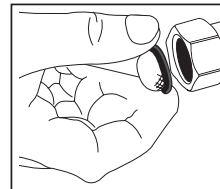


5. Para eliminar las partículas sueltas, dirija el chorro de agua de la llave por 30 segundos a la boquilla por su extremo de salida
6. Reinstale la boquilla en el tubo aplicador.
7. Reconecte el tubo aplicador a la pistola y abra la llave de agua.
8. Para probar la boquilla, ponga en marcha la lavadora a presión y gradúe la boquilla del tubo aplicador para el máximo de presión.

## Cómo Limpiar el Filtro de Entrada del Agua

Este filtro de malla debe revisarse periódicamente y limpiarse cuando sea necesario.

1. Quite el filtro agarrándolo firmemente del extremo y sáquelo de la entrada del agua a la bomba, como se muestra.



2. Limpie el filtro enjuagándolo con agua por ambos lados.
3. Reinserte el filtro en la entrada de agua de la bomba. **NOTA:** La parte cónica hacia arriba.

**NOTA:** No opere la lavadora a presión sin el filtro instalado adecuadamente.

## ALMACENAJE

### Motor

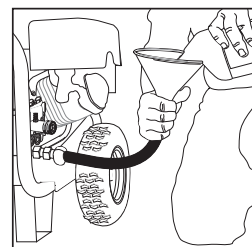
Vea las recomendaciones para el almacenaje en el Manual del Propietario de su motor.

### Bomba

El fabricante recomienda que se utilice un protector/protector de invierno para bombas, cuando almacene la unidad durante más de 30 días y/o cuando estén pronosticadas heladas. El un protector/protector de invierno está disponible en la tienda donde se adquirió la lavadora a presión. Si no dispone de estos protectores, es necesario hacer pasar anticongelante para vehículos recreativos (RV) por la bomba, como se describió en los pasos anteriores.

**NOTA:** El uso de un protector/protector de invierno para bombas o anticongelante RV tiene como fin brindarle una lubricación adecuada a los sellos internos de la bomba, independientemente de la temperatura o el entorno.

1. Consiga un embudo, 172 ml (6 onzas) de anticongelante RV y una manguera de jardín de entre 40 y 91cm (16 a 36 pulg.) con un conector macho de mangueras unido a un extremo.

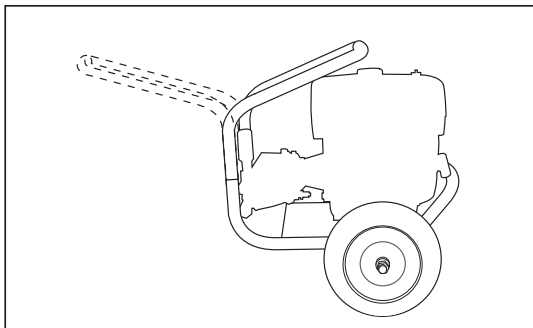


**ATENCIÓN:** Riesgo de daño a la propiedad. Use sólo anticongelante RV. Cualquier otro tipo de anticongelante es corrosivo y puede dañar la bomba. **2.** Desconecte el cable de la bujía.

3. Conecte la manguera de jardín a la entrada de agua de la bomba.
4. Agregue anticongelante RV a la manguera, tal como se muestra.
5. Tire de la cuerda de arranque varias veces hasta que el anticongelante salga por la conexión para manguera de alta presión de la bomba.
6. Quite la manguera de jardín de la entrada de agua de la bomba.
7. Vuelva a conectar el cable de la bujía.

### Lavadora a Presión

1. **Drene toda el agua de la manguera de alta presión,** enróllela y guárdela sobre el soporte del manillar de la lavadora a presión.
2. **Drene toda el agua de la pistola y la varilla rociadora,** sujetándola en posición vertical, con la boquilla apuntando hacia abajo, mientras presiona el gatillo. Cuelgue las mangueras en el soporte para mangueras / pistola.
3. Guarde la manguera de químicos protegida contra daños.
4. Si se necesita espacio, saque los mangos y póngalos como se muestra.



## ACCESORIOS

**⚠ PELIGRO:** Riesgo de inyección de líquido. Cuando utilice las lanzas o pistolas de repuesto con esta lavadora a presión, **NO** utilice una lanza o una combinación de lanza/pistola que sea más corta en longitud que la que se suministró con esta lavadora a presión. Esta longitud se mide desde el extremo de la boquilla de la lanza hasta el disparador de la pistola.

**ATENCIÓN:** El uso de accesorios no recomendados con esta herramienta puede resultar peligroso. Use solamente accesorios de marca ya que tienen una capacidad nominal igual o mayor que la capacidad nominal de la lavadora a presión.

## ESPECIFICACIONES

Modelo	BDP3100
PSI Max*	3100 (21374 kPa)
PSI de Operación	2790 (19236 kPa)
GPM Max*	2.6
GPM de Operación	2.34

\* \*Valores máximos de flujo y presión de agua determinados de acuerdo con la norma PW101 de la PWMA (Asociación de fabricantes de lavadoras a presión).

## INFORMACIÓN DE SERVICIO

**No regrese este producto al vendedor.** Black & Decker ofrece una red completa de centros de servicio y centros autorizados en toda Norteamérica. Todos los centros de servicio Black & Decker disponen de personal entrenado para dar un servicio eficiente y confiable a las herramientas eléctricas de sus clientes. De necesitar orientación técnica, reparación o repuestos originales de fábrica, diríjase al centro Black & Decker local. Para hallar la ubicación del centro de servicio más cercano, busque en las páginas amarillas de la guía telefónica bajo "Herramientas—Eléctricas" o llame a: **1-800-544-6986.**



## GARANTÍA DE DOS AÑOS PARA USO DOMÉSTICO

### GARANTÍA LIMITADA PARA LOS COMPONENTES DEL PRODUCTO, A EXCEPCIÓN DE LA BOMBA

Black & Decker (EE. UU.) Inc. garantiza al comprador original que la estructura, las ruedas, la pistola la manguera, la varilla, las boquillas pulverizadoras y demás componentes de las lavadoras a presión Black & Decker cubiertas por esta garantía no tendrán defectos de material ni de fabricación durante dos años a partir de la fecha de compra.

### GARANTÍA LIMITADA PARA LA BOMBA

Black & Decker garantiza al comprador original que la bomba de las lavadoras a presión Black & Decker cubiertas por esta garantía no tendrán defectos de material ni de fabricación durante dos años a partir de la fecha de compra. La garantía limitada de dos años se aplica sólo a la bomba.

Black & Decker reparará o reemplazará, según su elección, los productos o componentes que fallen dentro de los períodos de garantía mencionados anteriormente. El servicio de mantenimiento se programará de acuerdo con el flujo de trabajo normal y el horario comercial en el centro de mantenimiento, y la disponibilidad de las piezas de repuesto. Todas las decisiones de Black & Decker con respecto a esta garantía limitada serán definitivas.

Esta garantía le concede derechos legales específicos; pueden existir otros derechos que varíen según el estado.

### RESPONSABILIDAD DEL COMPRADOR ORIGINAL (USUARIO INICIAL):

- Para procesar un reclamo de garantía para su lavadora a presión Black & Decker, devuélvala al lugar de compra.
- Conserve el recibo de venta original de caja como comprobante de

la compra para el trabajo de la garantía.

- Tenga un cuidado razonable en la operación y el mantenimiento del producto, según se describe en los Manuales del usuario.

### ESTA GARANTÍA NO CUBRE:

- Mercadería vendida como reacondicionada, utilizada como equipo de alquiler o modelos de exhibición.
- Mercadería dañada o que no funciona debido a desgaste común, uso incorrecto, frío, calor, lluvia, humedad excesiva, daño por congelamiento, uso de productos químicos inadecuados, negligencia, accidente, no operar el producto de acuerdo con las instrucciones provistas en los Manuales del usuario suministrado con el producto, mantenimiento inapropiado, el uso de accesorios o dispositivos no recomendados por Black & Decker, o reparación o alteraciones no autorizadas.
- Costos de reparación y transporte de mercadería que no está defectuosa.
- Costos asociados con el montaje, el aceite requerido, ajustes u otros costos de instalación y arranque.
- Piezas o accesorios prescindibles suministrados con el producto, que se espera no funcionen o no se puedan utilizar luego de un período razonable de uso, que pueden incluir, entre otros, resortes, boquillas, juntas tóricas, arandelas y accesorios similares.
- Mercadería vendida por Black & Decker que haya sido fabricada por otra compañía e identificada como el producto de esa compañía, como motores a gasolina. En este caso, y de existir, se aplicará la garantía del fabricante del producto.
- **ESTA GARANTÍA NO CUBRE PÉRDIDAS, DAÑOS NI GASTOS INCIDENTALES, INDIRECTOS O RESULTANTES QUE PUEDAN SURGIR DE**

**CUALQUIER DEFECTO, FALLA O FUNCIONAMIENTO INCORRECTO DEL PRODUCTO.**

Algunos estados no permiten la exclusión o limitación de los daños incidentales o resultantes, por lo que la limitación o exclusión anterior puede no aplicarse a usted.

- **LAS GARANTÍAS IMPLÍCITAS, INCLUIDAS LAS DE COMERCIALIDAD O IDONEIDAD**

**PARA UN PROPÓSITO DETERMINADO, SE LIMITAN A DOS AÑOS A PARTIR DE LA FECHA DE LA COMPRA ORIGINAL.**

Algunos estados no permiten limitaciones sobre el período de duración de una garantía implícita, por lo que las limitaciones anteriores pueden no aplicarse a usted.

**Para reparación y servicio de sus herramientas eléctricas, favor de dirigirse al Centro de Servicio más cercano**

**CULIACAN, SIN**

Blvd. Emiliano Zapata 5400-1 Poniente  
Col. San Rafael

(667) 717 89 99

**GUADALAJARA, JAL**

Av. La Paz #1779 - Col. Americana Sector Juárez

(33) 3825 6978

**MEXICO, D.F.**

Eje Central Lázaro Cárdenas No. 18  
Local D, Col. Obrera

(55) 5588 9377

**MERIDA, YUC**

Calle 63 #459-A - Col. Centro

(999) 928 5038

**MONTERREY, N.L.**

Av. Francisco I. Madero 831 Poniente - Col. Centro

(818) 375 23 13

**PUEBLA, PUE**

17 Norte #205 - Col. Centro

(222) 246 3714

**QUERETARO, QRO**

Av. San Roque 274 - Col. San Gregorio

(442) 2 17 63 14

**SAN LUIS POTOSI, SLP**

Av. Universidad 1525 - Col. San Luis

(444) 814 2383

**TORREON, COAH**

Blvd. Independencia, 96 Pte. - Col. Centro

(871) 716 5265

**VERACRUZ, VER**

Prolongación Díaz Mirón #4280 - Col. Remes

(229) 921 7016

**VILLAHERMOSA, TAB**

Constitución 516-A - Col. Centro

(993) 312 5111

**PARA OTRAS LOCALIDADES:**

Si se encuentra en México, por favor llame al (55) 5326 7100

Si se encuentra en U.S., por favor llame al  
1-800-544-6986

SOLAMENTE PARA PROPÓSITO DE MÉXICO:  
IMPORTADO POR: BLACK & DECKER S.A. DE C.V.  
BOSQUES DE CIDROS, ACCESO RADIATAS NO.42

3A. SECCIÓN DE BOSQUES DE LAS LOMAS

DELEGACIÓN CUAJIMALPA,

05120, MÉXICO, D.F.

TEL. (52) 555-326-7100

R.F.C.: BDE810626-1W7

Para servicio y ventas consulte  
"HERRAMIENTAS ELECTRICAS"  
en la sección amarilla.



## GUÍA DE DIAGNÓSTICO DE PROBLEMAS

PROBLEMA	CAUSA	CORRECCIÓN
El motor no arranca (vea el diagnóstico de problemas en el manual del motor).	Sin combustible.	Agregue combustible.
	Acumulación de presión después de tirar dos veces de la cuerda del arrancador o después de iniciar su uso.	Apriete el gatillo de la pistola para aliviar la presión.
	La leva de cebado (choke) está en la posición de "No Choke".	Mueva la leva de cebado a la posición de "Choke".
	El cable de la bujía está desconectado	Conecte el cable de la bujía.
	El interruptor del motor está en apagado en la posición "OFF"	Encienda el motor moviendo el interruptor a la posición "ON".
	La leva de cebado (choke) está en la posición de "Choke" cuando el motor está "caliente" o ha estado expuesto al calor por un largo periodo.	Mueva la leva de cebado (choke) a la posición de "No Choke".
	La válvula del combustible está cerrada.	Mueva la palanca de la válvula del aceite a la posición ABIERTA.
No hay presión o está baja al comenzar a usar.	La boquilla del tubo aplicador no está graduada para alta presión.	Refiérase a las instrucciones para el <i>Uso del Tubo Aplicador</i> en la sección <b>Operación</b> .
	Poca agua en el suministro.	El suministro de agua debe tener por lo menos 19 L/min a 138 kPa (5 GPM a 20 psi).
	Fuga en la conexión de la manguera de alta presión.	Repare la fuga. Aplique cinta selladora si fuese necesario.
	Boquilla obstruida.	Refiérase a las instrucciones para el <i>Uso del Limpiador de Boquillas</i> en la sección <b>Mantenimiento</b> .
	La malla filtrante de agua está obstruida.	Elimine la obstrucción y limpie la malla filtrante.
No hay presión o está baja al comenzar a usar.	Aire en la manguera.	Apague el motor, luego corte el suministro de agua y desconéctelo de la entrada a la bomba. Abra el suministro de agua para eliminar todo el aire que haya en la manguera. Cuando el flujo de agua sea constante, ciérrrelo, conéctelo a la entrada de la bomba y ábralo. Apriete el gatillo para eliminar el aire restante.
	La leva de cebado (choke) está en la posición de "Choke".	Mueva la leva a la posición de "No Choke".
	La manguera de alta presión es demasiado larga.	Utilice una manguera de alta presión de menos de 30 m (100 pies).

<b>PROBLEMA</b>	<b>CAUSA</b>	<b>CORRECCIÓN</b>
No succiona productos químicos.	El tubo aplicador no está graduado para baja presión .	Vea el procedimiento para el <i>Uso del Tubo Aplicador</i> en la sección <b>Operación</b> .
	El filtro de productos químicos está obstruido.	Limpie el filtro.
	La malla para químicos no está en la solución limpiadora.	Asegúrese que el extremo de la manguera para químicos esté sumergida completamente en la solución limpiadora.
	El producto químico está demasiado espeso.	Diluya más el producto químico. Debe tener la misma consistencia del agua.
	La manguera de alta presión es demasiado larga.	Alargue la manguera de suministro de agua en vez de la manguera de alta presión.
	Acumulación de sedimentos químicos en el inyector.	Póngase en contacto con un representante de servicio al cliente de B&D llamando al <b>1-800-544-6986</b> .
No hay presión o está baja después de un tiempo normal de uso.	Sello o empaquetadura gastada.	Póngase en contacto con un representante de servicio al cliente de B&D llamando al <b>1-800-544-6986</b> .
	Válvulas gastadas u obstruidas.	Póngase en contacto con un representante de servicio al cliente de B&D llamando al <b>1-800-544-6986</b> .
	Pistón de descarga gastado.	Póngase en contacto con un representante de servicio al cliente de B&D llamando al <b>1-800-544-6986</b> .
Agua goteando por la conexión de la pistola / tubo aplicador.	Anillo "O" gastado o roto.	Revíselo y cámbielo.
	Acople de manguera flojo.	Ajústelo.
Agua goteando de la bomba.	Acoples flojos.	Ajústelo.
	Empaquetaduras del pistón gastadas.	Póngase en contacto con un representante de servicio al cliente de B&D llamando al <b>1-800-544-6986</b> .
	Anillo "O" gastados o rotos.	Póngase en contacto con un representante de servicio al cliente de B&D llamando al <b>1-800-544-6986</b> .
	Cabezal de la bomba o tubos dañados por congelamiento.	Póngase en contacto con un representante de servicio al cliente de B&D llamando al <b>1-800-544-6986</b> .

<b>PROBLEMA</b>	<b>CAUSA</b>	<b>CORRECCIÓN</b>
La bomba pulsa.	Boquilla obstruida.	Refiérase a las instrucciones para el <i>Uso del Limpiador de Boquillas</i> en la sección <b>Mantenimiento</b> .





Part No. N004317 Rev. 0 Cat. No. BDP3100 FEB. '08