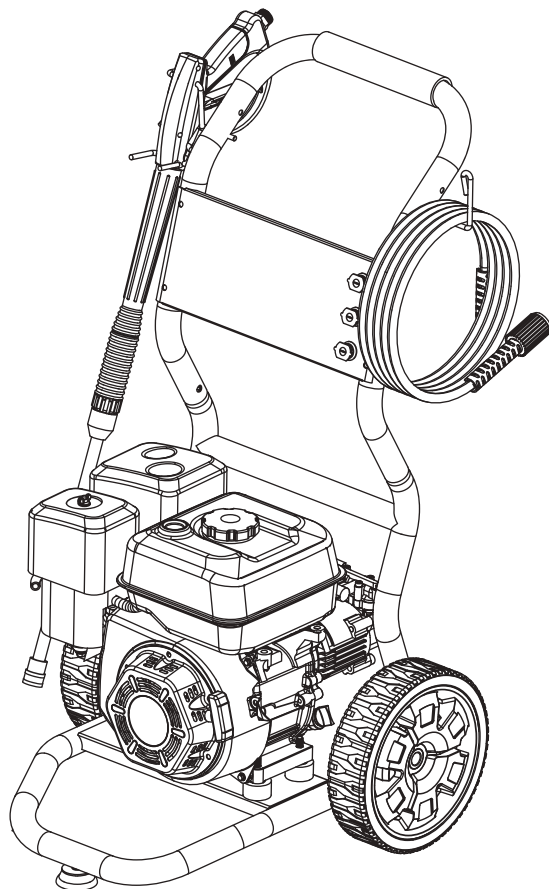




3200 PSI PORTABLE PRESSURE WASHER INSTRUCTION MANUAL



THIS MANUAL CONTAINS IMPORTANT INFORMATION REGARDING SAFETY, OPERATION, MAINTENANCE AND STORAGE OF THIS PRODUCT. BEFORE USE, READ CAREFULLY AND UNDERSTAND ALL CAUTIONS, WARNINGS, INSTRUCTIONS AND PRODUCT LABELS. FAILURE TO DO SO COULD RESULT IN SERIOUS PERSONAL INJURY AND/OR PROPERTY DAMAGE.

TABLE OF CONTENTS

CONGRATULATIONS!	2
INTRODUCTION	2
GENERAL SAFETY	2-4
RECOGNIZE SAFETY SYMBOLS, WORDS AND LABELS	2-4
IMPORTANT INFORMATION ABOUT THIS MANUAL	4
UNPACKING & INSPECTION	5
SAFETY WARNINGS	5-7
GENERAL SAFETY RULES	5-7
SAFETY RULES FOR GASOLINE ENGINES	7-11
SYMPTOMS OF CARBON MONOXIDE POISONING	8
ADDING OR DRAINING FUEL TO OR FROM THE ENGINE	8
STARTING THE ENGINE	8-9
MAKING ADJUSTMENTS OR REPAIRS TO THE ENGINE	10
TESTING SPARK PLUG FOR SPARK	10
TRANSPORTING OR REPAIRING EQUIPMENT	10
STORING FUEL OR EQUIPMENT WITH FUEL IN FUEL TANK	11
SAFETY RULES FOR PRESSURE WASHERS	11-13
FUNCTIONAL DESCRIPTION	14
PRESSURE WASHER TERMINOLOGY	15
ASSEMBLY / ATTACHMENTS	15-18
PRESSURE WASHER	15-16
PRESSURE HOSE TO PRESSURE PUMP	16
PRESSURE HOSE TO SPRAY GUN	16
SPRAY WAND TO SPRAY GUN	16
SELECTING THE RIGHT NOZZLE FOR THE JOB	17
NOZZLES TO SPRAY WAND	17-18
PRESSURE PUMP TO WATER SUPPLY	18
PREPARING THE PRESSURE WASHER	18-20
PRESSURE PUMP	18
ADDING ENGINE OIL	18
LOW OIL SENSOR	19
ADDING FUEL	19-20
STARTING	20-21
OPERATING	21-25
USING THE SPRAY GUN	22
WASHING / CLEANING	22-23
PRESSURE ADJUSTMENT	23
USING CHEMICALS AND CLEANING SOLVENTS	23-24
SHUTTING DOWN	24-25
MAINTENANCE	25-26

STORAGE	27-29
ENGINE	27
PRESSURE PUMP	28
PRESSURE WASHER	28-29
PREPARING FOR USE AFTER STORAGE	29
TROUBLESHOOTING GUIDE	30-34
SPECIFICATIONS	34
1 YEAR LIMITED WARRANTY	35-41

CONGRATULATIONS!

Thank you for choosing this pressure washer. Our aim is to provide you with quality professional products, and we want you to be totally satisfied with your product and our Customer Service. If any help or advice is needed, please contact us at 1-855-888-3598. When properly cared for, this product will give you many years of satisfaction.

INTRODUCTION

This instruction manual is intended for your benefit. Please read and follow the safety, installation, maintenance and troubleshooting steps described within to ensure your safety and satisfaction. The contents of this instruction manual are based upon the latest product information available at the time of publication. The manufacturer reserves the right to make product changes at any time without notice.

GENERAL SAFETY

WARNING

READ AND FOLLOW ALL INSTRUCTIONS.



Failure to follow all instructions in this manual may result in severe personal injury or death. Keep this manual and refer to it for Safety Instructions, Operating Procedures, and Warranty.

SAVE THESE INSTRUCTIONS FOR FUTURE REFERENCE.

RECOGNIZE SAFETY SYMBOLS, WORDS AND LABELS

The safety instructions provided in this manual are not intended to cover all possible conditions and practices that may occur when operating, maintaining and cleaning power tools.

Always use common sense and pay particular attention to all the **DANGER**, **WARNING**, **CAUTION** and **NOTE** statements in this manual.



This is the safety alert symbol. It is used to alert you to potential personal injury hazards. Obey all safety messages that follow this symbol to avoid possible injury or death.

⚠ DANGER

DANGER indicates an imminently hazardous situation which, if not avoided, will result in death or serious injury.

⚠ WARNING

WARNING indicates a potentially hazardous situation which, if not avoided, could result in death or serious injury.

⚠ CAUTION

CAUTION indicates a potentially hazardous situation which, if not avoided, may result in minor or moderate injury.

CAUTION

CAUTION used without the safety alert symbol indicates a potentially hazardous situation which, if not avoided, may result in property damage.

NOTE

NOTE provides additional information that is useful for proper use and maintenance of this tool. If a **NOTE** is indicated, make sure it is fully understood.

In addition to **SAFETY ALERTS** listed above, there could also be numerous symbols alerting the operator that specific safety measures are required to safely operate this tool. Learn these **SAFETY SYMBOLS** as well as the **SAFETY ALERTS** to prevent injury to the operator and to bystanders.



READ OPERATING INSTRUCTIONS: Read and understand tool labels, safety warnings and precautions in this manual before operating the tool. Failure to follow **WARNINGS** could result in serious injury or even death to the operator or bystanders.



FIRE HAZARD: Heat from engine exhaust can ignite combustible materials, building structures or gas tanks resulting in a fire. Place the tool on a flat surface a safe distance from buildings or other combustible material. Ensure exhaust is directed away from tool.



ELECTRICAL SHOCK: This tool produces hazardous electrical voltage. Read and become familiar with this manual's **WARNINGS** and **CAUTIONS** so that it is installed and used properly.



WEAR APPROVED EYE PROTECTION: This tool has rotating and moving parts that could become airborne if damaged. Always wear approved eye protection when operating equipment with moving parts. Safety glasses must conform to the requirements of American National Standards Institute (ANSI) Z87.1 and provide protection against flying particles from both front and side.



POISONOUS FUMES: This tool uses a gasoline powered engine that produces poisonous fumes from its exhaust. Always make sure there is adequate ventilation when operating this equipment.



EXPLOSION HAZARD: Fuel and its vapors are extremely flammable and explosive. Fire or explosion from these vapors can cause severe burns or even death.



ROTATING PARTS: Starter and other rotating parts on this tool can entangle loose clothing, long hair and accessories resulting in moderate to severe injury.



HOT SURFACES: Engine muffler and other engine parts can become very hot. Coming in contact with hot engine components can cause serious burns. Hot exhaust gases from the engine can cause clothing to ignite if in contact for any length of time.



KICKBACK: Starter cord can kickback (recoil) very rapidly. Kickback will recoil starter cord quicker than you can let go. This action can result in broken bones, bruises, sprains or fractures.



UNIT IS HEAVY: Take care when lifting or moving unit.



INJECTION HAZARD: Pressure washers can produce fluid streams severe enough to penetrate animal and human flesh.



SLIPPING and FALLING: Pressure washers produce puddles of slippery liquid that can result in falls. Kickback from spray wand can result in falls when using unstable platforms.

IMPORTANT INFORMATION ABOUT THIS MANUAL

⚠ WARNING

Improper and unsafe use of this pressure washer can result in death, fire and/or bodily injury. This instruction manual contains important information about product safety. Keep the instruction manual available for others to read before they use the pressure washer.

Improper maintenance and operation are responsible for the majority of accidents involving gas pressure washers. The largest portion of these could be prevented by recognizing the basic safety rules and precautions. Most accidents can be avoided if the operator recognizes a potentially hazardous situation before it happens and by observing appropriate safety rules and procedures as outlined in this manual.

Basic safety precautions are outlined in the **SAFETY** portion of this manual and throughout the text in this manual where a potential hazard might occur.

Hazards that **MUST** be avoided to prevent serious injury follow headers marked **DANGER** or **WARNING**. These same precautions are placed as labels on the tool itself.

NEVER use this pressure washer for applications that are **NOT** specified in this manual.

UNPACKING & INSPECTION

After opening the carton, unpack your new pressure washer and related parts & accessories. Please inspect it carefully for any damage that may have occurred during transit. If any parts are missing, please contact our service at 1-855-888-3598.

WARNING

Do not operate this pressure washer if damaged during shipment, handling or misuse. Damage may result in bursting, which can cause serious injury or property damage. All damaged parts must be repaired or replaced as needed prior to operating this pressure washer.

Check to see that all nuts, bolts and fittings are secure before putting this pressure washer into service. If you have any questions, or require assistance with damaged or missing parts, please contact our service at 1-855-888-3598.

Please have the serial number, model number, date of purchase, and parts list (with missing parts identified) available for reference when calling.

MODEL NUMBER:

SERIAL NUMBER:

DATE OF PURCHASE:

SAFETY WARNINGS

READ ALL SAFETY WARNINGS BEFORE USING PRESSURE WASHER.

GENERAL SAFETY RULES

WARNING

People with electronic devices, such as pacemakers, should consult their physician(s) before using this product. Operation of electrical equipment or the electromagnetic wave created by the engine spark plug in close proximity to a heart pacemaker could cause interference or failure of the pacemaker.

WARNING: This product contains chemicals known to the State of California to cause cancer and birth defects or other reproductive harm.

WARNING: The Engine Exhaust from this product contains chemicals known to the State of California to cause cancer, birth defects or other reproductive harm.

⚠ WARNING

Keep work area clean and well lit. Messy areas and cluttered workbenches invite personal injury and/or property damage. Clear all work areas of unnecessary tools, debris, furniture, etc.

Make sure the work area is well ventilated. Never operate in an enclosed area.

Do not place objects on top or against the tool.

Handle correctly. Always operate according to the instructions provided. Never allow the tool to be operated by children, individuals unfamiliar with its operation or unauthorized personnel.

Keep children and visitors away. All children should be kept away from the work area. **DO NOT** let children handle the tool. Maintain a safe distance for any person near the work area.

Childproof the workshop. The use of master switches and padlocks is highly recommended. Remove starter keys where applicable.

Stay alert, watch what you are doing, and use common sense. Do not stand on tool. Do not use tool while tired or under the influence of drugs, alcohol or medication. A moment of inattention while operating the tool may result in serious personal injury.

Operating any tools or equipment under the influence of drugs, alcohol, or medication can cause personal injury to yourself and others.

Use the right tool. Use tools properly and for their intended task. Do not force a small tool to do the job of a heavy-duty tool. Using the right tool to do the right job will make doing the job safer.

Always make sure the tool is in the OFF position when making adjustments, changing parts, or performing any maintenance.

Service must be performed only by qualified repair personnel. Service or maintenance by unqualified personnel may result in a risk of injury.

Do not use the tool if the power switch does not turn it “ON” or “OFF”. A tool that cannot be controlled with the switch is dangerous and must be repaired.

Store all maintenance tools away from the immediate area before turning ON the tool.

Do not overreach. Proper footing and balance is a must at all times while using tools. Unstable support may lead to personal injury. Do not stand on the tool. Serious injury could result if the tool tips over or you accidentally contact tool.

When using accessories, consult the owner’s manual provided by the manufacturer. The use of improper accessories may cause risk of injury to yourself and others.

⚠ WARNING

Keep protective guards in place and in proper working condition.

Maintain tools and equipment with care. They will function better and more safely when kept clean and in good working condition. Keeping the tool clean, dry, and free of grime will add to its life and performance.

Do not use the tool for applications other than specified.

SAFETY RULES FOR GASOLINE ENGINES

⚠ WARNING

Carbon monoxide is a product of incomplete combustion, such as exhaust from the engine. Carbon monoxide is colorless, odorless and tasteless and can kill in a matter of minutes.



Gas particulate filters and respirators will not protect someone from carbon monoxide poisoning. If symptoms of carbon monoxide poisoning appear, take the affected person outdoors immediately and away from all structures and equipment that could produce the gas. Call for emergency medical treatment and make them aware of the situation.

Operate pressure washer only outdoors. Do not allow exhaust gas fumes from entering confined areas through windows, open doors, ventilation ducts and other openings.

Do not start or run engine indoors or an enclosed area, such as a garage (even if windows and doors are open). This also applies to the engine compartment of a recreational vehicle (RV).

The engine exhaust from this product contains chemicals known to the State of California to cause cancer, birth defects or other reproductive harm.

NOTE

Install a battery powered Carbon Monoxide (CO) detector near all bedrooms to alert occupants of dangerous levels of carbon monoxide. Carbon monoxide is a colorless, odorless, very poisonous gas.

The Emission Control System for engine is warranted for standards set forth by the Environmental Protection Agency.

SYMPTOMS OF CARBON MONOXIDE POISONING

Carbon monoxide (CO) is a colorless, odorless, tasteless, extremely toxic gas that can **KILL** in a matter of minutes. Breathing air containing carbon monoxide produces symptoms of headache, dizziness, loss of muscular control, a sleepy feeling and finally coma. Moderate or severe brain damage can result from inhaling air containing carbon monoxide. Carbon monoxide is a product of incomplete combustion of fuels and occurs in exhaust fumes of fuel-burning heaters and all internal combustion engines. Carbon Monoxide collects in spaces where there is no constant air flow or ventilation. **If you start to feel sick, dizzy or weak due to exposure to CO while using gasoline engine, GET TO FRESH AIR IMMEDIATELY.**

ADDING OR DRAINING FUEL TO OR FROM THE ENGINE

WARNING



Fuel and fuel vapors are extremely flammable and explosive. Fire and explosion can result in severe burns and even death.

- Turn engine to the **OFF** position and let cool at least two minutes before removing fuel cap. Loosen cap slowly to relieve pressure in fuel tank.
- **DO NOT** fill or drain fuel tank inside enclosed structures. Accidental sparks can result in fires or explosions leading to severe burns and even death.
- **DO NOT** overfill fuel tank. Leave ample space for expansion of fuel.
- **DO NOT** start engine in area of fuel spillage. Fire and explosion can occur.
- Keep fuel away from sparks, open flames, pilot lights, heat and other ignition sources. **DO NOT** smoke while operating the engine.
- **DO NOT** tip engine or equipment at angle that could result in fuel spilling from fuel tank.

STARTING THE ENGINE

WARNING

Starter cord kickback (rapid retraction) can pull your hand and arm toward the engine faster than it can be let go of. Failure to be aware of this function can result in broken bones, fractures, bruises and sprains can result.



- When starting the engine, pull cord slowly until resistance is felt, then pull rapidly to avoid kickback.

⚠ WARNING

Unintentional sparking can result in fire or electric shock. Failure to observe this warning can result in property damage, severe burns and/or death.



- Ensure spark plug is in place before attempting to start engine.
- Ensure muffler is secured to engine before starting.
- Ensure fuel cap is on fuel tank and tightened securely.
- Ensure air cleaner is clean and properly attached to engine.



A dirty air cleaner element changes the air to fuel ratio and promotes incomplete combustion of fuel increasing the output of carbon monoxide. Always make sure air cleaner element is clean before every operation of the engine.

- **DO NOT** crank engine with spark plug wire removed. The resulting spark could ignite spilled fuel.

⚠ WARNING

Do not contact muffler area with engine running. Muffler gets extremely hot and can cause severe burns. Exhaust gases can ignite combustible items such as clothing or structures in close proximity. Gases leaking from worn muffler can heat up and damage fuel tank resulting in fire or explosion.



- **DO NOT** touch hot parts of engine or muffler.
- **AVOID** hot exhaust gases.
- Keep a minimum of 5 ft. (1.5M) clearance on all sides of the engine including top.

⚠ WARNING

Starter and other rotating parts of engine can entangle hair, hands, clothing and accessories.



- **NEVER** operate with protective housing or covers removed.
- **DO NOT** use while wearing loose clothing or jewelry that may get caught up in starter or other rotating parts. Tie up long hair or wear hair net or cap.

MAKING ADJUSTMENTS OR REPAIRS TO THE ENGINE

WARNING

Excessively high operating speeds increase risk of injury and damage to engine. Excessively low speeds produce heavy load on engine.

- **DO NOT** attempt to alter pre-set governed speed. Engine governor is factory set to supply optimum output horse power (HP) when running at governed speed.
- **DO NOT** modify engine in any way.

TESTING SPARK PLUG FOR SPARK

WARNING

- **DO NOT** check spark plug for spark by removing from head cylinder.
- Disconnect spark plug wire from spark plug and cover tip with non-conducting material such as electrical tape to prevent it from coming in contact with spark plug, fuel tank or other parts of the engine where damage can result from sparking.
- Replace a defective spark plug only with authorized parts.
- Use approved spark plug tester.

TRANSPORTING OR REPAIRING EQUIPMENT

WARNING

RISK OF PROPERTY DAMAGE WHEN TRANSPORTING PRESSURE WASHER

Turn off the pressure washer before transport. Use caution when moving the pressure washer. Oil can leak or spill and could result in fire or breathing hazard, serious injury or death. Oil leaks will damage carpet, paint, or other surfaces in vehicles or trailers. Be sure to use the handle to lift or carry the pressure washer.

CAUTION

- The wheel kit is not designed for over-the-road use. Pressure Washer must be transported in a vehicle or on a trailer.
- **Unit is heavy.** Take care when lifting or moving unit.
- Transport or repair with fuel tank **EMPTY** to prevent an unintentional spark igniting fuel vapors resulting in a fire or an explosion.
- Transport or repair with spark plug wire **DISCONNECTED**.



STORING FUEL OR EQUIPMENT WITH FUEL IN FUEL TANK

WARNING

Store away from furnaces, stoves, water heaters, clothes dryers, and all other appliances with pilot lights or other ignition sources. These appliances can heat fuel tanks and ignition sources can ignite fuel vapors.

SAFETY RULES FOR PRESSURE WASHERS

DANGER

RISK OF FIRE OR EXPLOSION



Always store fuel away from the pressure washer and in an approved container.

Fuel and fuel vapors are extremely flammable and explosive. Fire and explosion can result in severe burns and even death.

Make sure all ventilation openings are clear and free from restrictions. Restricted ventilation openings can cause overheating and/or fire.

WARNING



Do not operate the pressure washer in explosive areas, such as in the presence of flammable liquids, gases or dust. Pressure washers can create sparks which may ignite the dust or fumes.

Wear proper apparel. Remove your jewelry before using pressure washer. Do not wear loose clothing, necklaces, rings, bracelets, or other jewelry, which may get caught in moving parts. Nonskid footwear and electrically non-conductive gloves are highly suggested while working. Wear protective hair covering to contain long hair.

Be responsible for your hearing. Wear hearing protection during extended periods of operation.

Do not use the pressure washer if excessive noise or vibration is present. Have it repaired immediately.

Store the pressure washer indoors, in a dry, secured area away from other equipment. Never store the pressure washer near an open flame or flammable materials.



Keep pressure washer a minimum of 5 feet (1.5 m) of clearance on all sides including overhead.

SPECIAL REQUIREMENTS

There may be Federal or State Occupational Safety and Health Administration (OSHA) regulations, local codes or ordinances that apply to intended usage of internal combustion engines. Consult a local agency responsible of usage of this type of equipment.

WARNING

RISK OF INJURY



Pressure washer produces fluid pressures and velocities high enough to penetrate human and animal flesh which could result in serious injury or amputation.

Ensure all connections are tightened securely. Inspect all hoses to ensure they are not damaged or kinked. Loose connections or damaged hoses can result in injection injuries.

Ensure all fittings are properly connected. Pull on connection to ensure fittings are secure. Improperly connected fittings can unexpectedly separate resulting in injury.

NEVER place hands in front of nozzle.

NEVER attempt to attach or remove spray wand or hose fittings while pressure washer system is pressurized.

DO NOT treat fluid injection injuries as a simple cut. **See immediate medical attention.**

DO NOT allow pressure hose to come in contact with engine muffler.

HIGH VELOCITY fluid spray can cause objects to break, propelling particles at high speeds.

ALWAYS wear approved safety glasses when using or doing maintenance on pressure washers.

NEVER substitute safety glasses for **GOGGLES**. Injury to eyes could occur.



ALWAYS wear protective clothing to prevent accidental spraying.

DO NOT permanently secure spray wand trigger in open position.

DO NOT use spray wand that does not have a trigger lock or trigger guard in place and in proper working order.

WARNING

DO NOT use acids, toxic or corrosive chemicals, poisons, insecticides, flammable solvents or bleach with pressure washer. Use of these chemicals can result in damage to equipment or serious injury or death.



DO NOT direct spray toward electrical outlets, switches or products connected to electrical service. Failure to observe this warning can result in electrocution resulting in severe electrical shock or burns and possibly resulting in death.

NEVER run the pressure pump without the water supply connected and turned on. Non-repairable damage to the pump will occur.

RISK OF FALLING

Pressure washer can create puddles of slippery solutions that can become hazardous.



Ensure you stand on a stable surface while operating pressure washer. Initial kickback from engaging spray wand can you to lose your balance and fall resulting in minor to severe injuries.

Use extreme caution if you must operate pressure washer from a ladder or scaffolding. Kickback from spray wand can result to loss of balance and result in a fall that could cause serious injuries.

When cleaning pressure washer, ensure there are adequate slopes for drainage so solutions don't create puddles around unit that could result in slipping and falling.

Firmly hold spray wand with both hands when using high pressure spray avoiding injury should spray wand kick back.

CAUTION

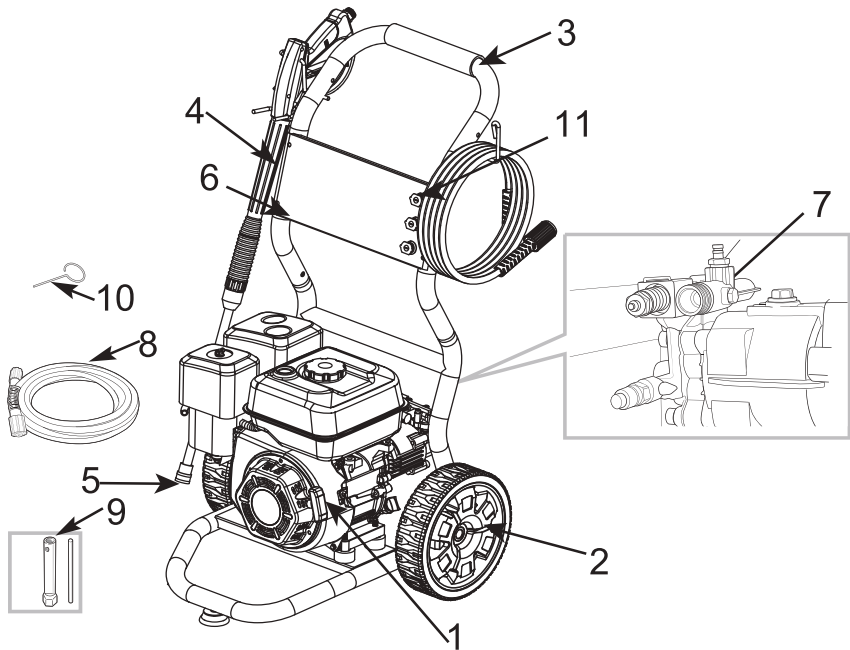
The pressure washer must be run with the rubber feet resting on a flat and stable horizontal surface.

The pressure washer must be used in a clean and well-ventilated area. Keep pressure washer a minimum of 5 feet (1.5 m) of clearance on all sides including overhead.

DO NOT place pressure washer in an area:

- Where there is evidence of oil or gas leaks.
- Where flammable gas vapors or materials may be present.
- Where extremely dirty air or water could be drawn into the pressure washer.

FUNCTIONAL DESCRIPTION



PRESSURE WASHER FEATURES:

- | | |
|--------------------|----------------------------|
| 1. Gasoline Engine | 7. Pressure Pump |
| 2. Wheel Kit | 8. High Pressure Hose |
| 3. Frame | 9. Tool Kit |
| 4. Spray Gun | 10. Nozzle Cleaning Needle |
| 5. Spray Wand | 11. Nozzle |
| 6. Nozzle Panel | |

PRESSURE WASHER TERMINOLOGY

Following are common terms associated with the use of pressure washers:

PSI: Pounds per square inch – common unit measure used for water pressure, air pressure, hydraulic pressure and pounds of force.

GPM: Gallons per minute (liters per minute [metric]) – common unit measure used for flow rate of water.

Bypass Mode: In bypass mode, high pressure pump recirculates water because spray gun trigger is not squeezed.

Thermal Relief Valve: When in Bypass Mode, this valve releases a jet of water to prevent water temperatures from reaching harmful levels that damage the pump. Once the water has cooled, the thermal relief valve will reset itself. Do not allow pump to run without spraying (in Bypass Mode) for more than 5 minutes.

ASSEMBLY / ATTACHMENTS

This pressure washer requires some assembly (tools provided) and will be ready for use after servicing with manufacturer approved oil and fuel. If you have any problems with the assembly of your pressure washer, please call the pressure washer helpline at 1-855-888-3598. If calling for assistance, please have the model, revision, and serial number from the data tag available.

PRESSURE WASHER



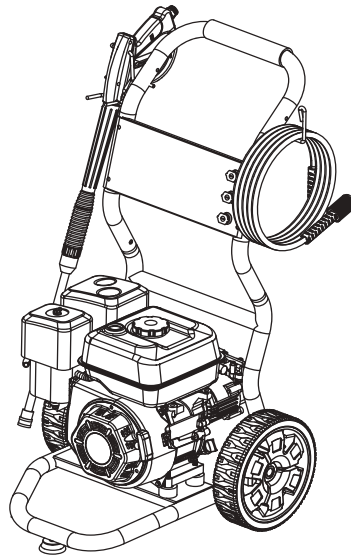
WARNING

Unit is heavy. Do not attempt to lift and remove the pressure washer unit from the carton.



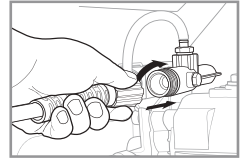
1. Using a box cutter, open carton completely by cutting the four corners allowing the sides to lay flat. Leave pressure washer on the carton.
2. Remove all items except the pressure washer from the box and inspect for completeness (See Functional Description).
3. Carefully tip the pressure washer forward and place on its front side and proceed to assemble the unit using the provided tools.
4. Insert the axles through the holes in the bottom frame from inside as shown. Assemble the wheels to the axles from outside (using the cotter pins). To secure the Wheels to the axles, insert the Cotter Pins inside the small holes in the axles and bend back the end of the Cotter Pins using a pair of pliers (not provided).
5. Assemble the Legs to the bottom frame tubing (using the washers, nuts and bolts) as shown. Tighten all mounting hardware.
6. After completion of wheel/leg assembly, carefully place the pressure washer on its wheels and legs.

7. Assemble the handle to the frame tubing as shown.
8. Assemble the top gun holder to the frame as shown.



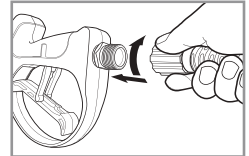
PRESSURE HOSE TO PRESSURE PUMP

Connect the hose to the pressure pump outlet and **FIRMLY** tighten the nut by hand.

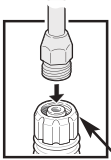


PRESSURE HOSE TO SPRAY GUN

Connect the hose to the spray gun and **FIRMLY** tighten the nut by hand.



SPRAY WAND TO SPRAY GUN



NUT

1. Remove the protective plastic cap at the inlet of the wand.
2. Connect the spray wand to the spray gun and **FIRMLY** tighten the nut by hand.

SELECTING THE RIGHT NOZZLE FOR THE JOB

NOTE

To prevent damage to your surface and to select an appropriate nozzle size for your application, always start with lowest pressure nozzle size (White) and continue changing to the higher nozzle size until the best work result is achieved.

The Pressure Washer comes furnished with three spray nozzles. Each nozzle is color coded and delivers a specific spray pattern and pressure for a particular cleaning job. The size of the nozzle determines the size of the fan spray and the pressure out of the nozzle.

0° Nozzle – Red: This nozzle delivers a pinpoint stream of pressurized water and is extremely powerful. It covers only a small area of cleaning. This nozzle should only be directed at surfaces that can withstand high pressure such as metal or concrete. Do not use this nozzle to clean wood.



25° Nozzle – Green: This nozzle delivers a 25 degree spray pattern for intense cleaning of larger areas. This nozzle should only be used on areas that can withstand pressure from this nozzle.



Chemical Nozzle – Black: This nozzle is used to apply special chemicals and cleaning solutions. This nozzle produces the weakest pressure stream of the five nozzles.



The Pressure Washer nozzles are stored in receptacles on a panel mounted to the handle of the washer. Colors on the panel identify nozzle location and spray panel.

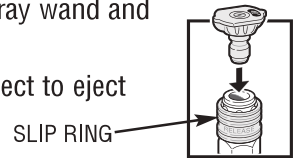
NOZZLES TO SPRAY WAND

WARNING

Never place hands in front of nozzle. Never grasp hose or fittings during Pressure Washer operation. Never attempt to attach or remove spray wand or hose fittings while Pressure Washer system is pressurized.

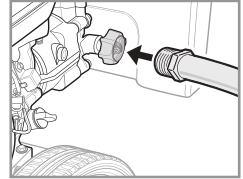
Turn off Pressure Washer and lock the Gun Trigger before attempting to change pressure nozzles.

1. To attach, insert nozzle into female quick-disconnect spray wand and press to snap in the nozzle.
2. To detach, slide down slip ring on female quick-disconnect to eject the nozzle.



PRESSURE PUMP TO WATER SUPPLY

1. Connect the garden hose to the water supply and turn water supply on to fill the hose with water and also remove any debris in the hose. Turn OFF water supply.
2. Make sure that the filter inside Pressure Washer water inlet is clean and undamaged. Thread the garden hose fitting into water hose inlet. **FIRMLY** hand tighten the inlet nut.
3. Turn on water supply.



NOTE

The Pressure Washer requires a minimum of 20 PSI and a flow rate of 5 GPM.

PREPARING THE PRESSURE WASHER

⚠ WARNING

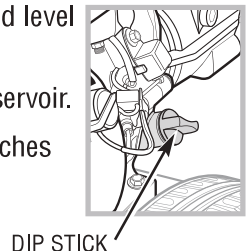
Improper treatment of Pressure Washer can damage internal components and shorten the life of unit. Failure to follow this warning will void warranty.

PRESSURE PUMP

The pressure pump requires no preparation. If you notice any sign of oil leakage in and around the pump, **DO NOT** operate the pressure washer. Please call A-ipower service at 1-855-888-3598.

ADDING ENGINE OIL

1. Move the Pressure Washer **OUTSIDE** and place on a flat and level surface.
2. Remove the engine oil dip stick and place funnel in the oil reservoir.
3. Pour engine oil (suggested SAE 10W/30) until oil level reaches the threads inside the oil reservoir.
4. Hand tighten oil dip stick and wipe off any spilled oil.



LOW OIL SENSOR

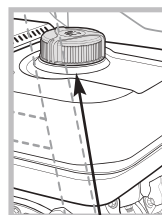
To prevent the engine damage caused by an insufficient amount of oil in the crankcase, engine is equipped with a low oil sensor. If the oil is below the safe amount, the sensor will activate and will prevent engine start-up or will stop the running engine.

If Pressure Washer shuts off and the oil level is within specifications, check to see if Pressure Washer is sitting at an angle that forces oil to shift.

Place on an even surface to correct this. If engine fails to start, the oil level may not be sufficient to deactivate low oil level sensor. Add oil as described above.

ADDING FUEL

1. Move the Pressure Washer **OUTSIDE** and place on a flat and level surface.
2. Remove the gas tank cap. Carefully add 87 Octane (or higher) grade **unleaded** gasoline to the tank. **DO NOT OVERFILL**. Leave room for the gasoline to expand.
3. Replace and hand tighten gas cap and wipe off any spilled fuel.



CAP

⚠ WARNING

Fuel and fuel vapor are extremely flammable and explosive. Fire or explosion from misuse of fuel can cause severe burns and even death.

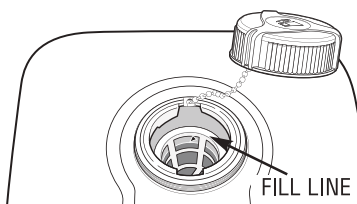
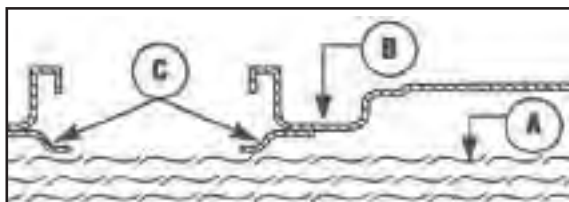


Failure to use fuel as recommended in this manual will void the warranty.

WHEN ADDING FUEL TO PRESSURE WASHER, OBSERVE THE FOLLOWING:

- **DO NOT** use unapproved gasoline such as E85 (85% ethanol/15% gasoline).
- **DO NOT** mix oil with gasoline.
- **DO NOT** modify engine to run on alternate fuels.
- Turn Pressure Washer **OFF** and let it cool for at least two minutes before removing fuel cap. Loosen fuel cap slowly to release pressure.
- Keep fuel away from sparks, open flames, pilot lights, heat and other ignition sources.
- **DO NOT** light a cigarette or smoke near open fuel tank or container.
- Clean area around fuel fill cap and slowly remove cap to allow any pressure to escape.
- Install fuel cap and allow any spilled fuel to evaporate before starting engine.

- **DO NOT** overfill fuel tank. Slowly add unleaded gasoline **(A)** to fuel tank **(B)**. Use extreme caution not to fill fuel above baffle **(C)**. This allow appropriate space for fuel expansion.



STARTING

PRIOR TO STARTING THE PRESSURE WASHER, MAKE SURE THAT YOU HAVE:

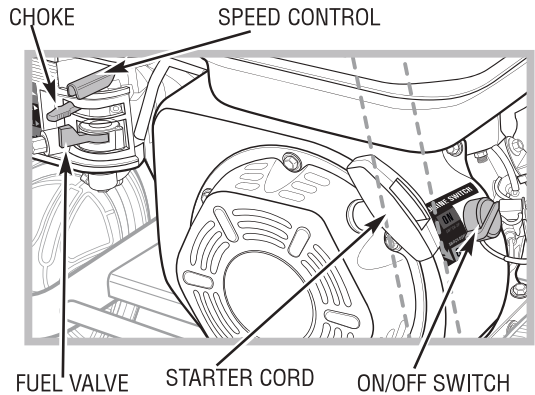
1. Selected a proper size nozzle for the job at hand (see "SELECTING THE RIGHT NOZZLE")
2. Attached the Pressure Washer to the water source and turned on the source (see "ATTACHING THE PUMP TO WATER SUPPLY").

⚠ WARNING

DO NOT run the pump without the water supply connected and turned on. Damage to the Pressure Washer resulting from failure to follow this instruction **WILL** void the warranty.

3. For your protection, wear protective safety glasses (provided).
4. Move the Pressure Washer **OUTSIDE** in a fully **VENTILATED** area.
5. Place the Pressure Washer on a **FLAT** and level surface and close to the working surface. Keep a minimum of **5 ft. (1.5 meters) CLEARANCE** on all sides of the engine including top. Face the engine exhaust outlet **AWAY** from dwellings.
6. Make sure the Throttle lever is set to the "**FAST**" position (left).
7. Slide the Fuel Valve lever to "**ON**" position (right) to allow the fuel to flow to the engine.
8. Slide the Choke Lever to "**START**" position (left).
9. Turn the Engine **ON/OFF** switch clockwise to **ON** position.
10. Point nozzle to a safe direction and squeeze the Spray Gun trigger to allow for easier engine start.

11. To start the engine, pull Starter cord slowly until resistance is felt, then pull rapidly to avoid kick back. Repeat until engine starts to run. Release the trigger.
12. Slide Choke Lever to “RUN” position (right).



OPERATING

⚠ WARNING

Do not leave Pressure Washer in bypass mode for more than two minutes at a time. Water temperature inside the pressure pump will rise to a dangerous level resulting in damage to the internal components of the pump. Failure to follow this warning will void warranty.

DO NOT run the pressure pump without the water supply connected and turned on. Damage to the Pressure Washer resulting from failure to follow this instruction **WILL** void the warranty.

ALWAYS wear approved safety glasses when operating Pressure Washers. Spray can splash back or propel objects, including incorrectly attached accessories.



⚠ WARNING

The high pressure stream of water that this equipment produces can cut through skin and its underlying tissues, leading to possible amputation.

Spray gun traps high water pressure, even when the motor is stopped and water is disconnected, which can cause injury.

Kickback from spray gun can cause you to fall.



USING THE SPRAY GUN

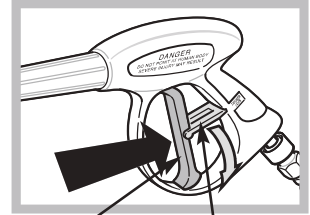
⚠ WARNING

To prevent accidental discharge of high pressure water, the trigger lock on the trigger should be engaged whenever the pressure washer is not in use.

To disengage the Trigger Lock, push the lock down and into its original position.

TO OPERATE THE TRIGGER:

1. Squeeze the trigger to start water flow through the nozzle.
2. Release the trigger to stop water flow.



TRIGGER

TRIGGER LOCK

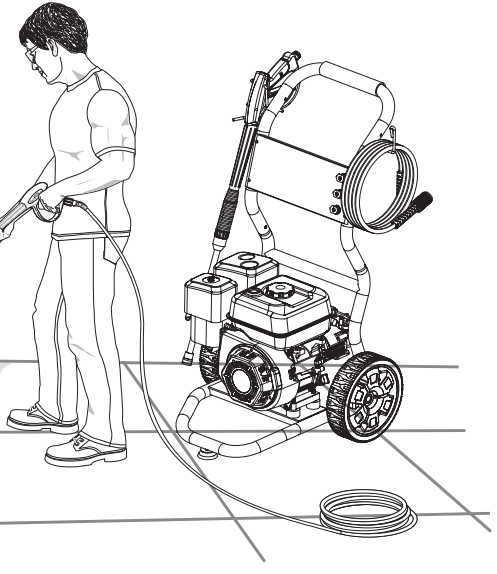
WASHING / CLEANING

⚠ WARNING

SOME ENGINE PARTS CAN BECOME EXTREMELY HOT.

Do not allow the pressure hose come in contact with engine exhaust system which can cause damage to the hose. Damaged hoses can burst and can cause injection injuries.

1. Firmly grip Spray Gun with both hands.
2. Point the nozzle to a safe direction and squeeze the Spray Gun trigger to allow the pump to purge air and impurities in the system and then redirect the the nozzle to the working surface.
3. When finished, release the Gun Trigger to stop water flow.



USAGE TIPS:

- For most effective cleaning, keep spray nozzle from 8 to 24 inches away from cleaning surface.
- If you get spray nozzle too close, you may damage surface being cleaned.
- **DO NOT** get closer than 6 inches when cleaning tires.

PRESSURE ADJUSTMENT

Increase distance: To vary the pressure on the surface being cleaned, vary the distance between spray wand and the surface being cleaned.

Change pressure wand nozzle: Completely shut down Pressure Washer and stop gasoline engine. Change spray nozzle for desired pressure (see "SELECTING THE RIGHT NOZZLE"). Restart engine.

USING CHEMICALS AND CLEANING SOLVENTS

NOTE

Use only soaps and chemicals designed for use with Pressure Washers. **DO NOT USE CHLORINE BLEACH.**

Chemicals, soaps and cleaning solvents will not siphon when a high pressure nozzle is used. Use the Chemical Nozzle (Black).

TO RINSE:

1. Replace the nozzle with an appropriate high pressure nozzle (see "SELECTING THE RIGHT NOZZLE"). Squeeze the trigger and wait for the detergent to clear.
2. Keep the spray gun a safe distance from the area you plan to spray.
3. Apply a high pressure spray to a small area, and then check the surface for damage. If no damage is found, it is okay to continue cleaning.
4. Start at the top of the area to be rinsed, working down with same overlapping strokes as you used for washing and applying detergent.



WARNING

Leaving chemicals and cleaning solutions inside the pressure pump could damage it. Damages created by leaving soaps, chemicals and cleaning solutions inside the pump can void the warranty.

CLEANING TIPS:

- Never use the Pressure Washer water inlet to siphon detergent or wax.
- If you have the nozzle too far away from the surface being washed, the cleaning will not be as effective.

IMPORTANT: DO NOT get closer than 6 inches when cleaning.

SHUTTING DOWN



WARNING

SOME ENGINE PARTS CAN BECOME EXTREMELY HOT.

If you intend to disconnect the high pressure hose after completing a wash, avoid touching the engine exhaust system while disconnecting the high pressure hose from the pump.

1. To stop the engine, set the engine switch on the side of the engine to OFF position.
2. Slide Fuel Valve lever to the left to stop fuel flow to the engine.
3. Turn off the water supply and disconnect garden hose from the Pressure Washer.
4. Squeeze the Gun trigger to release any remaining water in the system.
5. Store Spray Gun on the side and hoses inside the hose housing inside the handle.

⚠ CAUTION

Never turn off water supply with engine running. This will cause the pressure pump to overheat resulting in internal damage.

Pressure Washer **MUST** be properly stored. Refer to next pages for proper storage instructions.

MAINTENANCE

Regular maintenance will improve performance and extend life of Pressure Washer. Pressure Washer's warranty does not cover items that have been subjected to operator abuse or negligence. Only by maintaining Pressure Washer in accordance with instructions in this manual will the full value of the warranty be honored.

Some adjustments will need to be made periodically to properly maintain the Pressure Washer. All service and adjustments should be made at least one time each season. It is important that the maintenance chart below be followed.

ENGINE MAINTENANCE SCHEDULE

Frequency	Items	Each time	Every month or 20 Hrs	Every 3 months or 50 Hrs	Every 6 months or 100 Hrs	Every year or 300 Hrs
Engine oil	Check oil level	✓				
	Replace				✓ *	
Air cleaner (Filter)	Check	✓				
	Clean			✓	✓ *	
	Replace					✓ *
Deposit cup	Clean				✓	
Spark plug	Clean, adjust				✓ ***	
	Replace					✓ *
Spark Arrester	Clean				✓	
Idling	Check-adjust					✓ **
Valve clearance	Check-adjust					✓ **
Fuel tank	Clean					✓ **
Emission & Evaporation System						✓ **
Fuel supply line	Check	Every two years (Replace if necessary**)				

* Recommended to be performed more often than in the schedule if operated in dusty environments.

** Recommended to be performed by authorized dealers

*** Adjust air gap to 0.6mm - 0.7mm

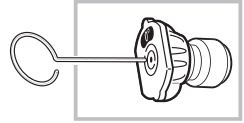
CHECKING PRESSURE PUMP OIL:

The pressure pump is maintenance free. If you notice any sign of oil leakage in and around the pump, DO NOT operate the pressure washer. Please call the pressure washer helpline at 1-855-888-3598.

CLEANING NOZZLE:

Occasionally, the spray wand can become clogged with foreign materials such as dirt. When this happens, excessive pressure can develop. Whenever the pressure nozzle becomes partially clogged, the pump pressure will pulsate. It should be immediately cleaned.

1. Make sure Pressure Washer is shut off and spray gun trigger is locked.
2. Remove high pressure spray nozzle from the spray wand. Using the nozzle cleaning needle (provided), remove any obstructions by inserting and carefully moving the pin back-and-forth through nozzle hole under clean running water.

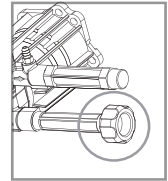


3. After cleaning, remove the needle from nozzle and store for future use.
4. Reassemble pressure nozzle to spray wand.

CLEANING WATER INLET SCREEN FILTER:

The water inlet screen filter should be checked periodically and cleaned if necessary.

1. Disconnect inlet water hose.
2. Remove filter by grasping end and pull straight back. See
3. Clean screen filter by flushing both sides with water.
4. Insert screen filter back inside water inlet port.



⚠ WARNING

Do not operate Pressure Washer without screen filter in place. Impurities entering pressure pump can cause internal damage.

CLEANING PRESSURE WASHER:

Daily or before use inspections should include areas around and underneath Pressure Washer looking for signs of fuel or oil leaks. Preventative maintenance should be taken if leaks are found. Clean accumulated debris from outside and inside Pressure Washer. Ensure all linkages, springs and other engine controls are kept clean. Inspect cooling air slots and openings on Pressure Washer. Openings must be kept clean and unobstructed for peak performance of Pressure Washer.

Engine components should be kept clean reducing risk of overheating and ignition of accumulated debris.

- Use a damp cloth to wipe exterior surfaces clean.
- Use a soft bristle brush to loosen caked on dirt or oil.
- Use a shop-vacuum to pick up any loose dirt and debris.

STORAGE

⚠ WARNING

Fuel and fuel vapor are extremely flammable and explosive. Fire or explosion from misuse of fuel can cause severe burns and even death.



ENGINE

Gasoline fuel can become stale when stored over 30 days. Stale fuel causes acid and gum deposits to form in the fuel system or crucial carburetor parts. To keep fuel fresh, add fuel stabilizer tablets to the fuel tank .

Draining gasoline is unnecessary if the fuel stabilizer is used according to the instructions that come with it. Run Pressure Washer engine for a minimum of two minutes, after stabilizer is added to fuel, to allow it to circulate throughout the engine. The engine and fuel can be stored up to 24 months.

NOTE

DO NOT store gasoline from one season to another unless it's been treated with fuel stabilizer.

Replace fuel container, if metal, and if it begins to rust. Rust and dirt and debris can contaminate fuel supply and components resulting in poor performance and/or internal damage to engine. Fuel should be stored in newer approved plastic storage containers.

TO PROTECT AGAINST RUST FORMATION DURING STORAGE, OIL THE CYLINDER BORE:

- Remove spark plug and pour approximately 1/2 oz (15 ml) of clean engine oil into the cylinder.
- Install spark plug and pull starter cord slowly to distribute oil.
- Make sure engine **ON/OFF** switch is **OFF**. Slowly pull the starter cord 2 to 3 times to distribute and coat the cylinder bore with oil. **DO NOT** start engine at this time.

⚠ WARNING

Unintentional sparking can cause fire or electrical shock. Failure to observe this warning can cause severe property damage, severe burns and even death.



Disconnect spark plug wire from spark plug and cover tip of spark plug wire with insulating tape and place wire where it cannot come in contact with spark plug or Pressure Washer frame.

PRESSURE PUMP

1. Drain all water from pressure hose, coil and store it in cradle of pressure washer handle.
2. Drain all water from spray gun and spray wand by holding spray gun in vertical position with nozzle pointed downward. Squeeze trigger to remove fluids from spray gun and spray wand. Store in spray gun/hose holder.
3. Store chemical hose, high pressure hose and spray wand so they are protected from damage, such as being run over.

It is **RECOMMENDED** that you follow these steps to protect the internal seals of Pressure Washer when storing unit for more than 30 days and/or when freezing temperatures are expected.

1. Obtain a funnel, six ounces of RV antifreeze and approximately 36 inches of garden hose with a male hose connector on one end.

CAUTION

Use only RV antifreeze. Any other type of antifreeze is corrosive and can damage pressure pump.

2. Connect 36 inch length of garden hose to water inlet of pressure pump.
3. Add RV antifreeze using the funnel.
4. Make sure engine ON/OFF switch is OFF. Slowly pull engine starter cord several times until antifreeze comes out of pressure hose connection of pressure pump. **DO NOT** start engine at this time.
5. Remove hose from water inlet of pressure pump.

PRESSURE WASHER

1. Cover Pressure Washer with a suitable cover that does not retain moisture such as a plastic or plastic coated tarp.
2. Store Pressure Washer in a clean, dry area.

WARNING

Certain storage covers can be flammable or can melt in higher temperatures. Do not place storage cover over Pressure Washer unit until it has completely cooled.



PREPARING FOR USE AFTER STORAGE

1. Slowly pull the Starter cord a few times to clean oil from the cylinder or to eject any antifreeze from the pump which were added prior to storage.
2. Remove the spark plug from the cylinder. Wipe oil from the spark plug and return it to the cylinder and retighten.
3. Reconnect the spark plug wire.

TROUBLESHOOTING GUIDE

Problem	Probable Cause	Solution
Engine shuts down when running.	<ol style="list-style-type: none"> 1. Out of fuel. 2. Low Engine Oil 	<ol style="list-style-type: none"> 1. Fill fuel tank. 2. Add oil.
Engine will not start; or starts and runs rough.	<ol style="list-style-type: none"> 1. Engine On/Off set to "OFF" position. 2. Fuel valve is in "OFF" position. 3. Dirty air cleaner. 4. Out of fuel. 5. Stale fuel. 6. Spark plug wire not connected to spark plug. 7. Bad spark plug. 8. Water in fuel. 9. Flooded. 10. Excessively rich fuel/air mixture. 11. Intake valve stuck open or closed. 12. Engine has lost compression. 13. Low engine oil. 14. Wrong Fuel. 15. Engine is too hot 16. Chock is in wrong position 17. Pressure builds up after 2 pulls on starter coil or after initial use. 	<ol style="list-style-type: none"> 1. Set switch to "ON" position. 2. Turn fuel valve to "ON" position. 3. Clean or replace air cleaner. 4. Fill fuel tank. 5. Drain fuel tank and carburetor; fill with fresh fuel. 6. Connect wire to spark plug. 7. Replace spark plug. 8. Drain fuel tank and carburetor; fill with fresh fuel. 9. Wait 5 minutes and re-crank engine. 10. Call Customer Service: 11. Call Customer Service: 12. Call Customer Service: 13. Add oil. 14. Use recommended fuel. 15. Allow engine to cool 16. Change chock position 17. Squeeze gun trigger to relieve pressure.

Problem	Probable Cause	Solution
Engine “hunts” or falters.	1. Carburetor is running too rich or too lean.	1. Call Customer Service:
Engine lacks power.	1. Cylinder pressure is low. 2. Dirty air cleaner.	1. Call Customer Service: 2. Replace air filter.
No pressure or Low pressure.	1. Spray wand not set to high pressure. 2. Inadequate water supply. 3. Hose fitting leaks during high pressure. 4. Nozzle obstructed. 5. Water filter screen obstructed. 6. Defective pump 7. Air in hose. 8. Choke lever in choke position. 9. Throttle control lever is hot in fast position.	1. See “SELECTING THE RIGHT NOZZLE” section. 2. Water supply must be 5 GPM @ 20 psi. 3. Tighten hose fitting. Use thread sealant tape if necessary. 4. Clean Nozzle (See Maintenance) 5. Remove and clean filter. 6. Call Customer Service: 7. Squeeze trigger to remove air. 8. Move choke to “RUN” position. 9. Move throttle control lever from fast position.
Water leaking at pump.	1. Loose connections. 2. Worn or broken O-rings. 3. Pump head or tubes damaged from freezing.	1. Tighten connections. 2. Call Customer Service: 3. Call Customer Service:

Problem	Probable Cause	Solution
Pump will not draw chemicals.	<ol style="list-style-type: none"> 1. Wrong size spray nozzle. 2. Chemical hose/filter clogged. 3. Chemical screen not in chemical. 4. Chemical solution too thick. 5. Chemical build-up in chemical injector. 	<ol style="list-style-type: none"> 1. See "SELECTING THE RIGHT NOZZLE" section. 2. Clean hose/filter. 3. Ensure end of chemical hose is fully submerged into chemicals. 4. Dilute chemical. Chemical solutions should have same consistency as water. 5. Clean or replace. Call Customer Service:
No or low pressure (after period of normal use).	<ol style="list-style-type: none"> 1. Worn seal or packing. 2. Worn or obstructed valves. 3. Worn unloader piston. 	Clean or replace. Call Customer Service:
Water leaking at spray gun/spray wand connection.	<ol style="list-style-type: none"> 1. Worn or broken O-ring. 2. Loose hose connection. 	<ol style="list-style-type: none"> 1. Worn or broken O-ring. 2. Tighten hose connection.
Oil leaking at pump	<ol style="list-style-type: none"> 1. Oil seals worn. 	<ol style="list-style-type: none"> 1. Call Customer Service:
Pump pulsates	<ol style="list-style-type: none"> 1. Nozzle obstructed. 2. Air in the system 	<ol style="list-style-type: none"> 1. Clean Nozzle (See Maintenance) 2. Squeeze trigger to remove air.

GENERAL INFO:

Gas	<ul style="list-style-type: none">• Use fresh high quality unleaded gasoline (minimum 87 octane)• Add stabilizer to fuel tank and run engine for 5 minutes before storage.
Oil	<ul style="list-style-type: none">• Engine oil: Use only SAE10W-30, 600ml weight non-detergent oil.
Water	<ul style="list-style-type: none">• Use only cold water.• Do not operate pressure washer with clogged or missing water filter screen.• Do not operate pressure washer without adequate water supply to pressure pump. Adequate water supply is a minimum of 20 PSI @ 5 GPM.
Pressure Adjustment	<ul style="list-style-type: none">• Pressure setting is preset at factory.• For lowering pressure, refer to PRESSURE ADJUSTMENT section in this manual.
Pump	<ul style="list-style-type: none">• Squeeze spray gun trigger every 2 minutes while engine is running.• Do not allow water to freeze in pump.
By-Pass Mode	<ul style="list-style-type: none">• Never leave unit running for more than 2 minutes without squeezing spray gun trigger. Doing so could damage pump and void warranty.
Thermal Relief Valve	<ul style="list-style-type: none">• Pump is equipped with a thermal relief valve. If water overheats, this valve opens releasing gush of water. Afterwards, the valve closes returning pump to normal operation.

Hose	<ul style="list-style-type: none"> • Do not allow hoses to come in contact with engine muffler during or immediately after use. • DO NOT pull unit by pressure hose.
Engine	<ul style="list-style-type: none"> • Do not adjust or attempt maintenance without consulting supplied engine manual or having adjustments made at an authorized service center. • Add stabilizer to fuel tank and let engine run for 5 minutes before storage. • Always turn on water before starting engine.
Soap/Chemicals	<ul style="list-style-type: none"> • Use only soaps and chemical detergents designed for pressure washer use. • Use Chemical nozzle (Black) with Soap/Chemicals.
Nozzle	<ul style="list-style-type: none"> • Always keep nozzles unclogged. • Use ONLY chemical nozzle when using chemical and cleaning solvents.
Storage or Winterizing	<ul style="list-style-type: none"> • Run clean water through chemical inlet. • Add stabilizer to any remaining fuel in fuel tank. • Do not allow water to freeze in pressure pump, spray gun, spray wand or hoses.

SPECIFICATIONS

Max Pressure	3200 PSI
Max Water Flow	2.4 GPM
Pump Type	Axial
Engine/Type	7.5 HP/223CC OHV Engine
HP/RPM	7.5 / 3600
Displacement	223 CC
Fuel	0.95 GAL
Pressure Hose	25 FT.
Low Oil Sensor	YES
Thermal Relief Valve	YES

WARRANTIES

UNITED STATES EMISSION CONTROL DEFECTS WARRANTY STATEMENT

Under U.S. EPA regulations, A-iPOWER are pleased to explain the Emission Control System Warranty on your model year 2011-2012 and later spark ignited small off-road engine. In all areas of the United States, your engine must be designed, built and equipped to meet U.S. EPA and CARB emission standards for spark ignited small off-road engines at or below 19 kilowatts. A-iPOWER must warrant the emission control system on your engine for the period of time listed below, provided there has been no abuse, neglect or improper maintenance on your spark ignited small off-road engine. Where a warrantable condition exists, A-iPOWER will repair your spark ignited small off-road engine at no cost to you including diagnosis, parts and labor. Your emission control system includes parts such as carburetor, air cleaner, ignition system, muffler and catalytic converter (when present). Also included may be hoses, connectors, and other emission-related assemblies.

A-iPOWER EMISSION CONTROL DEFECTS WARRANTY COVERAGE

Spark ignited small off-road engines are warranted relative to emission control parts defects for a period of one (0) years, subject to the provisions stated below. If any emission related part on your engine is defective, the part will be repaired or replaced by A-iPOWER. The warranty period begins on the date the product is delivered to the initial owner. OWNER'S WARRANTY RESPONSIBILITY As the spark ignited small off-road engine owner, you are responsible for the maintenance required, what are listed in the owner's manual. A-iPOWER recommends that you retain all receipts covering maintenance on your spark ignited small off-road engine, but A-iPOWER cannot deny warranty solely for the lack of receipts or for your failure to ensure the performance of all scheduled maintenance.

As the owner of a spark ignited small off-road engine, you should however be aware that A-iPOWER may deny you warranty coverage if your spark ignited small off-road engine or part has failed due to abuse, neglect, improper maintenance or unapproved modifications. You are responsible for presenting your spark ignited small off-road engine to an authorized service center as soon as a problem exists. The undisputed warranty repairs should be completed in a reasonable period of time, not to exceed 30 days. For the location of an authorized service center and any questions you may have regarding your warranty rights and responsibilities, you should **call our parts and technical support group toll free at 855-888-3598, Mon-Fri, 8:00 AM to 5:00 PM Pacific Standard Time.**

The emission warranty is a defects warranty and defects are judged on normal engine performance. The warranty is not related to an in-use emission test.

EMISSION CONTROL SYSTEM WARRANTED PARTS

Coverage under this warranty extends only to the parts listed below (the emission control system parts) to the extent that these parts were present on the engine

purchased.
Fuel Metering System
Carburetor and/or internal parts
Intake manifold
Evaporative System
Fuel tank, Fuel cap, and tether.
Air Induction System
Air cleaner*
Intake manifold
Exhaust System
Exhaust manifold
Catalyst
Ignition System
Flywheel magneto
Ignition coil assembly
Spark plug*
Crankcase Emission Control System
Crankcase breather tube
Oil filler cap

Miscellaneous parts
Hoses, seals, gaskets, connectors and assemblies
associated with listed parts

Note: * Covered up to the first required replacement only. See the maintenance schedule in the Owner's Manual.

COVERAGE TERM

A-iPOWER warrants to the initial owner and each subsequent purchaser that the spark ignited small off-road engine is free from defects in materials and workmanship which can cause the failure of an emission warranted part for a period of one (1) years after the engine is delivered to the original retail purchaser. Warranty coverage shall extend to the failure of any engine components caused by the failure of any warranted part still under warranty.

LIMITATIONS

The Emission Control System Warranty shall NOT cover any of the following:

- (a) Repair or replacement required as the result of misuse or neglect, improper maintenance or unapproved modifications, repairs improperly performed or replacement improperly installed, use of unapproved replacement parts or accessories and modifications not recommended by A-iPOWER.
- (b) Replacement parts, other services and adjustments necessary for normal maintenance.
- (c) Transportation to and from the authorized service center or retailer.

LIMITED LIABILITY

The liability of A-iPOWER under this Emission

Control System Warranty is limited solely to the remedy of defects in materials or workmanship. This warranty does not cover inconvenience or loss of the spark ignited small off-road engine equipment or transportation of same to an authorized service center. A-iPOWER shall not be liable for any other expenses, loss, or damage, whether direct, incidental, consequential (except as listed) or exemplary arising in connection with the sale or use of or inability to use the spark ignited small off-road engine equipment for any other purpose.

No express Emission Control System Warranty is given by Aipower with respect to the engine except as specifically set forth in this document. Any Emission Control System Warranty implied by law, including any warranty of merchantability or fitness for a particular purpose, is expressly limited to the Emission Control System Warranty terms set forth in this document.

A-iPOWER HIGH PRESSURE WASHER OWNER LIMITED WARRANTY POLICY

THANK YOU FOR CHOOSING A-iPOWER HIGH PRESSURE WASHER!

OUR WARRANTY

A-iPOWER will, at its option, free of charge, repair or replace any part(s) which, upon examination, inspection and testing by A-iPOWER or an A-iPOWER Authorized Warranty Service Dealer, that is defective in material or workmanship or both. Transportation charges on product submitted for repair or replacement under this warranty must be borne by purchaser. Retain your proof-of-purchase receipt. If you do not provide proof of the initial purchase date, the manufacturer's shipping date of the product will be used to determine the warranty period starting.

WARRANTY TERM

Any new A-iPOWER high pressure purchased for non-commercial use from an authorized A-iPOWER high pressure dealer in the continental North America will be warranted against defects in material or workmanship for a period of one years, from date of purchase, subject to exclusions noted herein. Commercial and rental applications are warranted for one year. The warranty period begins on the date of purchase by the first retail end-user, and continues for the period of warranty time. A-iPOWER customer service will keep on supplying spare parts per request after warranty period with cost charge. "Consumer Use" means residential household using by a retail consumer. "Commercial Use" means all other uses, including used for commercial, industrial or business or rental purposes. Once equipment has experienced commercial use, it shall thereafter be considered as commercial use for purposes of this warranty.

HOW TO OBTAIN WARRANTY SERVICE

Please call our customer service number 1-855-888-3598, or email to: support@a-ipower.com to contact our support team at first in case of a service needed. Please prepare and provide the model number, serial number and the proof of purchase while contacting us. or mail a request to:

A-iPOWER Corp.
1477 E. Cedar St. Unit B

Ontario, CA 91761

USA

ABOUT YOUR WARRANTY

We welcome warranty repair and apologize to you for being inconvenienced. Any Authorized Service Dealer may perform warranty repairs. Most warranty repairs are handled routinely, but sometimes requests for warranty service may not be appropriate. For example, warranty service would not apply if equipment damage occurred because of misuse, lack of routine maintenance, shipping, handling, warehousing or improper installation. Similarly, the warranty is void if the manufacturing date or the serial number on the portable generator has been removed or the equipment has been altered or modified. During the warranty period, the Authorized Service Dealer, at its option, will repair or replace any part that, upon examination, is found to be defective under normal use and service. This warranty will not cover the following repairs and equipment:

- **REGULAR WEARING:** Outdoor Power Equipment, as with all mechanical devices, need periodic part(s) service and replacement to perform as designed. This warranty will not cover repair when normal use has exhausted the lifetime of a part(s) or engine.

- **INSTALLATION AND MAINTENANCE:** This warranty does not cover the generators or its parts what have been subjected to improper or unauthorized assembled, altered, modified, or damaged due to misusing, negligence, accident, overloading, over-speeding, improper maintenance, repair or storage so as, in our judgment, to adversely affect its performance and reliability. This warranty also does not cover regular maintenance and parts such as air filters, adjustments, fuel system cleaning and obstruction (due to chemical, dirt, carbon, lime, and so forth).

- **OTHER EXCLUSIONS:** This warranty excludes wearing parts such as o-rings, filters, etc., or malfunctions resulting from accidents, abuse, modifications, alterations, or improper servicing or freezing or chemical deterioration; Damaged related to rodent and/or insect infestation. Accessory parts such as starting batteries, generator adapter cord sets and storage covers are excluded from the product warranty. This warranty excludes used, reconditioned, and demonstration equipment, equipment used for prime power in place of utility power, equipment used in life support applications, and failures due to acts of God and other force majeure events beyond the manufacturers control, such as collision, theft, vandalism, riot or wars, nuclear holocaust, fire, freezing, lightning, earth-quake, windstorm, hail, volcanic eruption, water or flood, tornado or hurricane.

A-iPOWER's only liability shall be the repair or replacement of part(s) as stated above in no event shall A-iPOWER be liable for any incidental or consequential or consequential damages, even if such damages are a direct result of A-iPOWER' negligence. Overnight freight or special shipping costs for replacement part(s) or overtime, holiday or emergency labor will be borne by purchaser.

THIS IS THE ONLY EXPRESS WARRANTY ON OUR PRODUCTS

We neither assume nor authorize anyone to assume for us any other express warranty. The A-iPOWER Distributor/ Dealer have no authority to make any representation or promise on behalf of A-iPOWER or to modify the terms or limitations of this warranty in any way.

THIS WARRANTY GIVES YOU SPECIFIC LEGAL RIGHTS. AND YOU MAY ALSO HAVE OTHER RIGHTS WHICH VARY FROM STATE TO STATE.

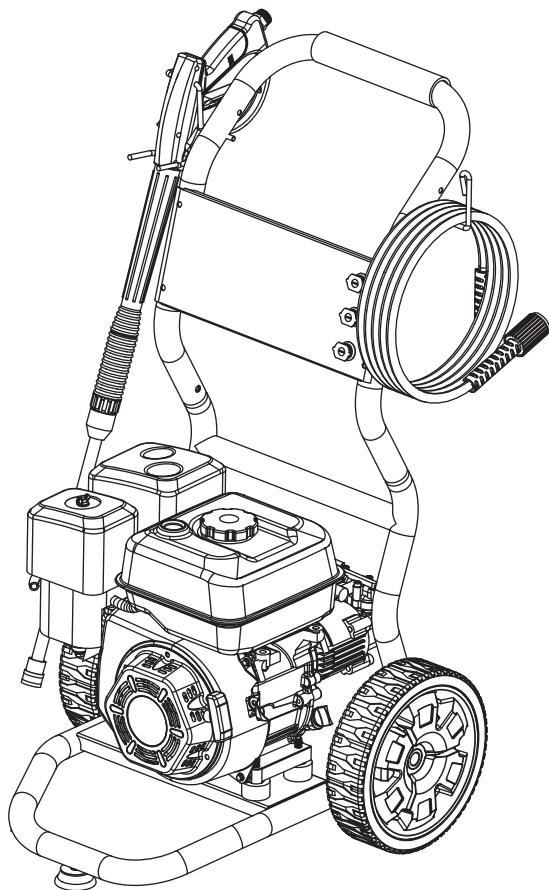


1477 E. Cedar Street # B,
Ontario, CA 91761, U.S.A.
Phone: 626-888-3598
support@a-ipower.com
www. a-ipower.com



3200 PSI HIDROLAVADORA PORTÁTIL

MANUAL DE OPERARIO



Este manual contiene información importante sobre seguridad, operación, mantenimiento de almacenamiento de este producto. Antes de usar, lea cuidadosamente y comprenda todas las precauciones, advertencias, instrucciones y etiquetas del producto. No leer y seguir estas instrucciones podría resultar lesiones personales graves y daños de la propiedad.

TABLA DE CONTENIDO

FELICITACIÓN!	2
INTRODUCCIÓN	2
SEGURIDAD GENERAL	2-4
RECONOZCA LOS SÍMBOLOS, PALABRAS Y ETIQUETAS	2-4
INFORMACIÓN IMPORTANTE DE ESTE MANUAL	4
DESEMPARAJE E INSPECCIÓN	5
ADVERDENCIA DE SEGURIDAD	5-7
REGLAS DE SEGURIDAD GENERAL	5-7
REGLAS DE SEGURIDAD PARA MOTOR DE GASOLINA	7-11
ARRANQUE DEL MOTOR	8-9
HACER AJUSTES O REPARACIÓN AL MOTOR	10
PROBAR LA BUJÍA PARA CHISPA	11
EL TRANSPORTE O LA REPARACIÓN DE EQUIPOS	11
CUANDO ALMACENE O GUARDE EL EQUIPO CON COMBUSTIBLE EN EL TANQUE	12
REGLAS DE SEGURIDAD PARA LAVADORA DE PRESIÓN	12-14
DESCRIPCIÓN FUNCIONAL	15
TERMINOLOGÍA DE HIDROLAVADORA	16
MONTAJE/ACCESORIOS	16
LAVADORA DE PRESIÓN	16
MANGUERA DE PRESIÓN A LA BOMBA DE PRESIÓN	17
MANGUERA DE PRESIÓN A LA PISTOLA	17
LANZA DE ASPERSIÓN A LA PISTOLA	17
SELECCIONAR LA BOQUILLA ADECUADA PARA EL TRABAJO	18
BOQUILLAS PARA LA LANZA	18
BOMBA DE PRESIÓN PARA SUMINISTRO DE AGUA	19
LA REPARACIÓN DE LA LAVADORA A PRESIÓN	19-21
BOMBA DE PRESIÓN	19
AGREGAR ACEITE DEL MOTOR	19
SENSOR DE BOJO ACEITE	20
AGREGAR COMBUSTIBLE	20
ARRANQUE	21
OPERAR	22
USAR LA PISTOLA	23
LIMPIAR	23
USO DE PRODUCTOS QUÍMICOS Y SOLVENTES DE LIMPIEZA	24-25
CERRAR	25
MANTENIMIENTO	25-27
ALMACENAMIENTO	28
BOMBA DE PRESIÓN	29

LAVADORA DE PRESIÓN.....	29-30
REPARACIÓN PARA EL USO DESPUÉS DE LA ALMACENAMIENTO.....	30
GUÍA DE RESOLUCIÓN DE PROBLEMAS.....	31
ESPECIFICACIONES.....	31
1 AÑO GARANTÍA LIMITADA.....	35
GARANTÍAS.....	35-40



FELICITACIONES!

Gracias por seleccionar este hidrolavadora. Nuestro objetivo es ofrecerle productos de calidad profesional, y queremos que quede totalmente satisfecho con el producto y nuestro servicio al cliente. Si se necesita cualquier ayuda o consejo , por favor, no dude en contactarnos a 1-855-888-3598 este producto le dará muchos años de satisfacción.

INTRODUCCIÓN

Este manual de instrucciones está destinado para su beneficio. Por favor, lea y siga las instrucciones de seguridad, instalación, mantenimiento y solución de problemas descritos dentro para garantizar su seguridad y satisfacción. El contenido de este manual de instrucciones se basan en la información más reciente disponible en el momento de la publicación. El fabricante se reserva el derecho de realizar cambios de productos en cualquier momento sin previo aviso.

SEGURIDAD GENERAL

<div style="border: 1px solid black; padding: 5px; display: inline-block;">  WARNING </div>	<p>ADVERTENCIA LEA Y SIGA TODAS LAS INSTRUCCIONES</p> <p>Si no se siguen todas las instrucciones en este manual puede resultar en lesiones personales graves o la muerte. Guarde este manual y consúltelo a las normas de seguridad, los procedimientos operativos y la garantía.</p>	
-------------------------------------------------------------------------------------------------------------------------------------------------------------------------------------	----------------------------------------------------------------------------------------------------------------------------------------------------------------------------------------------------------------------------------------------------------------------------------------------	-------------------------------------------------------------------------------------

GUARDE ESTAS INSTRUCCIONES PARA REFERENCIA FUTURA

RECONOZCA LOS SÍMBOLOS, PALABRAS Y ETIQUETAS

Las instrucciones de seguridad ofrecidas en este manual no están destinadas a cubrir todas las posibles condiciones y prácticas que pudieran ocurrir al tiempo de operar, mantener y limpiar herramientas eléctricas. Siempre use el sentido común y preste atención a todas las indicaciones de PELIGRO, ADVERTENCIA, PRECAUCIÓN y NOTAS que aparecen en este manual.



Este es el símbolo de alerta de seguridad. Se utiliza para advertir de posibles riesgos de lesiones. Observe todos los mensajes que siguen a este símbolo para evitar posibles lesiones o la muerte.



DANGER indica una situación inminentemente peligrosa que, si no se evita, causará la muerte o lesiones graves.



WARNING indica una situación potencialmente peligrosa que, si no se evita, causará la muerte o lesiones graves.



CAUTION indica una situación potencialmente peligrosa que, si no se evita, puede provocar lesiones leves o moderadas.



CAUTION Sin el símbolo de alerta de seguridad indica una situación potencialmente peligrosa que, si no se evitar, puede resultar en daños a la propiedad.



NOTE ofrece información adicional que es útil para el uso y mantenimiento correcto de esta herramienta. Si hay un NOTE se indica, asegúrese de que está completamente entendido.

Además **ALERTAS DE SEGURIDAD** antes mencionadas, también podría haber numerosos símbolos que alertan al operador de que se requieren medidas específicas de seguridad para operar esta herramienta con seguridad. Conozca estos símbolos de seguridad, así como los avisos de seguridad para evitar lesiones al operador y para los espectadores.



Lea instrucción de operar: leer y entender las etiquetas de la herramienta, las advertencias y precauciones de seguridad en este manual antes de usar la herramienta. No seguir las advertencias podría causar lesiones graves o incluso la muerte del operador o los espectadores.



Peligro de incendio: el calor de escape del motor puede encender material combustible, estructura del edificio o tanques de gas resultando en un incendio.



Las descargas eléctricas: esta herramienta produce electricidad peligrosa. Leer y familiarizarse con la advertencia y precauciones de este manual para que se ha instalado y utilizado correctamente.



Usar protección para los ojos: esta herramienta ha giratorio y piezas que podrían convertirse en suspensión en el aire si está dañado en movimiento. Siempre use protección aprobada para los ojos al operar el equipo con partes móviles. Las gafas de seguridad deben cumplir con los requisitos de la American National Standards Institute (ANSI) Z87.1 y proporcionar protección contra las partículas en el aire desde la parte frontal y lateral.



Humos venenosos: Esta herramienta utiliza un motor de gasolina que produce vapores tóxicos de su escape. Asegúrese siempre de que existe una ventilación adecuada cuando trabaje con este equipo.



Peligro de explosión: combustible y sus vapores son extremadamente inflamables y explosivos. El fuego o una explosión de estos vapores pueden causar quemaduras graves o incluso la muerte.



Piezas giratorias: arrancador y otras piezas que rotan sobre esta herramienta pueden enredar la ropa suelta, el pelo largo y los accesorios que resultan de moderada a lesión grave.



Superficies calientes: silenciador del motor y otras piezas del motor pueden alcanzar temperaturas muy altas. Entrar en contacto con componentes calientes del motor puede causar graves quemaduras. Los gases de escape del motor pueden causar la ropa se incendie si entra en contacto por cualquier periodo de tiempo.



Contragolpe: cable del arrancador puede contragolpe (retroceso) muy rápidamente. Contragolpe retrocederá cordón de arranque más rápido de lo que puedes dejar ir.



Unidad es pesada: Cuidado al tiempo de levantar o mover la unidad.



Peligro de inyección: lavadoras a presión pueden producir corrientes de fluido lo suficientemente graves como para penetrar en los animales y la carne humana.



Resbalar y caer: arandelas de presión producen charcos de líquido resbaladizo que pueden resultar en caídas. El retroceso de la varilla rociadora puede provocar caídas al usar plataformas inestables.

INFORMACIÓN IMPORTANTE SOBRE ESTE MANUAL



el uso inadecuado e inseguro de esta lavadora a presión puede ocasionar la muerte, incendio y/o lesiones corporales. Mantener el manual de instrucciones disponible para que otros lo lean antes de usar la lavadora a presión.

Mantenimiento y operación inadecuada son responsables de la mayoría de los accidentes relacionados con las arandelas de presión de gas. La mayor parte de ellas podrían prevenirse mediante el reconocimiento de las normas y medidas de seguridad básicas. La mayoría de los accidentes se pueden evitar si el operador reconoce una situación de riesgo potencial antes de que ocurra y observando las normas y procedimientos de seguridad adecuados como se indica en este manual.

Precauciones básicas de seguridad se describen en la parte de seguridad de este manual y todo el texto de este manual donde podría ocurrir un peligro potencial.

Riesgos que habrá que eludir para evitar lesiones graves encabezados seguimiento marcados peligro o advertencia. Estas mismas precauciones se colocan como etiquetas en la propia herramienta.

Nunca use esta lavadora a presión para aplicaciones que no estén especificados en este manual.

DESEMBLAJE & INSPECCIÓN

Después de abrir la caja, desempaque su nueva lavadora de presión y piezas y accesorios relacionados. Por favor, revísela cuidadosamente para cualquier daño que pueda haber ocurrido durante el transporte. Si faltan piezas, por favor póngase en contacto con nuestra línea de ayuda



WARNING No utilice esta lavadora a presión si se dañan durante el transporte, manipulación o uso indebido. Los daños pueden ocasionar una explosión, lo que puede provocar lesiones graves o daños materiales. Todas las piezas dañadas deben ser reparadas o reemplazadas, según sea necesario antes de operar esta lavadora a presión.

Compruebe que todas las tuercas, pernos y accesorios estén seguros antes de poner esta lavadora a presión en servicio. Si tiene alguna pregunta o necesita ayuda con las piezas dañadas o faltantes, por favor póngase en contacto con nuestra línea de ayuda 1-855-888-3598. Por favor tenga el número de serie, número de modelo, fecha de compra, y la lista de piezas (con piezas que faltan identificados) disponible para referencia cuando llame.

NÚMERO DE MODELO: _____

NÚMERO DE SERIE: _____

FECHA: _____

ADVERTENCIAS DE SEGURIDAD

LEA TODAS LAS ADVERTENCIAS DE SEGURIDAD ANTES DE USAR LA LAVADORA A PRESIÓN

REGLAS DE SEGURIDAD GENERAL

⚠ WARNING

Personas con dispositivos electrónicos como marcapasos deben consultar a su médico antes de usar este producto. Operación de los equipos eléctricos o la onda electromagnética creada por la bujía del motor en las proximidades de un marcapasos podría causar interferencia o falla de dicho dispositivo.

ADVERTENCIA: Este producto contiene químicos que en el estado de California como causante de cáncer y defectos de nacimiento u otros daños reproductivos.

ADVERTENCIA: los gases de escape del motor de este producto contienen sustancias químicas que el Estado de California como causante de cáncer, defectos de nacimiento y otros daños reproductivos.

Mantener el área de trabajo limpia y bien iluminada. Áreas y bancos de trabajo desordenados pueden provocar lesiones personales y / o propiedad damage. Limpie todas las áreas de trabajo de herramientas innecesarias, residuos, muebles, etc.

Asegúrese de que el área de trabajo esté bien ventilada. Nunca opere en un área cerrada. No coloque objetos en la parte superior o en contra de la herramienta.

Manejar correcta. Siempre operan de acuerdo con las instrucciones proporcionadas. Nunca permita que la herramienta para ser operado por los niños, las personas no están familiarizados con su funcionamiento o personal no autorizado.

Mantenga a los niños y visitantes alejados. Todos los niños deben mantenerse alejados del área de trabajo. NO permita que los niños manipulen la tool. Maintain una distancia segura para cualquier persona cerca de la zona de trabajo.

A prueba de niños del taller. El uso de interruptores maestros y candados es las llaves de arranque altamente recommended. Remueve en su caso.

Manténgase alerta, observe lo que está haciendo y use el sentido común. No se pare sobre la herramienta. No utilice la herramienta cuando esté cansado o bajo la influencia de drogas, alcohol o medicamentos. Un momento de distracción mientras opera la herramienta puede ocasionar lesiones personales graves.

Operar cualquier herramienta o equipo bajo la influencia de drogas, alcohol o medicamentos puede causar lesiones personales para usted y los demás. Utilice la herramienta correcta. Utilice las herramientas de forma adecuada y por su tarea prevista. No fuerce una herramienta pequeña para hacer el trabajo de una herramienta de trabajo pesado.

⚠ WARNING

El uso de la herramienta adecuada para hacer el trabajo correcto realizara el trabajo más seguro.

Siempre asegúrese de que la herramienta esté en la posición OFF cuando se hacen ajustes, cambio de piezas, o la realización de cualquier tarea de mantenimiento o.

Servicio debe ser realizado solamente por personal calificado. Servicio o mantenimiento realizado por personal no calificado puede significar un riesgo de lesiones.

No utilice la herramienta si el interruptor no la enciende "ON " o " OFF". Una herramienta que no pueda controlarse con el interruptor es peligrosa y debe ser reparada.

Almacenar todas las herramientas de mantenimiento fuera del área inmediata antes de conectar la herramienta.

No se estire demasiado. Firme y equilibrado es una necesidad en todo momento durante el uso de herramientas. Un soporte inestable puede conducir a lesiones personales. No se pare sobre la herramienta. Se pueden producir lesiones graves si la herramienta se inclina más o accidentalmente en contacto con la herramienta.

Cuando el uso de accesorios, consulte el manual del propietario proporcionado por el fabricante. El uso de accesorios inadecuados puede causar riesgo de lesión a usted ya los demás.

Mantener a los protectores en su lugar y en buenas condiciones de funcionamiento

Mantener las herramientas y el equipo con cuidado. Ellos funcionarán mejor y con más seguridad cuando se mantienen limpios y en buenas condiciones de trabajo. Mantener la herramienta limpias, secas y libres de suciedad, lo que su vida útil y el rendimiento.

No utilice la herramienta para aplicaciones distintas a las especificadas.

REGLAS DE LA SEGURIDAD PARA EL MOTOR GASOLINA

⚠ WARNING

Monóxido de carbono es un producto de combustión incompleta, tal como de escape del motor. El monóxido de carbono es incoloro, inodoro e insípido y puede matar en cuestión de minutos.



Filtros de partículas de gas y respiradores no proteger a alguien de la intoxicación por monóxido de carbono. Si aparecen síntomas de envenenamiento por monóxido de carbono, llevar a la persona afectada al aire libre de inmediato y lejos de todas las estructuras y equipos que puedan producir el gas. Llame para recibir tratamiento médico de emergencia y que sean conscientes de la situación.

Utilice la limpiadora a presión sólo al aire libre. No permita que los vapores de gas de escape de entrar en áreas confinadas por ventanas, puertas abiertas, conductos de ventilación y otras aberturas.

No comience ni deje funcionar el motor en interiores o en un área cerrada, como un garaje (aunque haya ventanas y puertas abiertas). Esto también se aplica al compartimiento del motor de un vehículo recreativo (RV)

Los gases de escape del motor de este producto contienen sustancias químicas que el estado de California como causante de cáncer, defectos de nacimiento u otros daños reproductivos.

NOTE

Instalar un detector de monóxido de carbono impulsado por batería (CO), cerca de todas las habitaciones para alertar a los ocupantes de los niveles peligrosos de monóxido de carbono. El monóxido de carbono es un gas incoloro, inodoro, muy venenoso.

El sistema de control de emisiones para el motor está garantizado por las normas establecidas por la agencia de protección del medio ambiente.

LOS SÍNTOMAS DE LA INTOXICACIÓN POR MONÓXIDO DE CARBONO

El monóxido de carbono (CO) es un gas incoloro, inodoro, insípido, extremadamente tóxico que puede matar en cuestión de minutos, respirando aire que contiene monóxido de carbono produce síntomas de dolor de cabeza, mareos, pérdida de muscular control, una sensación de sueño y finalmente coma. Daño cerebral moderado o grave puede ser consecuencia de la inhalación de monóxido de carbono del aire que contiene. El monóxido de carbono es un producto de la combustión incompleta de los combustibles y se produce en los gases de escape de los calentadores que queman combustible y todos los motores de combustión interna. El monóxido de carbono se acumula en los espacios donde no hay flujo de aire constante o ventilación. Si usted comienza a sentirse enfermo, mareado o débil debido a la exposición al CO durante el uso de motores de gasolina, **CONSIGA AL AIRE FRESCO DE INMEDIATO.**

AÑADIENDO O DRENAJE DE COMBUSTIBLE HACIA O DESDE EL MOTOR

WARNING



Combustibles y los vapores son extremadamente inflamables y explosivos. Incendio y explosión pueden causar quemaduras severas e incluso la muerte.

- Apague el motor a la posición **OFF** y deje que se enfríe al menos dos minutos antes de remover la tapa de combustible. Afloje la tapa lentamente para aliviar la presión en el tanque de combustible.
- **NO** llene o vacíe el depósito de combustible en el interior de estructuras cerradas. Chispas accidentales pueden provocar incendios o explosiones que conducen a quemaduras severas e incluso la muerte.
- **NO** llene demasiado el tanque de combustible. Deje un amplio espacio para la expansión del combustible
- **NO** arranque el motor en la zona del derrame de combustible. Fuego y la expansión del combustible.
- Mantenga la gasolina alejada de chispas, llamas abiertas, lights piloto, calor y otras fuentes de ignición. **NO** fume mientras opera el motor.
- **NO** incline el motor o el equipo, de que podría resultar en el combustible se derrame del tanque de combustible.

ARRANCAR EL MOTOR

WARNING

El retroceso del cable del arrancador (repliegue rápido) puede tirar de su mano y brazo hacia el motor más rápido de lo que se puede dejar de lado. El no tener en cuenta esta función puede resultar en huesos rotos, fracturas, contusiones y esguinces pueden resultar.



- Al arrancar el motor , tire lentamente del cable hasta sentir resistencia , luego jale rápidamente para evitar su retroceso.

WARNING

Un chispeo involuntario puede producir un incendio o una descarga eléctrica. El incumplimiento de esta advertencia puede resultar en daños a la propiedad, quemaduras graves y / o muerte.



- Compruebe que la bujía esté en su lugar antes de intentar arrancar el motor.
- Asegurar el silenciador está fijado al motor antes de iniciar.
- Asegúrese de tapón del depósito está en el tanque de combustible y bien apretada.
- Asegúrese de limpiador de aire está limpio y correctamente conectado al motor.



Un filtro de aire sucio cambia la relación de aire a combustible y promueve la combustión incompleta del combustible increasing la salida del monóxido de carbono. Asegúrese siempre de filtro de aire esté limpio antes de cada operación del motor.

- **NO** arranque el motor con el alambre de la bujía instalada. La chispa resultante podría encender el combustible derramado.

WARNING

No se comunica con la zona del silenciador con el motor en marcha. Silenciador pone muy caliente y puede causar quemaduras graves. Los gases de escape pueden inflamar los elementos combustibles, como ropa o estructuras en las proximidades. Gases de líquidos de silenciador desgastado puede calentar y depósito de combustible daños y originar un incendio o explosión.



- **NO** toque las partes calientes del motor ni el silenciador.
- **EVITE** los gases del escape a alta temperatura.
- Mantener un mínimo de 5 pies (1.5 m) de espacio en todos los lados del motor , incluyendo la parte superior.

WARNING

Arrancador y otras piezas que rotan pueden enredar las de motor de pelo, las manos, la ropa y los accesorios.



- **NUNCA** opere con sus carcasas o cubiertas retiradas.
- **NO** use con ropa suelta o joyas que puedan quedar atrapados en las piezas de arranque u otros rotativos. Ate para arriba el pelo largo o usar reddecilla o sombrero.

HACER AJUSTES O REPARACIONES DEL MOTOR

⚠ WARNING

Las velocidades de operación en exceso, aumentan los riesgos de heridas y daños al motor. Velocidades excesivamente bajas producen gran carga en el motor.

- **NO** intente alterar prefijado la velocidad controlada. Regulador de velocidad
- se ajusta en fábrica para suministrar energía óptima caballo de salida (HP) cuando funciona a una velocidad determinada.
- **NO** modifique el motor de ninguna manera.

PROBAR LA BUJÍA PARA CHISPA

⚠ WARNING

- **NO** comprueba la bujía para chispa mediante la eliminación de la culata.
- Desconecte el cable de la bujía y la punta de la cubierta con un material no conductor , como cinta aislante para evitar que entren en contacto con la bujía , el tanque de combustible o en otras partes del motor donde el daño puede resultar de chispas.
- Reemplazar una bujía defectuosa sólo con partes autorizadas.
- Uso comprobador de bujías homologado.

EL TRANSPORTE O LA REPARACIÓN DE EQUIPOS

⚠ WARNING

Riesgo de daños a la propiedad cuando se transporta de lavado a presión.

Apagar la lavadora a presión antes del transporte. Tenga cuidado al mover la lavadora a presión. El aceite puede derramarse y ello podría resultar en un incendio o respirar, lesiones graves o la muerte. Las fugas de aceite pueden dañar alfombras, pintura u otras superficies en vehículos o remolques. Asegúrese de usar el asa para levantar o transportar la lavadora a presión.

⚠ CAUTION

- El juego de ruedas no está diseñado para más de la carretera. Limpieza a presión deberán ser transportados en un vehículo o en un remolque
- Unidad es pesada. Tenga cuidado al levantar o mover la unidad. El transporte o la reparación con el tanque de combustible vacío para evitar
- que una chispa no intencional encender los vapores del combustible.
- resultando en un incendio o una explosión.



CUANDO ALMACENE O GUARDE EL EQUIPO CON COMBUSTIBLE EN EL TANQUE

WARNING

Manténgalo alejado de calderas, estufas, calentadores de agua, secadoras de ropa u otros aparatos que utilicen llama piloto u otras fuentes de ignición que podrían inflamar los vapores de combustible.

REGLAS DE SEGURIDAD PARA LAVADORA DE PRESIÓN

DANGER

RIESGO DE INCENDIO O EXPLOSIÓN



Guarde siempre el combustible alejado de la lavadora a presión y en un recipiente aprobado.

Combustibles y los vapores son extremadamente inflamables y explosivos. Incendio y explosión pueden causar quemaduras severas e incluso la muerte.

Asegúrese de que todas las aberturas de ventilación están claras y libres de restricciones. Aberturas de ventilación restringida puede causar un sobrecalentamiento y / o incendio.

WARNING



No haga operar la lavadora a presión en áreas altamente explosivas, como en presencia de líquidos inflamables, gases o polvo. Lavadora de presión puede producir chispas que pueden encender el polvo o los gases.

Vestir ropa adecuada. Retire las joyas antes de usar la lavadora a presión. No use ropa suelta, collares, anillos, pulseras u otras joyas. Guantes no conductores son altamente sugeridos durante el trabajo. Llevar cubierta protectora del pelo para sujetar el pelo largo.

Ser responsable de la audición. Usar protección para los oídos durante períodos prolongados de funcionamiento.

No utilice la lavadora a presión si el ruido o vibración excesiva está presente. Hágalo reparar inmediatamente.

Guarde la lavadora a presión en el interior en un área segura y lejos de otros equipos. Nunca almacene la lavadora a presión cerca de una llama abierta o materiales inflamables.



Mantenga la lavadora a presión con un mínimo de 5 pies (1,5 m) de espacio en todos los lados incluida la parte superior.

REQUISITOS ESPECIALES

Puede haber (OSHA), códigos locales u ordenanzas que se aplican al uso previsto de los motores de combustión interna de seguridad federal o estatal occupational y administración de la salud . Consulte a una agencia local responsable de la utilización de este tipo de equipos.



WARNING

RIESGO DE LESIONES



Lavadora de presión produce presiones y velocidades de fluido suficientemente alto como para penetrar el tejido humano y animal, que podría resultar en lesiones graves o la amputación.

Asegurar que todas las conexiones estén bien apretados. Inspeccione todas las mangueras para asegurarse de que no estén dañados o doblados. Las conexiones flojas o mangueras dañadas pueden causar lesiones por inyección.

Asegurar que todos los accesorios estén conectados correctamente. Tire de conexión para asegurarse de accesorios estén seguros. Accesorios conectados inadecuadamente, pueden separarse inesperadamente y provocar lesiones.

Nunca coloque las manos delante de la boquilla.

Nunca trate de conectar o remover el tubo aplicador o accesorios de la manguera mientras el sistema de lavado a presión se presuriza.

NO tratar las lesiones de inyección de fluidos como un simple corte. Consulte inmediatamente al médico.

NO permita que la manguera de presión entre en contacto con el silenciador del motor

La pulverización de líquidos de alta velocidad puede hacer que los objetos se rompan, propulsando partículas a altas velocidades.

Siempre use anteojos de seguridad aprobados al usar o realizar el mantenimiento de las lavadoras a presión.



NUNCA sustituir las gafas de seguridad para las gafas. Se pueden producir lesiones oculares.

SIEMPRE usar ropa de protección para evitar la pulverización accidental.

NO fije permanentemente pulverizador de gatillo varita en posición abierta

NO utilice la lanza de boquilla que no tenga un seguro para gatillo o protección para gatillo en su lugar y en buenas condiciones de funcionamiento.

⚠ WARNING

NO use ácidos, productos químicos tóxicos o corrosivos, venenos, insecticidas, disolventes inflamables o cloro con agua a presión. El uso de estos productos químicos puede causar daños al equipo o lesiones graves o la muerte.



NO dirija el rociado hacia las tomas de corriente, interruptores o productos conectados al servicio eléctrico. El incumplimiento de esta advertencia puede resultar en electrocución o descargas eléctricas que ocasionen quemaduras graves y posible resultado de muerte.

NUNCA haga funcionar la bomba de presión no tiene el suministro conectado y abierto. Los daños no reparables a la bomba se producirán.

RIESGO DE CAÍDA

Lavadora de presión puede crear los charcos de soluciones resbaladizas que pueden convertirse en peligrosos.



Asegúrese de que usted está parado sobre una superficie estable mientras se conduce agua a presión. El retroceso inicial de incurrir tubo rociador puede perder el equilibrio y la consiguiente caída de menor importancia a las lesiones graves.

Tenga mucho cuidado si tiene que funcionar la lavadora a presión desde una escalera o andamio. El retroceso de la varilla rociadora puede dar lugar a la pérdida de equilibrio y la caída de los menores a las lesiones graves.

Al limpiar la lavadora a presión, asegúrese de que hay pendientes adecuadas para el drenaje lo que las soluciones no crean charcos alrededor de la unidad que podrían resultar en resbalones y caídas.

Sostener firmemente la varilla rociadora con ambas manos cuando utilice el rociado a alta presión para evitar lesiones en caso rociar tiro varita.

⚠ CAUTION

La lavadora de presión se debe ejecutar con los pies de goma que descansa sobre una superficie horizontal plana y estable.

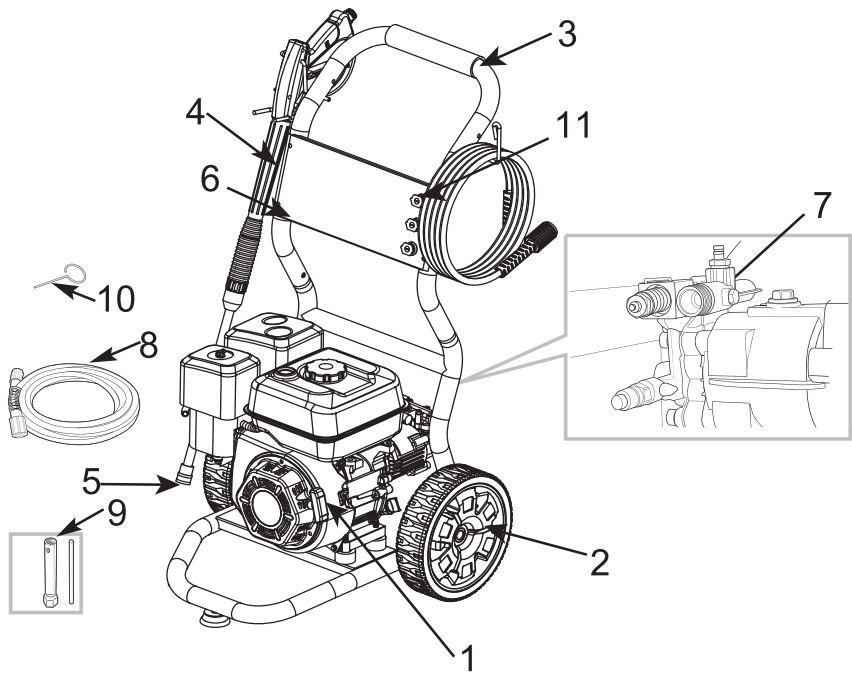
La lavadora a presión debe ser utilizada en un área limpia y bien ventilada.

Mantenga la lavadora a presión con un mínimo de 5 pies (1,5 m) de espacio en todos los lados incluida la parte superior.

NO instale la lavadora a presión en un área:

- Donde hay evidencia de fugas de aceite o de gas.
- Donde los vapores de gases inflamables o materiales pueden estar presentes.
- Donde el aire muy sucio o del agua pueden tapar la lavadora a presión.

DESCRIPCIÓN FUNCIONAL



FUNCIONES DE LA LAVADORA DE PRESIÓN:

- | | |
|-----------------------|--------------------------------------|
| 1. Motor de gasolina | 7. Bomba de presión |
| 2. Juego de ruedas | 8. Manguera de alta presión |
| 3. Marco | 9. Caja de herramientas |
| 4. Pistola | 10. Aguja de limpieza de la boquilla |
| 5. Lanza de aspersión | 11. Boquilla |
| 6. Panel de boquilla | |

TERMINOLOGÍA DE LA LAVADORA DE PRESIÓN

Siguientes son los términos más comunes asociados con el uso de lavadoras a presión:

PSI: Libras por pulgada cuadrada. Unidad de medición para la presión del agua.

GPM: Galones por minuto. Unidad de medición para el flujo de agua.

Modo de derivación: En el modo de derivación, bomba de alta presión recircula el agua porque el gatillo no se aprieta.

Válvula de alivio térmico: Cuando está en modo de bypass, esta válvula libera un chorro de agua para evitar que la temperatura del agua llegue a niveles nocivos que dañan la bomba. Una vez que el agua se haya enfriado, la válvula de seguridad térmica se restablecerá. No permita que la bomba funcione sin pulverizar (en el modo de derivación) durante más de 5 minutos.

MONTAJE / ACCESORIOS

Esta lavadora a presión requiere un poco de montaje (herramientas incluidas) y estará listo para su uso después de dar servicio con el fabricante de aceite y combustible aprobado. Si usted tiene problemas con el montaje de su limpiadora a presión, por favor llame a la línea directa la lavadora de presión en 1-855-888-3598, si llama para recibir asistencia, por favor haga que el modelo, revisión y el número de serie de etiqueta de datos disponible.

LAVADORA DE PRESIÓN



WARNING

Unidad es pesada. No trate de levantar y retirar la unidad de lavadora de presión de la caja.

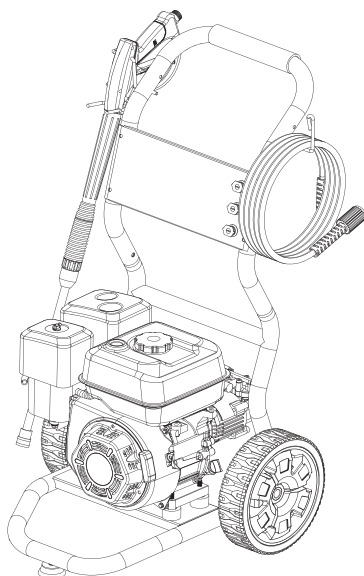


1. Usando un cortador de cajas, cartón abierta por completo al cortar las cuatro esquinas que permiten a las partes a poner completamente. Dejar la lavadora de presión en la caja.
2. Eliminar todos los elementos excepto la lavadora de presión de la caja y verifique que no completo (ver descripción funcional).
3. Incline con cuidado la lavadora a presión hacia adelante y coloque en su lado frontal y proceder a montar la unidad utilizando las herramientas proporcionadas.
4. Inserte los ejes a través de los agujeros en el marco inferior de interior como se muestra. Monte las ruedas de los ejes desde fuera (usando los pasadores de chaveta). Para fijar las ruedas a los ejes, insertar las chavetas en el interior de los pequeños agujeros en los ejes y doblar hacia atrás el extremo de los pasadores con un par de pinzas (no incluido).
5. Montar las patas al tubo bastidor inferior (usando las arandelas, tuercas y tornillos) como se muestra. Apriete todos los herrajes de montaje.

6. Tras la finalización del conjunto de la rueda / pierna, coloque cuidadosamente la lavadora a presión sobre sus ruedas y las piernas

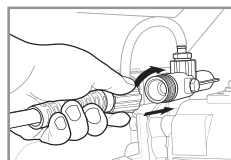
7. Montar el mango para la tubería del marco como se muestra .

8. Montar el sostenedor de la pistola al marco como se muestra



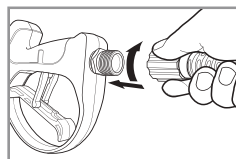
MANGUERA DE PRESIÓN A LA BOMBA DE PRESIÓN

Conecte la manguera de alta presión a la salida de la bomba. Asegurándose de que la conexión ha quedado libre de fugas.

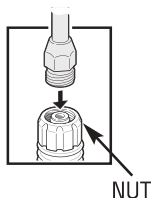


MANGUERA DE PRESIÓN A LA PISTOLA

Conectae la manguera a la pistola de alta presión ajustándola hasta asegurarse de que este firmemente sujeta.



LANZA DE ASPERSIÓN A LA PISTOLA



1. Retire la tapa protectora de plástico en la entrada de la varilla.
2. Conecte la lanza a la pistola y apriete firmemente la tuerca con mano.

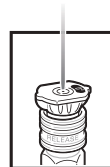
SELECCIONAR LA BOQUILLA ADECUADA PARA EL TRABAJO

NOTE

Para evitar daños en su superficie y de seleccionar un tamaño de la boquilla adecuada para su aplicación, siempre comienzan con el menor tamaño de la boquilla de presión (blanco) y seguir cambiando el tamaño de la boquilla más alta hasta que se logre el mejor resultado de trabajo.

La lavadora a presión viene equipada con tres boquillas de pulverización. Cada boquilla está codificado por colores y ofrece un abanico de pulverización específico y presión para un trabajo de limpieza en particular. El tamaño de la boquilla determina el tamaño de la pulverización en abanico y la presión fuera de la boquilla.

Boquilla de 0°-Roja: Esta boquilla genera un chorro de precisión y es extremadamente potente. Cubre un área muy pequeña de limpieza. Esta boquilla deberá usarse únicamente en una superficie dura que pueda resistir esta alta presión tal como metal o concreto. No se use en madera. Su uso principalmente es para desincrustar suciedad sumamente difícil de limpiar.



Boquilla de 25°-Verde: Esta boquilla entrega un rocío en un ángulo de 25 grados en forma de abanico para limpieza de áreas más grandes. Esta boquilla debería usarse únicamente en áreas que puedan resistir la alta presión de esta boquilla.



Boquilla para químicos-Negra: Esta boquilla se usa para aplicar soluciones químicas o de limpieza. Tiene el chorro menos potente de todas las boquillas y permite una aspersión más suave de los productos de limpieza sin que se desperdicien estos.



BOQUILLAS PARA LANZA DE PRESIÓN

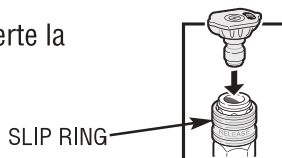
⚠ WARNING

Nunca coloque las manos delante de la boquilla. Nunca sujete la manguera o accesorios durante la operación de lavado a presión. Nunca trate de conectar o remover lanza de presión o accesorios de la manguera mientras el sistema de lavadora se presuriza.

Apagar la lavadora a presión y bloquee el gatillo de la pistola antes de intentar cambiar las boquillas de presión.

Con sus dedos jale el conector rápido hacia atrás e inserte la boquilla.

Suelte el conector rápido y gire la boquilla para cerciorarse que está bien asegurada.

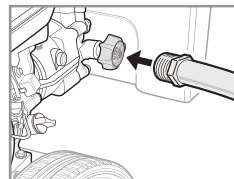


BOMBA DE PRESIÓN PARA SUMINISTRO DE AGUA

1. Conecte la manguera de jardín para el suministro de agua y cierre el suministro de agua en llenar la manguera con agua y también eliminar los residuos en la manguera. Cierre el suministro de agua.

2. Asegúrese de que el filtro de entrada de agua en el interior de la lavadora a presión está limpio y en buen estado. enrosque la manguera de jardín en la entrada de la manguera de agua. apriete firmemente la mano la tuerca de entrada.

3. Abra el suministro de agua.



NOTE

La limpiadora a presión requiere un mínimo de 20 PSly un caudal de 5 GPM.

LA PREPARACIÓN DE LA LAVADORA A PRESIÓN

⚠ WARNING

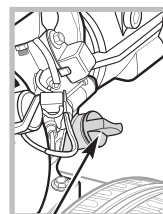
El tratamiento inadecuado la limpiadora a presión puede dañar los componentes internos y reducir la vida útil de la unidad. La desatención a esta warnig anulará la garantía.

BOMBA DE PRESIÓN

La bomba de presión no requiere preparación. Si observa algún signo de fuga de aceite en y alrededor de la bomba, NO haga funcionar la lavadora a presión. Por favor llame a la línea de lavado a presión.

AGREGA ACEITE DE MOTOR

1. Mover la lavadora a presión fuera y colocar sobre una superficie plana y nivelada.
2. Retire la varilla de medición de aceite del motor y colocar el embudo en el depósito de aceite.
3. vierta el aceite del motor (SAE10W-30) hasta que el nivel de aceite alcanza los hilos dentro del depósito de aceite.
4. Apriete a mano dip stick de aceite y limpie todo el aceite derramado.



DIP STICK

SENSOR DE BAJO ACEITE

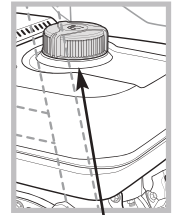
Para evitar el daño al motor causados por una cantidad insuficiente de aceite en el cárter, el motor está equipado con un sensor de bajo nivel de aceite. Si el aceite está por debajo de la cantidad segura, el sensor se activará y evitar que el motor arranque o se detiene el motor en marcha.

Si la lavadora a presión se apaga y el nivel de aceite está dentro de las especificaciones, compruebe si la lavadora a presión está sentado en un ángulo que obliga que el aceite de cambio.

Colocar sobre una superficie plana para corregir esto. si el motor no arranca , el nivel de aceite no puede ser suficiente para desactivar el sensor de bajo nivel de aceite. Agregar el aceite como se describe anteriormente.

AGREGA COMBUSTIBLE

1. Mover la lavadora a presión fuera y colocar sobre una superficie plana y nivelada.
2. Quite el tapón del depósito de gasolina. añadir cuidadosamente 87 octano (o más alto) grado gasolina sin plomo al tanque . No llenar demasiado. dejar espacio para la gasolina para ampliar .
3. Reemplace y apriete a mano tapa de la gasolina y limpie los derrames de combustible.



CAP

WARNING

Combustible y los vapores de combustible son extremadamente inflamables y explosivos. Incendio o explosión por el mal uso de combustible pueden causar quemaduras severas e incluso la muerte.

La no utilización de combustible como se recomienda en este manual anulará la garantía .



Al agregar combustible a la lavadora de presión, observe lo siguiente:

NO utilice gasolina no autorizada; por ejemplo, E85 (85 % etanol y 15 % gasolina).

NO mezcle el aceite con la gasolina.

NO modifique el motor para funcionar con otros combustibles.

Encender la lavadora a presión y deje que se enfríe durante al menos dos minutos antes de remover la tapa de combustible. Afloje la tapa del combustible lentamente para aliviar la presión.

Mantenga el combustible lejos de chispas, llamas abiertas, pilotos , calor y otras fuentes de ignición.

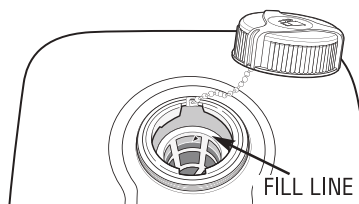
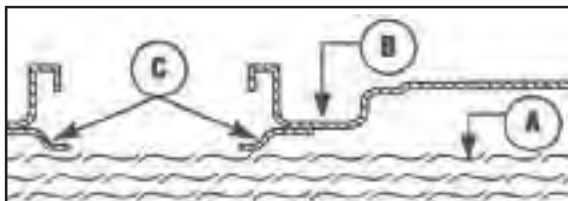
NO encienda un cigarrillo o fume cerca del tanque de combustible o

recipiente abierto.

Limpie el área alrededor del llenado de gasolina y lentamente saque la tapa para permitir que la presión escape.

instale la tapa de combustible y deje todo el combustible derramado se evapore antes de arrancar el motor.

NO llene el tanque de combustible. agregue lentamente gasolina sin plomo (A) para alimentar tan (B). tenga mucho cuidado de no llenar de combustible por encima deflector (C). esto permite el espacio adecuado para la expansión del combustible .



ARRANQUE

Antes de iniciar la lavadora a presión, asegúrese de que usted tiene:

1. Seleccionado una boquilla de tamaño adecuado para el trabajo a mano (consulte "Selección de la boquilla de la derecha ").
2. Adjunto la lavadora a presión a la fuente de agua y encender la fuente (Ver " se conecta la bomba de suministro de agua ").

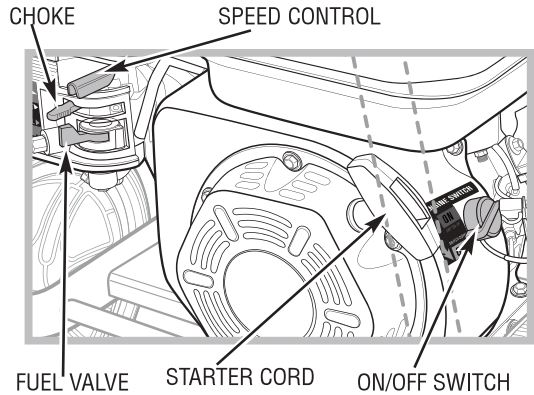
⚠ WARNING

NO haga funcionar la bomba si no tiene el suministro conectado y encendido. Daño a la lavadora a presión resultado de la desatención a esta precaución, se anulará la garantía.

3. Para su protección , usar gafas protectoras de seguridad (incluido).
4. Mover la lavadora a presión fuera en un área totalmente ventilado.
5. Poner la lavadora a presión sobre una superficie plana y nivelada y cerca de la superficie de trabajo. mantener un mínimo de 5 pies (1.5 metros) de espacio en todos los lados del motor , incluyendo la parte superior. hacia el orificio de escape del motor alejado de viviendas.
6. Asegúrese de que la palanca del acelerador está ajustado en la posición "fast " (a la izquierda) .
7. Deslice la palanca de la válvula del combustible a la posición " ON" (a la derecha) para que el combustible fluya al motor.
8. Deslice la palanca del cebador a la posición "START" (a la izquierda)
9. Apagar el motor de ON/OFF a la derecha en la posición ON.
10. Apunte la boquilla hacia una dirección segura y apriete el gatillo de la pistola para permitir y facilitar el arranque del motor.

11. Para encender el motor, jale de la cuerda de arranque lentamente hasta sentir resistencia, luego jale rápidamente para evitar la patada hacia atrás. repetir hasta que el motor empiece a funcionar. suelte el gatillo.

12. Palanca del obturador deslizante en la posición " RUN" (a la derecha) .



OPERAR

⚠ WARNING

No deje de lavado a presión en el modo de derivación durante más de dos minutos a la vez. La temperatura del agua dentro de la bomba de presión se elevará a un nivel peligroso que resulta en daño a los componentes internos de la bomba. No seguir esta advertencia se anulará la garantía.

NO haga funcionar la bomba de presión no tiene el suministro conectado y abierto. Daño a la lavadora a presión resultante de faliure a esta precaución, se anulará la garantía.

Siempre use anteojos de seguridad aprobados cuando se opera lavadoras a presión. Aerosol puede salpicar o propulsar objetos, incluyendo los accesorios conectados incorrectamente.



⚠ WARNING

La corriente de agua a presión que este equipo produce, puede atravesar la piel y los tejidos subcutáneos, provocando una posible amputación. La pistola rociadora contiene agua a alta presión, incluso cuando el motor está parado y el agua desconectada, que puede causar lesiones.



El retroceso de la pistola rociadora puede provocar una caída.



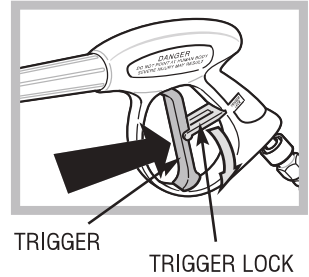
USAR LA PISTOLA

⚠ WARNING Para evitar la descarga accidental de limpieza de alta presión, el seguro del gatillo en el gatillo debe participar siempre que la lavadora a presión no está en uso.

Para desenganchar el seguro del gatillo, presione el cierre hacia abajo y en su posición original.

Para operar el gatillo:

1. Apriete el gatillo para iniciar el flujo de agua a través de la boquilla.
2. suelte el gatillo para detener el flujo de agua.



LAVAR/LIMPIAR

⚠ WARNING Algunas partes del motor pueden convertirse extremadamente calientes. No permita que la manguera de presión entre en contacto con el sistema de escape del motor que puede causar daños a la manguera.

1. Manguera pueden estallar y causar lesiones por inyección.
2. Firmemente la pistola agarre con las dos manos.
3. Apunte la boquilla hacia una dirección segura y apriete el gatillo de la pistola para que el proxeneta para purgar el aire y las impurezas en el sistema y luego redirigir la boquilla a la superficie de trabajo cuando haya terminado , suelte el gatillo de la pistola para detener el flujo de agua.



Sugerencias de uso:

Para una limpieza más efectiva, mantenga la boquilla de rociado de 8 a 24 pulgadas de distancia de la superficie de limpieza.

Si coloca la boquilla de rociado demasiado cerca podría dañar la superficie que se está limpiando.

No se acerca al menos de 6 pulgadas cuando esté limpiando llantas.

ADJUSTE DE PRESIÓN

Distancia increse: Para variar la presión sobre la superficie a limpiar, variar la distancia entre la lanza y la superficie a limpiar.

Cambio de la boquilla: Cerrado por completo la lavadora de presión y apague el motor de gasolina, cambiar la boquilla de rociado para la presión deseada (ver "seleccionar la boquilla correcta"). Motor de reinicio.

USO DE PRODUCTOS QUÍMICOS Y SOLVENTES DE LIMPIEZA

NOTE

Use solamente jabones y productos químicos diseñados para su uso con máquinas lavadoras a presión. **No utilice lejía CHLORING.**

productos químicos, jabones y disolventes de limpieza no se sifón cuando se utiliza una boquilla de alta presión. Utilize la boquilla química (negro).

Para enjuagar:

1. Sustituir la boquilla con una boquilla de alta presión adecuada (vea "Seleccionar la boquilla correcta "). apriete el gatillo y espere a que el detergente para limpiar.
2. Mantener la pistola de rociado a una distancia segura del área que planea rociar.
3. Aplique un rociado a alta presión en un área pequeña, y después revise si la superficie dañado . si no se encuentra ningún daño , es continuar con el trabajo de limpieza.
4. Comenzar en la parte superior del área que va a enjuagar, dirigiéndose hacia abajo con los mismos movimientos superpuestos que utilizó para el limpieza.

⚠ WARNING

Dejando a los productos químicos y soluciones de limpieza dentro de la bomba de presión podría dañarla. Daños creados por los jabones salen, productos químicos y productos de limpieza en el interior de la bomba pueden anular la garantía.

Consejos de limpieza:

Nunca utilice la entrada de agua de lavado a presión para desviar detergente o cera.

Si tiene la boquilla demasiado lejos de la superficie de ser lavado, la limpieza no será tan eficaz.

IMPORTANTE: No acercarse a menos de 6 pulgadas cuando esté limpiando.

CERRAR**⚠ WARNING**

Algunas partes del motor pueden alcanzar temperaturas muy altas. Si tiene la intención de desconectar la manguera de alta presión después de completar un lavado, no toque el sistema de escape del motor al desconectar la manguera de alta presión de la bomba.

1. Para parar el motor, ponga el interruptor del motor en el lado del motor en posición de OFF.
2. Deslice la palanca de la válvula del combustible a la izquierda para detener el flujo de combustible al motor.
3. Cierre el suministro de agua y desconecte la manguera de jardín a partir de la lavadora a presión.
4. Apriete el gatillo para descargar el agua que quede en el sistema.
5. Pistola tienda en el lado y mangueras dentro de la carcasa de la manguera en el interior del mango.

⚠ CAUTION

Nunca corte el suministro de agua con el motor en marcha. Esto hará que la bomba de presión se recaliente y se dañe interno. Limpieza a presión deberá almacenarse adecuadamente. Consulte las siguientes páginas para guardar correctamente.

MANTENIMIENTO

Mantenimiento regular mejorará preformance y prolongar la vida útil de la lavadora a presión. La garantía de la lavadora a presión no cubre los elementos que han sido sujetos a abuso o negligencia del operador. Sólo mediante el mantenimiento de la lavadora a presión, de acuerdo con las instrucciones de este manual, el valor total de la garantía será honrado.

Tendrán que hacerse periódicamente para mantener adecuadamente la lavadora

a presión algunos ajustes. Todos los servicios y ajustes deberán hacerse por lo menos una vez cada temporada. Es importante que el cuadro de mantenimiento a continuación se siguió.

TABLA DE MANTENIMIENTO DEL MOTOR

Frecuencia	Artículo	Cada tiempo	Cada mes o 20horas	Cada 3 meses o 50horas	Cada 6 meses o 100horas	Cada año o 300 horas
Aceite del motor	Revisa el nivel de aceite	✓				
	Sustituye				✓ *	
Filtro de aire	Revisa	✓				
	Limpia			✓	✓ *	
	sustituye					✓ *
Taza de depósito	limpia				✓	
Bujía	Limpia, ajuste				✓ * * * *	
	sustituye					✓ *
parachispas	limpia				✓	
Idling	Revisa, ajuste					✓ * *
juego de válvulas	Revisa, ajuste					✓ * *
Tanque de combustible	limpia					✓ * *
emisiones y la evaporación del sistema						✓ * *
línea de suministro de combustible	Revisa	Cada dos años(Sustituye si es necesario * *)				

* Recomienda a realizar con más frecuencia que en el horario en caso de operar en ambientes con polvo.

** Recomendada para ser realizado por un distribuidor autorizado.

* * * Ajuste la separación de aire a 0.6mm-0.7mm.

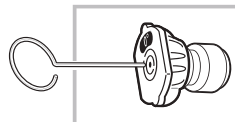
Revise el aceite de la bomba de presión:

La bomba de presión no necesita mantenimiento. Si observa algún signo de fuga de aceite en y alrededor de la bomba, no opere la lavadora a presión. Por favor llame a la línea de lavado a presión.

Limpiar la boquilla:

Si alguna de las boquillas se tapa con material extraño tal como suciedad, se podría desarrollar una presión excesiva. Siempre que la boquilla de presión se obstruye parcialmente, la presión de la bomba pulsará, se debe limpiar inmediatamente.

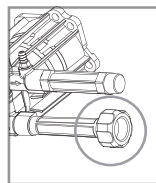
1. Hacer la lavadora a presión se apaga y el gatillo está bloqueado.
2. Retire la boquilla de alta presión de pulverización de la lanza. Utilizando la aguja de limpieza de boquillas (siempre), retire cualquier obstrucción mediante la inserción y moviendo cuidadosamente el pasador Backe y venir a través de retención de la boquilla con agua corriente limpia.
3. Después de la limpieza , retire la aguja de boquilla y almacenar para uso futuro.
4. Vuelva a montar la boquilla de presión para la lanza.



Limpieza de filtro de pantalla de entrada de agua:

El filtro de la rejilla de entrada de agua debe revisarse periódicamente y limpiarse si es necesario.

1. La manguera de entrada de agua de desconexión.
2. Retire el filtro agarrando extremo y tire hacia atrás.
3. Filtro lavando ambos lados con agua pantalla limpia.
4. Inserte filtro de pantalla al interior del puerto de entrada de agua.



WARNING no opere lavadora a presión sin el filtro de la pantalla en su lugar. Impurezas que entran en la bomba de presión pueden causar daños en el interior.

Limpiar lavadora de presión:

Inspecciones diarias o antes de su uso deben incluir las áreas alrededor y debajo de la lavadora a presión en busca de signos de combustible o fugas de aceite. Mantenimiento preventivo se debe tomar si se encuentran fugas. Limpiar los residuos acumulados desde el exterior y el interior de la lavadora a presión. Asegurar que todos los vínculos, los resortes y otros controles del motor se mantienen limpias. Inspeccione las ranuras de aire y aberturas en la lavadora a presión. Aperturas deberán mantenerse limpias y despejadas para el pico oerfirmance del limpiadora a presión.

Componentes del motor debe mantenerse limpia reducir el riesgo de sobrecalentamiento e ignición de los residuos acumulados.

- Utilice un paño húmedo para limpiar las superficies exteriores.
- Utilice un cepillo de cerdas suaves para aflojar la suciedad endurecida, aceite.
- Utilice una tienda de vacío para recoger la suciedad y residuos sueltos.

ALMACENAMIENTO

⚠ WARNING

Combustible y los vapores de combustible son extremadamente inflamables y explosivos. Incendio o explosión por el mal uso de combustible pueden causar quemaduras severas e incluso la muerte.



MOTOR

Combustible gasolina puede pasarse cuando es almacenada durante 30 días. El combustible pasado provoca residuos ácidos y de carbonilla en el circuito de combustible y partes cruciales del carburador. Para mantener fresco el combustible, agregue las tabletas de estabilizador de combustible para el depósito de combustible.

Gasolina drenaje es innecesario si el estabilizador de combustible se utiliza de acuerdo con las instrucciones que vienen con él funcionar el motor de lavado a presión durante un mínimo de dos minutos, después se añade estabilizador al combustible, para permitir que se circule por todo el motor. El motor y el combustible pueden ser almacenados hasta por 24 meses.

NOTE

NO guarde la gasolina de una temporada a otra a menos que ha sido tratada con un estabilizador de combustible.

Sustituir el contenedor de combustible, si el metal, y si comienza a oxidarse. El óxido y la suciedad y los desechos pueden contaminar el suministro y los componentes que resultan en un rendimiento inferior y / o daños internos en el motor de combustible. Combustible debe almacenarse en recipientes de almacenamiento de plástico aprobados nuevos.

Para proteger contra la formación de moho durante el almacenamiento el aceite del agujero de cilindro:

- Quite la bujía y vierta aproximadamente 1/2 oz (15 ml) de aceite de motor limpio en el cilindro.
- Instalar la bujía y tire de la cuerda de arranque lentamente para distribuir el aceite.
- Asegúrese de que el interruptor en el motor / OFF está en OFF. hale lentamente la cuerda de arranque de 2 a 3 veces para distribuir y cubrir el orificio del cilindro con aceite. NO arranque el motor en este momento.

⚠ WARNING

Un chispeo involuntario puede producir un incendio o una descarga eléctrica. La inobservancia de esta advertencia puede ocasionar daños severos a la propiedad , quemaduras graves e incluso la muerte.



Desconecte el cable de la bujía y la punta de la cubierta del cable de la bujía con cinta aislante y póngalo donde no pueda entrar en contacto con la bujía o el marco de la lavadora a presión.

BOMBA DE PRESIÓN

1. Drene toda el agua de la manguera de presión, bobina y guárdela en la base del mango de lavado a presión.
2. Drene toda el agua de la pistola y la lanza de boquilla sosteniendo la pistola en posición vertical con la boquilla apuntando hacia abajo. apriete el gatillo para eliminar los fluidos de la pistola y el tubo aplicador. almacenar en spray titular pistola / manguera.
3. Manguera de almacén de productos químicos , la manguera de alta presión y el tubo aplicador de modo que estén protegidos de daños, como ser atropellado. Se recomienda que siga estos pasos para proteger a los sellos internos de la lavadora a presión al almacenar la unidad por más de 30 días y / o cuando se esperan temperaturas bajo cero
1. Obtener un embudo, seis onzas de anticongelante y aproximadamente 36 pulgadas de la manguera de jardín con un conector de manguera macho en un extremo.

⚠ CAUTION

Utilice sólo anticongelante RV. Cualquier otro tipo de anticongelante es corrosivo y puede dañar la bomba de presión.

2. Conectar 36 pulgadas de largo de manguera de jardín a la entrada de agua de la bomba de presión.
3. Agregar anticongelante RV utilizando el embudo.
4. Asegúrese de que el interruptor en el motor ON/OFF está en OFF. Tire lentamente del cable del arrancador del motor varias veces hasta que el anticongelante salga por la conexión de la manguera de presión de la bomba de presión. No arrancar el motor en este momento.
5. Quite la manguera de entrada de agua de la bomba de presión.

LAVADORA DE PRESIÓN

1. Lavadora a presión tapa con una cubierta adecuada que no retenga la humedad, tal como un plástico o plástico recubierto de lona.
2. Almacena la lavadora de presión en un lugar limpio y seco.

⚠ WARNING

Determinadas cubiertas para almacenamiento pueden ser inflamables o pueden derretir en temperaturas más altas.
No coloque cubierta encima de la unidad de lavado a presión hasta que se haya enfriado por completo.

**PREPARACIÓN PARA EL USO DESPUÉS DE ALMACENAMIENTO**

1. Hale lentamente la cuerda de arranque varias veces para limpiar el aceite del cilindro o expulsar a cualquier anticongelante de la bomba que se añadieron antes de su almacenamiento.
2. Quitar la bujía del cilindro. limpie el aceite de la bujía y vuelva a ponerla en el cilindro y vuelva a apretar.
3. Vuelva a conectar el cable de la bujía.

GUÍA DE RESOLUCIÓN DE PROBLEMAS

PROBLEMA	CAUSA	CORRECCIÓN
El motor no arranca	Sin combustible	Agregue combustible
	Aceite bajo	Agregue la cantidad requerida de
	La presión se acumula después de jalar 2 veces el arrancador de	Apriete varias veces el gatillo de la pistola para liberar la presión
	La palanca del obturador no está en la posición de obturación	Mueva el obturador a la posición de obturación
	El alambre de la bujía no está	Coloque el alambre de la bujía
	El interruptor ON/OFF del motor está en la posición de	Cambie el interruptor ON/OFF a la posición de encendido(ON)
	La palanca del obturador está en la posición de obturación en un motor cliente o en un motor que ha sido expuesto a calentamiento t	Mueva el obturador a la posición NO CHOKE
	La válvula del combustible está cerrada	Mueva la palanca de la válvula del combustible a la posición abierta
Presión nula o muy baja(uso inicial)	La bayoneta no está en alta presión	Vea el párrafo del uso de la bayoneta en la sección de operación
	Suministro bajo de agua	El suministro de agua debe ser de por lo menos 5GPM a 20PSI
	Fuga en el accesorio de la	Apriete. Use cinta teflón si es
	Boquilla obstruida	Vea el párrafo de la bayoneta en la sección de mantenimiento para un
	Pantalla del filtro de agua tapada	Quite y limpie el filtro
	Válvula de arranque E-Z Aire en la manguera	Revise con un centro de servicio Apague el motor y luego la fuente de suministro de agua. Desconecte la fuente de suministro de agua de la entrada de la bomba y abra el suministro
Presión nula o muy baja(uso inicial)		Cuando el chorro de agua sea estable, cierre el suministro de agua.conecte nuevamente el suministro de agua a la entrada de Apriete varias veces el gatillo para sacar el aire remanente

	La palanca del obturador está en la posición de obturación	Mueva el obturador a la posición NO CHOKE
	La palanca de control del regulador no está en la posición rápida	Mueva la palanca de control del regulador a la posición rápida
No conduce químicos	La bayoneta no está en baja presión	vea el párrafo del uso de la bayoneta en la sección de operación
	El foltro de químicos está presión	Limpie el filtro
	El químico está demasiado espeso	Diluya el químico. La consistencia del químico debe ser igual a la del agua
Presión nula o muy baja(después de un periodo de uso normal)	Sello o empaque desgastado	Deben ser reemplazados por el centro de servicio autorizado
	Válvulas gastadas u obstruidas	Deben ser reemplazados por el centro de servicio autorizado
	Pistón de descarga desgastado	Deben ser reemplazados por el centro de servicio autorizado
	Válvula de arranque desgastada	Deben ser reemplazados por el centro de servicio autorizado
Fuga de agua en la conexión	O-ring roto o desgastado	Revise y cambie
	Conexión de la manguera está floja	apriete
Fuga de agua en la bomba	Conexiones flojas	apriete
	Los empaques del pistón están desgastados	Deben ser reemplazados por el centro de servicio autorizado
	o-rings rotos o desgastados	Deben ser reemplazados por el centro de servicio autorizado
	La cabeza o tubos de la bomba están dañados por congelamiento	Deben ser reemplazados por el centro de servicio autorizado

INFO GENERAL:

GAS	utilizar gasolina sin plomo fresca de alta calidad (mínimo añada estabilizador al tanque de combustible y el motor en marcha durante unos minutos antes de su
ACETE	aceite del motor : utilice únicamente SAE10W - 30 , el peso de 600 ml de aceite no detergente
Agua	use sólo agua fría no haga funcionar la lavadora a presión con la pantalla de filtro de agua obstruido o falta
	no operar lavadora a presión sin adecuado suministro de agua a la bomba de presión. suministro adecuado de agua
Ajuste de presión	ajuste de presión está ajustada de fábrica para bajar la presión , refiérase a la sección de ajuste de
BOMBA	apriete el gatillo cada 2 minutos mientras el motor está en no permita que el agua se congele en la bomba
by-pass modo	Nunca deje la unidad en marcha durante más de 2 minutos sin apretar el gatillo. hacerlo podría dañar la
válvula de alivio térmico	bomba está equipada con una válvula de alivio térmico . Si el agua se calienta en exceso, esta válvula se abre liberando chorro de agua. después, se cierra la válvula de
Manguera	no permita que las mangueras entren en contacto con el silenciador del motor durante o inmediatamente después no tire de la unidad de la manguera de presión
Motor	no ajuste o intente el mantenimiento sin consultar el manual del motor suministrado o con los ajustes añada estabilizador al tanque de combustible y dejar funcionar el motor durante 5 minutos antes de su encienda siempre el agua antes de arrancar el motor
jabón / productos químicos	use solamente jabones y detergentes químicos diseñados para uso en lavadoras a presión. utilizar la boquilla química (negro) con jabón / productos
Boquilla	mantener siempre boquillas obstrucciones . utilizar sólo la boquilla química al utilizar disolventes químicos
almacenamiento o acondicionamiento para el invierno	correr agua limpia a través de entrada de producto químico add stabilizer to any remaining fuel in fuel tank no permita que el agua se congele en la bomba de presión , pistola , el tubo aplicador o mangueras

ESPECIFICACIONES

Presión máxima	3200PSI
Flujo de agua	2.4GPM
Tipo de bomba	Axial
Tipo de motor	7.5HP/223CC OHV Motor
HP/RPM	7.5/3600
Desplazamiento	223CC
Combustible	0.95GAL
Manguera de presión	25FT
Sensor de bajo aceite	Sí
Válvula de alivio térmico	Sí

DECLARACIÓN DE GARANTÍA POR DEFECTOS DEL CONTROL DE EMISIONES DE ESTADOS UNIDOS

Conforme a las reglamentaciones de la EPA de EE. UU., A-iPOWER se complace en explicar la Garantía del sistema de control de emisiones de su modelo del año 2011-2012 y del posterior motor pequeño de uso fuera de carretera con encendido por chispa. En todas las áreas de Estados Unidos, su motor debe estar diseñado, construido y equipado para cumplir con los estándares de emisión CARB y de la EPA de Estados Unidos para motores pequeños de uso fuera de carretera encendidos por chispa de 19 kilovatios o menos.

A-iPOWER debe garantizar el sistema de control de emisiones de su motor por el período de tiempo indicado a continuación, siempre y cuando no exista abuso, negligencia o mantenimiento inadecuado de su motor pequeño de uso fuera de carretera con encendido por chispa. Cuando exista una condición cubierta por la garantía, A-iPOWER reparará su motor pequeño de uso fuera de carretera con encendido por chispa sin costo, con la inclusión del diagnóstico, las piezas y la mano de obra. Su sistema de control de emisiones incluye piezas como el carburador, el depurador de aire, el sistema de encendido, el silenciador y el convertor catalítico (si lo posee). También puede incluir mangueras, conectores y otros conjuntos relacionados con las emisiones.

COBERTURA DE GARANTÍA POR DEFECTOS EN EL CONTROL DE EMISIONES A-iPOWER

Los motores pequeños de uso fuera de carretera con encendido por chispa están garantizados con respecto a los defectos en las piezas del control de emisiones por un período de dos (1) años, sujeto a las disposiciones indicadas a continuación. Si las piezas relacionadas con las emisiones de su motor son defectuosas, las piezas serán reparadas o reemplazadas por A-iPOWER. El período de garantía comienza en la fecha en la que el producto es entregado al propietario inicial.

RESPONSABILIDAD DE GARANTÍA DEL PROPIETARIO

Como el propietario del motor pequeño de uso fuera de carretera con encendido por chispa, usted es responsable del mantenimiento necesario que se indica en el manual del usuario.

A-iPOWER recomienda que usted conserve todos los recibos que cubren el mantenimiento de su motor pequeño de uso fuera de carretera con encendido por chispa, pero A-iPOWER no puede negar la garantía únicamente por la falta de recibos o por su incumplimiento al garantizar el desempeño de todo el mantenimiento programado.

Como propietario de un motor pequeño de uso fuera de carretera con encendido por chispa, usted debe tener en cuenta que A-iPOWER puede negar la cobertura

de garantía si su motor pequeño de uso fuera de carretera con encendido por chispa, o una pieza de este, falla debido al abuso, negligencia, mantenimiento incorrecto o modificaciones no aprobadas.

Usted es responsable de presentar su motor pequeño de uso fuera de carretera con encendido por chispa a un centro de servicio autorizado tan pronto como surja un problema. Las reparaciones por garantía no objetadas deben completarse en un período de tiempo razonable, que no debe exceder los 30 días. Para obtener la ubicación de un centro de servicio autorizado y para realizar preguntas relacionadas con los derechos y responsabilidad de su garantía, debe comunicarse con nuestro grupo de soporte técnico y de piezas llamando al número gratuito 855-888-3598, de lunes a viernes de 8:00 a. m. a 5:00 p. m. de la zona horaria estándar del Pacífico.

La garantía de emisiones es una garantía por defectos, y los defectos se juzgan en relación con el funcionamiento normal del motor. La garantía no está relacionada con una prueba de emisiones en uso.

PIEZAS DEL SISTEMA DE CONTROL DE EMISIONES CON GARANTÍA

La cobertura de esta garantía se extiende solo a las piezas indicadas a continuación (las piezas del sistema de control de emisiones) en la medida en que estas piezas estuviesen presentes en el motor adquirido.

Sistema de medición de combustible Carburador o piezas internas Colector de admisión

Sistema por evaporación

Tanque de combustible, tapa de combustible y traba Sistema de inducción de aire Purificador de aire* Colector de admisión Sistema de escape Colector de escape Catalizador

Sistema de encendido Magneto de volante Conjunto de bobina de encendido Bujía de encendido*

Sistema de control de emisiones del cárter Respiradero de tubería del cárter.

Tapa de llenado de aceite Piezas misceláneas

Mangueras, sellos, juntas, conectores y conjuntos asociados con las piezas de la lista

Nota: *Cobertura solamente hasta el primer reemplazo necesario. Consulte el cronograma de mantenimiento en el Manual del propietario.

TÉRMINOS DE COBERTURA

A-iPOWER garantiza al propietario inicial y a cada usuario subsiguiente que el motor pequeño de uso fuera de carretera con encendido por chispa no posee defectos en los materiales y la mano de obra que puedan causar fallas en las piezas de emisiones con garantía por un período de dos (1) años luego de que el motor se entrega al comprador minorista original. La cobertura de la garantía debe extenderse a la falla de cualquier componente del motor provocada por la

falla de cualquier pieza con garantía aún bajo garantía.

LIMITACIONES

La garantía del sistema de control de emisiones NO cubre lo siguiente:

(a) Reparación o reemplazo necesario como resultado del mal uso o negligencia, mantenimiento incorrecto o modificaciones no aprobadas, reparaciones llevadas a cabo de forma incorrecta o reemplazo instalado de forma incorrecta, uso de piezas de repuesto o accesorios no aprobados y modificaciones no recomendadas por A-iPOWER.

(b) Las piezas de repuesto, otros servicios y los ajustes necesarios para el mantenimiento normal.

(c) El transporte desde y hacia el centro de servicio o concesionario autorizados.

RESPONSABILIDAD LIMITADA

La responsabilidad de A-iPOWER conforme a esta Garantía del sistema de control de emisiones está limitada únicamente a la reparación de defectos en los materiales o la mano de obra. Esta garantía no cubre los inconvenientes o la pérdida del equipo del motor pequeño de uso fuera de la carretera con encendido por chispa, o su transporte hasta un centro de servicio autorizado. A-iPOWER no se responsabilizará por cualquier otro gasto, pérdida o daño, así sea directo, incidental, indirecto (salvo indicado) o ejemplar que surja en relación con la venta o el uso, o la incapacidad de utilizar el equipo del motor pequeño de uso fuera de carretera con encendido por chispa para cualquier otro fin.

No se brinda ninguna garantía expresa del sistema de control de emisiones con respecto al motor, salvo la establecida específicamente en este documento. Toda garantía del sistema de control de emisiones implícita por ley, incluida cualquier garantía de comercialización o aptitud para un fin particular, está expresamente limitada a los términos de la garantía del sistema de control de emisiones establecidos en este documento.

POLÍTICA DE GARANTÍA LIMITADA DEL PROPIETARIO DEL HIDROLAVADORA A-iPOWER

GRACIAS POR ELEGIR EL HIDROLAVADORA A-iPOWER.

NUESTRA GARANTÍA

A-iPOWER reparará o reemplazará, a su criterio y sin costo, cualquier pieza que, luego de una evaluación, inspección y prueba realizada por A-iPOWER o un concesionario de servicio de garantía autorizado de A-iPOWER considere que posee mano de obra o materiales defectuosos, o ambos. Los costos de transporte del producto presentado para la reparación o el reemplazo conforme a esta garantía estarán a cargo del comprador. Conserve su recibo comprobante de compra. Si no brinda evidencia de la fecha de compra inicial, la fecha de envío del producto del fabricante se utilizará para determinar el comienzo del período de garantía.

TÉRMINOS DE LA GARANTÍA

Todos Las hidrolavadoras nuevos A-iPOWER adquiridos para el uso no comercial de un concesionario de Las hidrolavadoras A-iPOWER en América del Norte continental tendrán garantía contra defectos en el material o la mano de obra por un período de un años desde la fecha de compra, sujeto a las exclusiones indicadas en el presente. Las aplicaciones comerciales o de alquiler tienen una garantía de medio año. El período de garantía comienza en la fecha de compra del primer usuario final minorista y continúa por el período de duración de la garantía. La atención al cliente de A-iPOWER continuará suministrando los repuestos a pedido luego de pasado el período de garantía con cargo.

El "Uso del cliente" es el uso doméstico residencial llevado a cabo por el cliente minorista. El "Uso comercial" son todos los demás casos, inclusive el uso con fines comerciales, industriales o de alquiler. Una vez que el equipo ha sido sometido a uso comercial, su uso posterior se considera como uso comercial para los fines de la garantía.

CÓMO OBTENER EL SERVICIO DE LA GARANTÍA

Llame al número de teléfono de nuestra atención al cliente al 1- 855-888-3598 o envíe un correo electrónico a:

support@a-ipower.com para comunicarse primero con nuestro equipo de soporte en caso de que necesite el servicio. Prepare y brinde el número de modelo, el número de serie y el comprobante de compra cuando se comuniquen con nosotros o envíe una solicitud a:

A-iPOWER Corp.

1477 E. Cedar St. Unit B Ontario, CA 91761

EE.UU.

ACERCA DE SU GARANTÍA

Realizamos las reparaciones cubiertas por la garantía y nos disculpamos por los inconvenientes provocados. Cualquier concesionaria de servicio autorizada puede llevar a cabo las reparaciones cubiertas por la garantía. La mayor parte de las reparaciones cubiertas por la garantía se manejan de forma rutinaria, pero a veces las solicitudes para el servicio cubierto por la garantía pueden no ser apropiadas. Por ejemplo, el servicio cubierto por la garantía podría no aplicarse si el daño del equipo fue ocasionado por el mal uso, la falta de mantenimiento de rutina, el envío, la manipulación, el almacenamiento o la instalación incorrectas. De forma similar, la garantía se anula si la fecha de fabricación o el número de serie en el generador portátil se ha eliminado o si el equipo se ha alterado o modificado. Durante el período de garantía, el concesionario de servicio autorizado, a su criterio, reparará o reemplazará cualquier pieza que, luego de su evaluación, sea considerada defectuosa bajo el uso y el servicio normal. Esta garantía no cubrirá las siguientes reparaciones y equipo:

- USO REGULAR: El equipo eléctrico exterior, como con todos los dispositivos mecánicos, necesita el mantenimiento y reemplazo periódico de piezas para

funcionar como debe. Esta garantía no cubrirá la reparación cuando el uso normal ha agotado la vida útil de la pieza o del motor.

- **INSTALACIÓN Y MANTENIMIENTO:** Esta garantía no cubre los generadores o las piezas que han estado sujetos a armado, alteración, modificación o daño incorrectos o no autorizados debido a mal uso, negligencia, accidente, sobrecarga, exceso de velocidad, mantenimiento incorrecto, reparación o almacenamiento que, a nuestro juicio, afecta de forma adversa su rendimiento y confiabilidad. Esta garantía tampoco cubre el mantenimiento regular y las piezas como filtros de aire, ajustes, limpieza y obstrucciones del sistema de combustible (debido a químicos, suciedad, carbón, cal, etc.).

- **OTRAS EXCLUSIONES:** Esta garantía excluye las piezas desgastadas como anillos tóricos, filtros, etc., o el mal funcionamiento causado por accidentes, abuso, modificaciones, alteraciones, mantenimiento inadecuado, congelación o deterioro químico, y daños relacionados con roedores o plagas de insectos. Las piezas accesorias como las baterías de arranque, el conjunto de cables adaptadores del generador y las cubiertas de almacenamiento están excluidas de la garantía del producto. Esta garantía excluye el equipo usado, reacondicionado y para demostraciones, el equipo usado como fuente de energía primaria en lugar del servicio de electricidad, el equipo usado como servicio de asistencia vital, y las fallas por catástrofes naturales y otros eventos de fuerza mayor que exceden el control de los fabricantes como las colisiones, robo, vandalismo, huelgas o guerras, holocausto nuclear, incendio, congelamiento, rayos, terremotos, vendaval, granizo, erupción volcánica, agua o inundación, tornados y huracanes. La única responsabilidad de A-iPOWER será la reparación o el reemplazo de las piezas como se indica anteriormente y en ningún caso A-iPOWER será responsable de los daños incidentales o indirectos, incluso si dichos daños son resultado directo de la negligencia de A-iPOWER. Los costos de transporte inmediato o envío especial de repuestos o el trabajo de emergencia, fuera del horario laboral o durante feriados, estarán a cargo del comprador.

ESTA ES LA ÚNICA GARANTÍA EXPRESA DE NUESTROS PRODUCTOS

No asumimos ni autorizamos a nadie más a asumir otras garantías expresas. El distribuidor o concesionaria de A-iPOWER no posee autoridad para garantizar o realizar promesas a nombre de A-iPOWER o para modificar los términos o limitaciones de esta garantía en ninguna forma.

ESTA GARANTÍA LE BRINDA DERECHOS LEGALES ESPECÍFICOS. Y ES POSIBLE QUE USTED TAMBIÉN TENGA OTROS DERECHOS QUE VARÍAN DE ESTADO EN ESTADO.

FORMULARIO DE RECLAMO DE GARANTÍA DE A-iPOWER

www.a-ipower.com
support@a-ipower.com

Información principal

Uso interno

Marque una opción: Cliente Concesionario Servicio

¿Envío su credencial de garantía? Si no es así, se requiere una evidencia Sí No
de compra.

¿Ha tenido algún asunto relacionado con la garantía Sí No
previamente con la misma unidad?

Nombre: _____

Teléfono: _____

Dirección: _____

Ciudad, estado, código postal: _____

Fecha de la compra: _____ Lugar de la compra: _____

Número de serie

Color

Modelo

Número de reclamo

Número de registro

Descripción del problema

Acciones tomadas



1477 E. Cedar Street #B,
Ontario, CA 91761, U.S.A.
Phone: 626-888-3598
support@a-ipower.com
www. a-ipower.com