



OWNER'S MANUAL AND OPERATING INSTRUCTIONS

GASOLINE PRESSURE WASHER

2700 PSI, 2.3 GPM

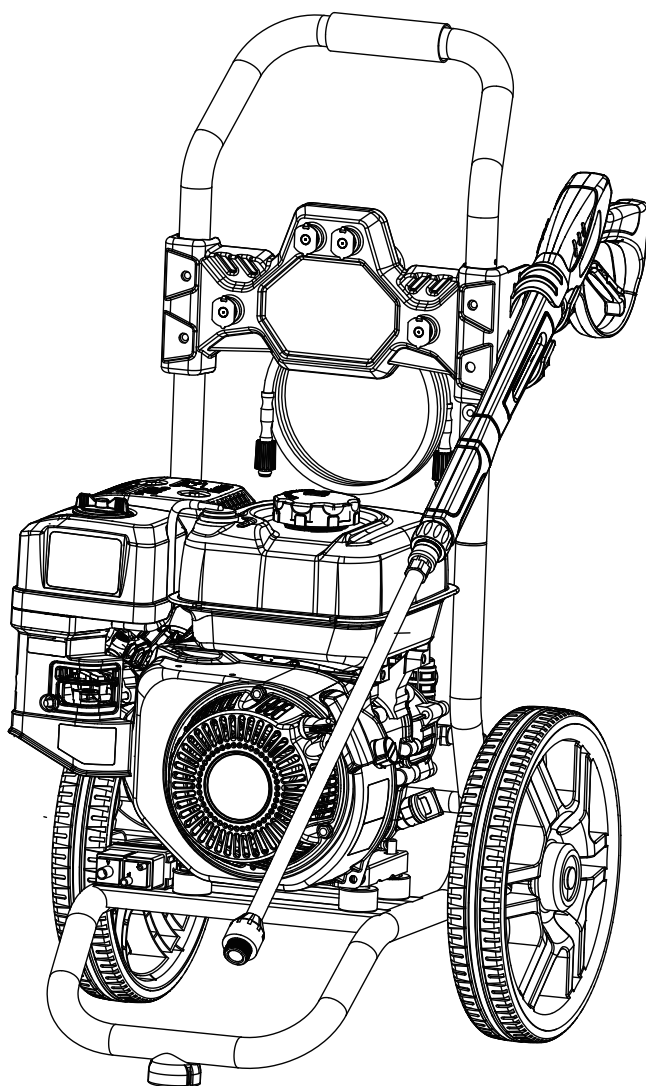
Model: PWF2701SH

CUSTOMER SERVICE: 1-855-888-3598

Visit Our Website at: www.a-ipower.com

Email Our Technical Support at:
support@a-ipower.com

NOTICE: Do not use E85 or E15 fuel in this product. It can damage the engine and void your warranty. Only use unleaded gasoline containing up to 10% ethanol.



A-iPower Corp.
Fontana, CA 92337 USA
www.a-ipower.com

 **WARNING:** SAVE THIS MANUAL FOR FUTURE REFERENCE



This manual contains important information regarding safety. Operation, maintenance and storage of this product. Before use, read carefully and understand all cautions, warnings, instructions and product labels. Failure to do so could result in serious personal injury and/or property damage.

TABLE OF CONTENTS

PRODUCT SPECIFICATIONS	1
SAFETY	
Safety Symbols And Meanings	2
Operating Instructions and Precautions	3
SET UP	
Know Your Pressure Washer	9
Assembly	10
General Information	11
OPERATION	
Pre-start Checks	13
Starting The Engine	15
Pressure Washer Operation	16
Stopping The Engine And Pressure Washer	19
High Altitude Operation	19
MAINTENANCE	
Engine Maintenance Schedule	20
Pump Maintenance	21
Cleaning Pressure Washer	21
Changing Engine Oil	21
Adding Engine Oil	22
Spark Plug Maintenance	22
Air Filter Maintenance	23
Long-term Storage	23
Trouble Shooting	25
PARTS LIST AND DIAGRAM	
General Assembly Diagram	29
General Parts List	30
WARRANTY	
AiPower Warranty	31

PRODUCT SPECIFICATIONS

1

PRESSURE WASHER SPECIFICATIONS

Model	PWF2701SH
Pump	Axial Maintenance Free
Drive	Vertical Shaft Direct
MAX Pressure	2700 PSI
MAX Flow	2.3 GPM
Hose	1/4 x 25' M22
Wand	24" x 1/4 Q/C
Nozzle Selection	Q/C 0°, 25°, 40°, Soap Nozzle

ENGINE SPECIFICATIONS


Model	AP168FB
Displacement	196cc
Engine Type	Single Cylinder 4-Stroke OHV
Cooling System	Air Cooled
Oil System	Splash lubrication
Fuel Type	87+ Octane Unleaded Gasoline
Fuel Capacity	0.95Gallon (3.6Liter)
Engine Oil Type	10W-30
Engine Oil Capacity	0.6 Quart (0.6 Liter)


NOTICE: We are always working to improve our products. Therefore, final product may vary from images shown. A-iPower reserves the right to change features, specifications without notice for further improvements of products.


FOR TECHNICAL QUESTIONS, PLEASE CALL 1-855-888-3598

This Operating Manual has been designed to instruct you on the correct operation of your A-I POWER product. Your satisfaction with this product and its safe operation is our ultimate concern. Therefore, please take the time to read the entire manual, especially the safety symbols and instructions. They will help you to avoid potential hazards that may exist when working with this product. Every effort has been made to ensure that information in this manual is accurate and current. However, we reserve the right to change, alter, or otherwise improve the product and this document at any time without prior notice.

Safety Symbols and Warnings:

 **DANGER:** indicates a hazard which, if not avoided, will result in death or serious injury.









 **CAUTION:** indicates a hazard which, if not avoided, could result in minor or moderate injury.









 **WARNING:** indicates a hazard which, if not avoided, could result in death or serious injury.

NOTICE: Indicates information, or addresses practices that are important, but not related to personal injury.

Safety symbols and their meanings:

The following symbols will appear in this manual and on the product. For safe use of this product, be sure to study them and know their meanings.

	Safety Alert
	Read Operators Manual
	Asphyxiation Hazard
	Eye Protection
	Hot Surface
	Fluid Injection
	Kickback
	Moving Parts

	Fire
	Explosion
	Electrical Shock
	Projectile
	Chemical Burns
	Electrical Hazard
	Slippery Surface
	Fall

Important Operation Instructions and Precautions:



DANGER: POISONOUS GAS HAZARD



Engine exhaust contains carbon monoxide, a poisonous gas that WILL kill you in minutes. You CANNOT smell it, see it, or taste it. Even if you do not smell exhaust fumes, you could still be exposed to carbon monoxide gas. Some chemicals or detergents could also be harmful if inhaled or ingested, resulting in death, serious injury, nausea, fainting or poisoning.

- Operate this product ONLY outside far away from windows, doors and vents to reduce the risk of carbon monoxide gas from accumulating and potentially being drawn towards occupied spaces.
- DO NOT run this product inside homes, garages, basements, crawlspaces, sheds, or other partially enclosed spaces, even if using fans or opening doors and windows for ventilation. Carbon monoxide can quickly build up in these spaces and can linger for hours, even after this product has been shut off.
- ALWAYS place this product downwind and point the engine exhaust away from occupied spaces.
- If you start to feel sick, dizzy, or weak while using this product, shut it off and get to fresh air RIGHT AWAY. See a doctor, as you may have carbon monoxide poisoning.

! DANGER:

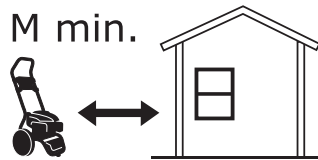
Using an internal combustion engine indoors,
WILL KILL YOU IN MINUTES.

Engine exhaust fumes contain carbon monoxide,
a poisonous gas you cannot see, smell or taste.



NEVER use in a home or partly enclosed area, such as garages.

1.5 M min.




ONLY use outdoors, and far from open windows, doors and vents.

Avoid other engines hazards. READ MANUAL BEFORE USE.

 WARNING: READ AND UNDERSTAND ALL SAFETY INSTRUCTIONS


- Keep guards in place and in working order. Never operate this product with any guard or cover removed. Make sure all guards are intact and operating properly before each use.
- Remove adjusting tools and wrenches. If any adjustments or maintenance has been performed, make sure that all tools and adjusting wrenches are removed from product before use.
- To reduce the risk of injury, keep all children and visitors away from product when in use. All visitors should wear safety glasses and be kept a safe distance from work area.
- Keep the work area clear of all persons, particularly small children, and pets.
- Use product for its intended use. Don't force product or attachment to do a job it was not designed for. Do not use it for a purpose not intended. Use only recommended accessories with this product. The use of improper and or modified accessories may cause risk of injury.
- Use proper clothing. Wear long pants and long sleeves. Do not wear loose clothing, neckties, or jewelry. They can get caught and draw you into moving parts. Rubber gloves and nonskid footwear are recommended when working outdoors. Do not operate the equipment while barefoot or when wearing sandals or similar lightweight footwear. Also wear protective hair covering to contain long hair.
- Always wear proper eye protection with side shields marked to comply with ANSI Z87.1. Following this rule will reduce the risk of serious personal injury.
- Do not overreach or stand on a ladder, rooftop, or other unstable support structure. Keep proper footing and balance at all times.
- Never leave product running unattended. Turn power off. Don't leave product until it comes to a complete stop.
- Keep the engine and pump free of grass, leaves, oil, or grease to reduce the chance of a fire hazard.
- Keep the exhaust outlet free of foreign objects.
- Be completely knowledgeable with product controls. Know how to stop the product and bleed pressure quickly.
- Stay alert and exercise control. Watch what you are doing at all times and use common sense. Do not operate tool when you are tired. Do not rush.
- Do not operate the product while under the influence of drugs, alcohol, or any medication.
- Check the work area before using product. Remove all objects such as rocks, broken glass, nails, wire, or string which can be thrown or become tangled in the product.
- Do not direct high pressure spray stream at any persons, animals and pets. Do not direct spray stream
- Never lift or carry the product or attempt to make adjustments while the engine is running or hot.
- Do not attempt to touch the spark plug or plug wire while the engine is running.
- Use only cold water with this product.
- For outdoor use only

 **WARNING:** Fire / Hot Surface Hazard



Exhaust could ignite combustibles, resulting in death or serious injury. Contact with muffler area could cause burns resulting in serious injury.

- DO NOT touch hot parts and AVOID hot exhaust gases.
- Allow equipment to cool before touching.
- Keep at least 5 feet (1.5 m) of clearance on all sides of pressure washer including overhead.
- It is a violation of California Public Resource Code, Section 4442, to use or operate the engine on any forest-covered, brush-covered, or grass-covered land unless the exhaust system is equipped with a spark arrester, as defined in Section 4442, maintained in effective working order. Other states or federal jurisdictions may have similar laws. Contact the original equipment manufacturer, retailer, or dealer to obtain a spark arrester designed for the exhaust system installed on this engine.
- Replacement part must be the same and installed in the same position as the original .

 **WARNING:** Slip or Fall Hazard



Use of pressure washer could create slippery surfaces causing you to fall resulting in death or serious injury.

- Kickback from spray gun could cause you to fall resulting in death or serious injury.
- Operate pressure washer from a stable surface.
- The cleaning area should have adequate slopes and drainage to reduce the possibility of a fall due to slippery surfaces.
- Be extremely careful if you must use the pressure washer from a ladder, scaffolding, or any other similar location.
- Firmly grasp spray gun with both hands when using high pressure spray to avoid injury when spray gun kicks back.

 **WARNING:** Kickback Hazard



Starter cord kickback (rapid retraction) will pull hand and arm toward engine faster than you can let go, which could cause fractures, bruises, or sprains resulting in serious injury.

- NEVER pull starter cord without first relieving spray gun pressure.
- When starting engine, pull cord slowly until resistance is felt and then pull rapidly to avoid kickback.
- After each starting attempt, where engine fails to run, always point spray gun in safe direction, disengage trigger lock and squeeze spray gun trigger to release high pressure.
- Firmly grasp spray gun with both hands when using high pressure spray to avoid injury when spray gun kicks back.

 **WARNING:** Fire / Explosion Hazard



Fuel and its vapors are extremely flammable and explosive which could cause burns, fire or explosion resulting in death or serious injury.

Risk of fire and serious burns: Never remove fuel cap when unit is running. Shut off engine and allow the unit to cool at least five minutes. Remove cap slowly.

WHEN ADDING OR DRAINING FUEL

- Turn pressure washer engine OFF and let it cool at least 2 minutes before removing fuel cap. Loosen cap slowly to relieve any pressure remaining in tank.
- Fill or drain fuel tank outdoors.
- DO NOT overfill tank. Allow space for fuel expansion.
- If fuel spills, wait until it evaporates before starting engine.
- Keep fuel away from sparks, open flames, pilot lights, heat, and other ignition sources.
- Check fuel lines, tank, cap and fittings frequently for cracks or leaks. Replace if necessary.
- DO NOT light a cigarette or smoke.

WHEN STARTING EQUIPMENT

- Ensure spark plug, muffler, fuel cap, and air filter are in place.
- DO NOT crank engine with spark plug removed.

WHEN OPERATING EQUIPMENT


- DO NOT operate this product inside any building, carport, porch, mobile equipment, marine applications, or enclosure.
- DO NOT tip engine or equipment at angle which causes fuel to spill.
- DO NOT spray flammable liquids.

WHEN TRANSPORTING, MOVING OR REPAIRING EQUIPMENT

- Transport/move/repair with fuel tank EMPTY or with fuel shutoff valve OFF.
- DO NOT tip engine or equipment at angle which causes fuel to spill.
- Disconnect spark plug wire.

WHEN STORING FUEL OR EQUIPMENT WITH FUEL IN TANK

Store away from furnaces, stoves, water heaters, clothes dryers, or other appliances that have pilot light or other ignition source because they could ignite fuel vapors.

 **WARNING:** Fire and Electrical Shock



Unintentional sparking could cause fire or electric shock, resulting in death or serious injury.

WHEN ADJUSTING OR MAKING REPAIRS TO YOUR PRESSURE WASHER

- Disconnect the spark plug wire from the spark plug and place the wire where it cannot contact spark plug.

WHEN TESTING FOR ENGINE SPARK

- Use approved spark plug tester.
- DO NOT check for spark with spark plug removed.

 **WARNING:** Fluid Injection



The high-pressure water that this equipment produces could cut through skin and its underlying tissues, resulting in serious injury and possible amputation.


- Spray gun traps high water pressure, even when engine is stopped and water is disconnected, which could result in serious injury.
- If cut by fluid, call physician immediately. DO NOT treat as a simple cut.
- DO NOT allow CHILDREN to operate pressure washer.
- NEVER repair high pressure hose. Replace it.
- NEVER repair leaking connections with sealant of any kind. Replace o-ring or seal.
- NEVER connect high pressure hose to nozzle extension.
- Keep high pressure hose connected to pump and spray gun while system is pressurized.
- ALWAYS point spray gun in safe direction, disengage trigger lock and squeeze spray gun trigger to release high pressure, every time you stop engine.
- NEVER aim spray gun at people, animals, or plants.
- DO NOT secure spray gun in open position.
- DO NOT leave spray gun unattended while machine is running.
- NEVER use a spray gun which does not have a trigger lock or trigger guard in place and in working order.
- Always be certain spray gun, nozzles and accessories are correctly attached.

 **WARNING:** Moving parts hazard



Starter and other rotating parts could entangle hands, hair, clothing or accessories, resulting in serious injury.

- NEVER operate pressure washer without protective housing or covers.
- DO NOT wear loose clothing, jewelry or anything that could be caught in the starter or other rotating parts.
- Tie up long hair and remove jewelry.

 **WARNING:** Projectile hazard



Risk of eye or bodily injury. Spray could splash back or propel objects resulting in serious injury.

- Always wear safety goggles marked to comply with ANSI Z87.1 when using or in vicinity of this equipment.
- Always wear protective clothing such as a long-sleeved shirt, long pants and close-toed shoes.
- NEVER operate pressure washer when barefoot or wearing sandals.

 **CAUTION:** Engine Speed

Excessively high operating speeds could result in minor injury. Excessively low speeds impose a heavy load on engine.

- DO NOT tamper with governor spring, links or other parts to increase engine speed. Pressure washer supplies correct rated pressure and flow when running at governed speed.
- DO NOT modify pressure washer in any way.

! WARNING: Electrical Shock

Contact with power source could cause electric shock or burn resulting in death or serious injury.

- Never spray at or near an electric power source.

! WARNING: Chemical Burn

Chemicals could cause burns resulting in death or serious injury.

- DO NOT use caustic liquid with pressure washer.
- Use ONLY pressure washer safe detergents/soaps. Follow all manufacturer's instructions.

! WARNING: California Proposition 65

This product can expose you to chemicals including lead, which is known to the State of California to cause cancer. For more information, go to www.P65Warnings.ca.gov

NOTICE: For additional information regarding the parts listed in the following pages, refer to:

- PARTS LIST AND DIAGRAM on Page 29.

NOTICE: High pressure spray could damage fragile items including glass.

- DO NOT point spray gun at glass when using red (0°) nozzle.
- NEVER aim spray gun at plants.

NOTICE: Improper treatment of pressure washer could damage it and shorten its life. If you have questions about intended use, contact our service center at 1-855-888-3598.

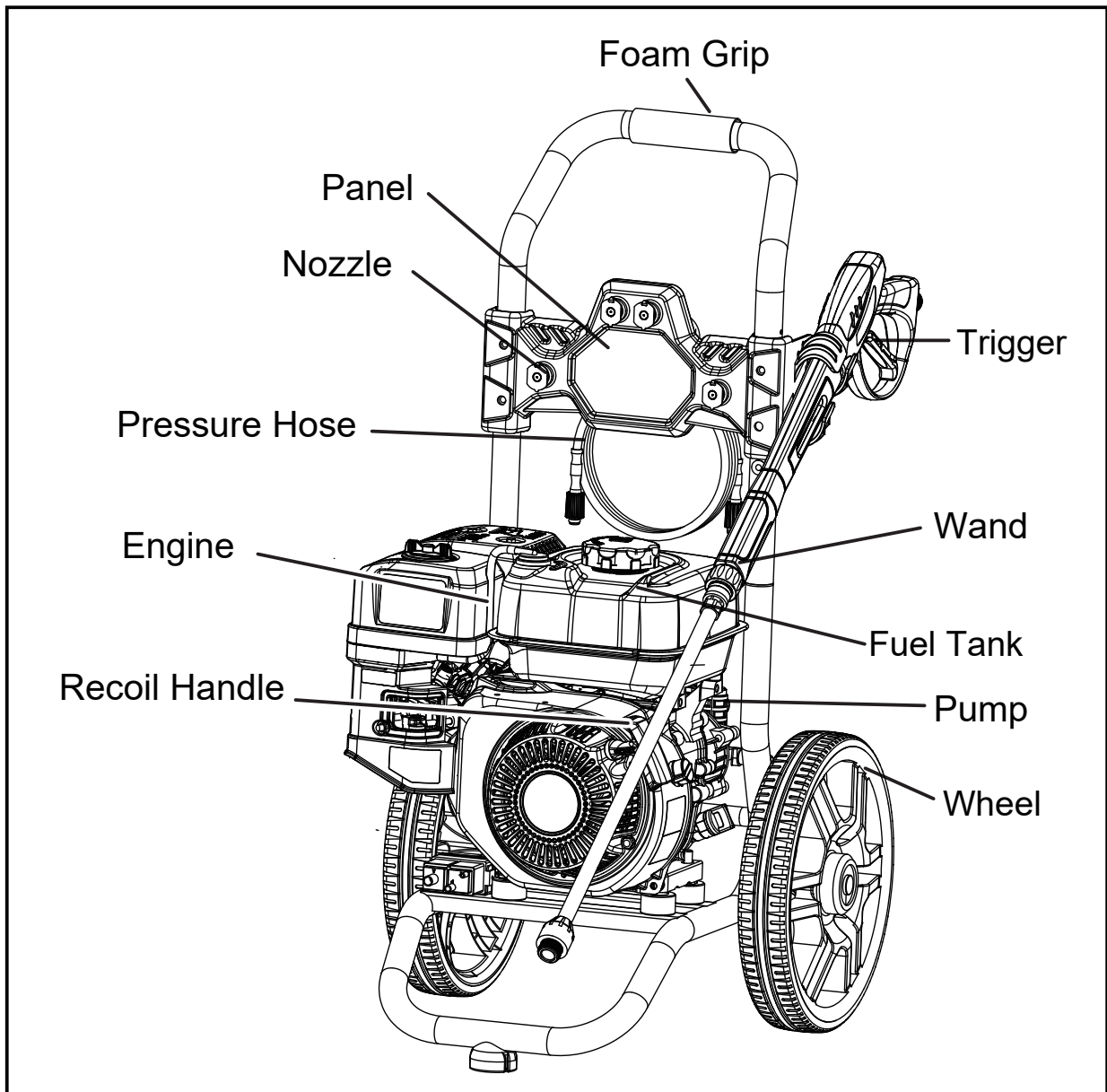
- NEVER operate units with broken or missing parts, or without protective housing or covers.
- DO NOT by-pass any safety device on this machine.
- DO NOT tamper with governed speed.
- DO NOT operate pressure washer above rated pressure.
- DO NOT modify pressure washer in any way.
- Before starting pressure washer in cold weather, check all parts of the equipment to be sure ice has not formed there.
- NEVER move machine by pulling on hoses. Use handle provided on unit.
- This equipment is designed to be used with A-iPower authorized parts ONLY. If equipment is used with parts that DO NOT comply with minimum specifications, user assumes all risks and liabilities.

⚠ CAUTION: Read Manual



Read the entire SAFETY section at the beginning of this manual including all text under subheadings therein before set-up or use of this product.

Know your Pressure Washer



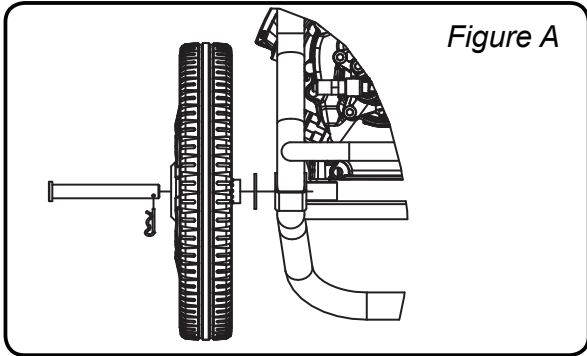
ACCESSORIES INCLUDED:

- 0.6 Quart of oil
- Owner's Manual
- Nozzle Cleaning needle

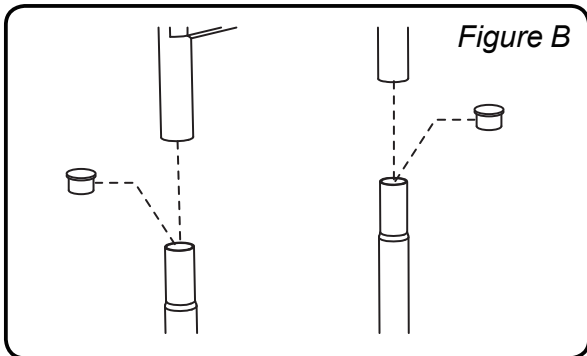
FOR TECHNICAL QUESTIONS, PLEASE CALL 1-855-888-3598

ASSEMBLY:

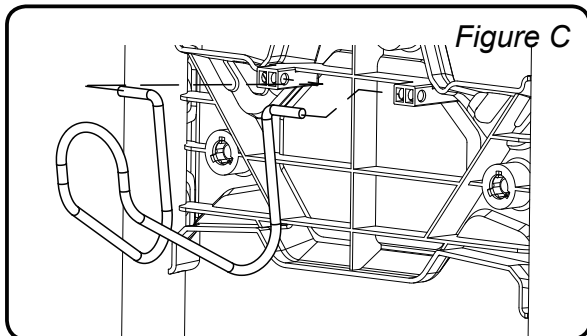
1. Insert the axle through the wheel, flat washer and frame sleeve in turn, then insert the pin lock clamp through the hole on the axle. See Figure A.



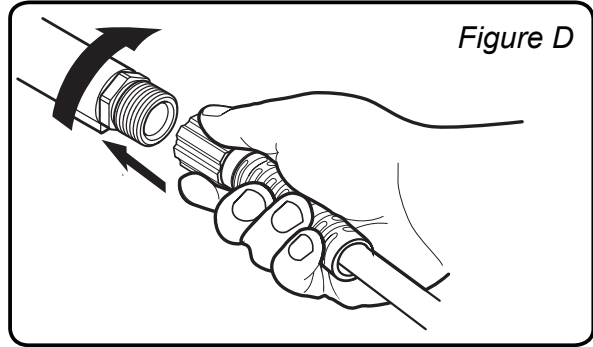
2. Take out the End Cap in the Frame, attach the Handle on to the Frame by inserting the clip. See Figure B.



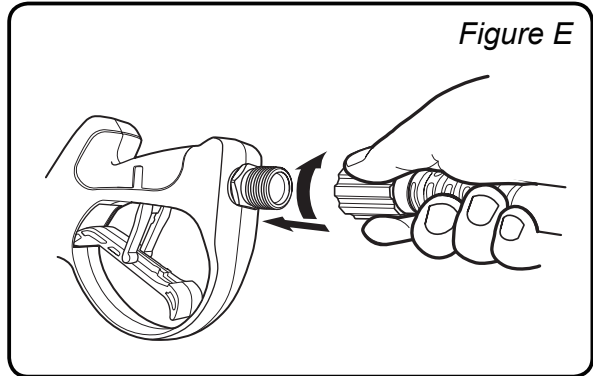
3. Attach the hose Holder to the Panel. See Figure C.



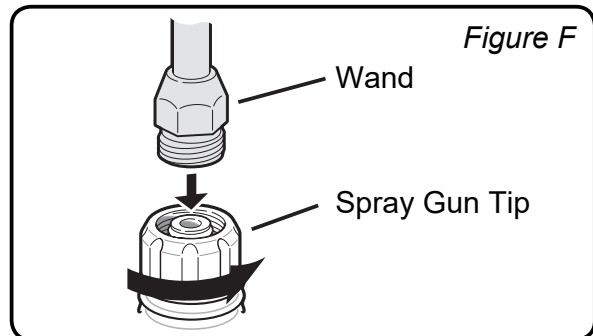
4. Connect the Pressure Hose to the Pump outlet fitting and tighten the nut firmly by hand, DO NOT use any tool to tighten. See Figure D.



5. Connect the Pressure Hose to the handle of the Spray Gun and tighten the nut firmly by hand. See Figure E.

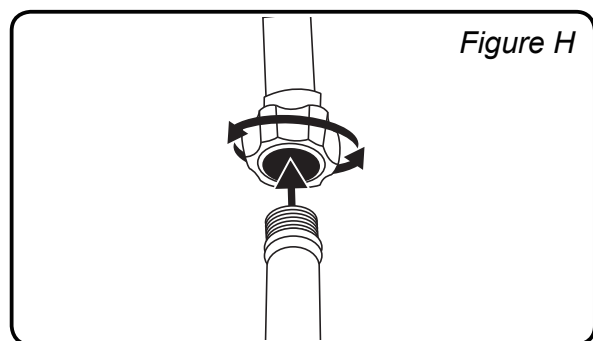
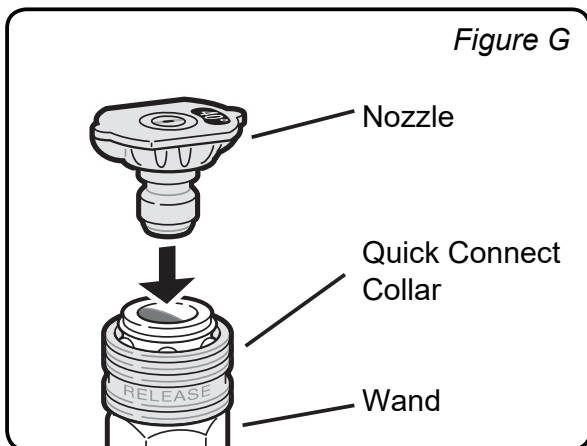


6. Remove the protective cap on the Wand inlet. Insert the Wand into the Spray Gun tip and tighten the nut firmly by hand. See Figure F



7. Attach the Nozzle to the Wand by pulling back the quick connect collar and pushing the Nozzle onto the end of the Wand. Make sure the quick connect collar locks the Nozzle in place. See Figure G.

8. Connect the water supply hose to the water inlet connection on the Pump and tighten the Inlet Fitting firmly by hand. See Figure H.
The water source must be able to provide a minimum of five gallons of clean, cold water per minute at 20PSI. Only use a 5/8" inner diameter, or larger hose that is rated to meet this capacity.




GENERAL INFORMATION:

Fuel	Use fresh high-quality unleaded gasoline (minimum 87 octane), containing up to 10% ethanol. Do not use fuel with high ethanol content; E15 or E85.
Oil	Engine oil: Use only SAE 1 0W-30, 0.6 Quart non-detergent oil (supplied). Pump Oil: The pump was lubricated and sealed at the factory, and is maintenance free for the life of the product, under normal operation. Do not attempt to change or add oil to the pump. If the pump is leaking oil, please call our customer service department at 1-855-888-3598.
Water	Use only cold water. Do not operate pressure washer with clogged or missing water inlet filter screen. Do not operate pressure washer without adequate water supply.
Pressure Adjustment	Pressure setting is pre-set at factory. For lowering pressure, refer to "Pressure Adjustment" on Page 18.

GENERAL INFORMATION:

High Pressure Pump	<p>There are no serviceable parts to the high-pressure pump. Do not attempt to repair or service the pump, as you may damage it and void your warranty. If you feel that the pump needs service, please call our customer service department at 1-855-888-3598.</p> <p>Do not allow water to freeze in pump. If product is stored in an area that will have temperatures of below 32° F, 0°C, make sure all water is removed from the pump, or a suitable pump protection product has been used. Failure to protect the pump from cold temperatures will cause damage and possibly void your warranty.</p>
By-pass Mode	<p>When you release the trigger of the gun, the pump goes into bypass mode. It is good practice to never let the pump run in bypass mode for more than 2 minutes. Damage to pump could be possible.</p>
Thermal Relief Valve	<p>Pump is equipped with a thermal relief valve. If during bypass mode the water overheats, this valve opens releasing the hot water and letting new cool water enter the pump. Afterwards, the valve closes returning pump to normal operation. Caution, the valve opens with no warning, and the water will be hot. Possible injury can occur. Always keep hands and feet away from thermal relief valve.</p>
High Pressure Hose	<p>Do not allow hoses to come in contact with engine muffler during use or immediately after use.</p> <p>DO NOT attempt to move unit by pulling on high-pressure hose.</p>
Engine	<p>Do not adjust or attempt maintenance without reading owner’s manual or consulting our Customer Service at 1-855-888-3598. Add fuel stabilizer (not supplied) to fuel tank and let engine run for 5 minutes before storage. Always turn on water before starting engine.</p>
Soap / Chemicals	<p>Use only soaps and chemicals detergents designed for pressure washer use. Always follow detergent manufacturer’s instructions on their container. DO NOT use bleach, acid, any flammable materials, or industrial solvents.</p>
Nozzle	<p>Always keep nozzles clean and unclogged. Use the nozzle needle to clean if clogged. Use ONLY detergent nozzle (black) when using chemical and cleaning solvents.</p>
Storage / Winterizing	<p>Run clean water through chemical tank / inlet to clear any residual detergent. Add stabilizer to any remaining fuel in fuel tank. See ENGINE section above. Do not allow water to freeze in pressure pump, spray gun, spray wand or hoses.</p>

CAUTION: Read Manual

 Read the entire SAFETY and SET UP sections at the beginning of this manual including all text under subheadings therein before operation of this product. Improper use or treatment of Pressure Washer can damage internal components and shorten the life of unit. Failure to follow this warning will void warranty.

Pre-Start Checks

Inspect engine and equipment looking for damaged, loose and missing parts before setting up and starting. If any problems are found, do not use equipment until fixed properly. Please call our customer service at 1-855-888-3598.

NOTICE: Your Warranty is VOID if the engine’s crankcase is not properly filled with oil before each use. Before each use, check the oil level. Your engine may be equipped with a low-oil shutdown feature. If so equipped, the engine will not start with low or no engine oil in the crankcase.

1. Adding Engine Oil

- | | |
|--|---|
| <ul style="list-style-type: none"> 1.1 Move the Pressure Washer OUTSIDE and place on a flat and level surface. 1.2 Make sure the engine is stopped, cool and is level. 1.3 Close the Fuel Valve. 1.4 Clean the top of the Dipstick and the area around it. Remove the Dipstick by turning it counterclockwise, and wipe it off with a clean, lint free rag. 1.5 Place a funnel in the oil reservoir. 1.6 Pour engine oil (SAE 1 0W-30 is recommended for general use). | <ul style="list-style-type: none"> DO NOT overfill. Consult the separate engine manufacturers manual if available. <i>See figure A</i> 1.7 Reinsert the Dipstick without threading it in and remove it again to check the oil level. The oil level should be up to the full level as shown above. 1.8 If the oil level is at or below the low mark, add the appropriate type of oil until the oil level is at the proper level. (The SAE Viscosity Grade Chart on page ?? in the MAINTENANCE section shows other viscosities to use in different average temperatures.) 1.9 Replace the dipstick and fully tighten. |
|--|---|

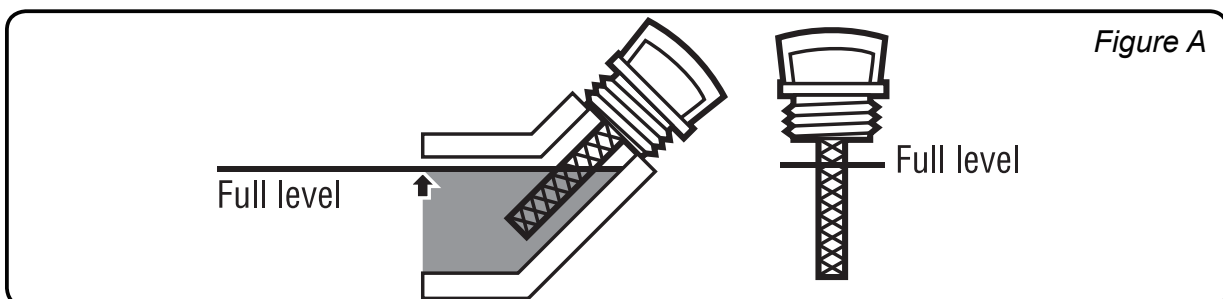



Figure A

Pre-Start Checks (Continued)

 **WARNING:** Fire / Explosion Hazard



Fuel and fuel vapor are extremely flammable and explosive. Fire or explosion from misuse of fuel can cause severe burns and even death.

- Fill the fuel tank in a well-ventilated area away from ignition sources. If the engine is hot from use, shut the engine off and wait for it to cool before adding fuel.
- Do not smoke near open fuel tank or container.
- Failure to use fuel as recommended in this manual will void the warranty.

NOTICE: Do not use gasoline that has been stored in a dirty fuel container. It can cause particles to enter the carburetor, affecting engine performance and / or causing damage. Be sure the fuel tank strainer is clean and in place before adding fuel to tank.

2. Adding Fuel


- | | |
|--|---|
| 2.1 Move the Pressure Washer OUTSIDE of any building, or partially enclosed structure, and place on a flat and level surface. | 2.5 If needed, fill the Fuel Tank to about 1 inch under the fill neck of the Fuel Tank with 87 octane or higher unleaded gasoline that has been treated with a fuel stabilizer additive. Follow fuel stabilizer manufacturer's recommendations for use. |
| 2.2 Clean the Fuel Cap and the area around it before removing. | |
| 2.3 Make sure Pressure Washer is OFF and let it cool for at least two minutes before removing fuel cap. Unscrew slowly to release any built-up pressure and remove the Fuel Cap. | 2.6 Replace the Fuel Cap, making sure it is tight and sealed. |
| 2.4 Remove the Strainer and remove any dirt and debris. Then replace the Strainer. | 2.7 Wipe up any spilled fuel and allow excess to evaporate before starting engine. To prevent FIRE, do not start the engine while the smell of fuel hangs in the air. |

NOTICE: When adding fuel to pressure washer, observe the following:

- DO NOT use unapproved gasoline such as E15 or E85 (15% ethanol, 85% ethanol).
- This is a four-cycle engine, DO NOT mix oil with gasoline.
- DO NOT modify engine to run on alternate fuels. Any modifications to the engine will void your warranty.

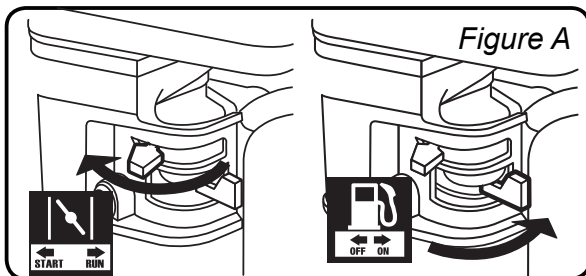
Starting the Engine

CAUTION: Read Manual

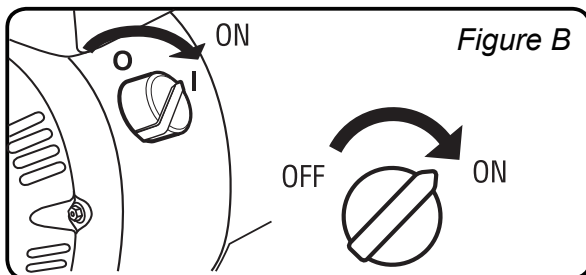
 Read the entire Pre-Start Checks section of this manual before attempting to start the engine. Be sure to inspect the equipment and engine for any missing or loose guards or parts. Check both the fuel and oil levels of the engine before starting.

- Turn fuel valve to open, if so equipped.
- Turn on water supply, remove nozzle, point wand in safe direction, and hold down trigger until all air is released from the system, at least 30 seconds.
- Then release the trigger, lock it in the safety position and replace nozzle before starting engine.
- Do not let the Starter Handle snap back against the engine housing.
- If starter handle become difficult to pull, release pressure in the hose by squeezing the trigger on the gun.

1. To start a cold engine, move the Choke to the **START** position. To restart a warm engine, leave the Choke in the **RUN** position. Move the Fuel Valve to the **ON** position. See *Figure A*.

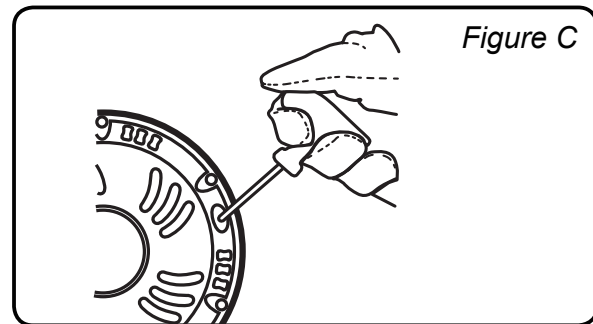


2. Turn the Engine Switch to the on or I position. See *Figure B*.

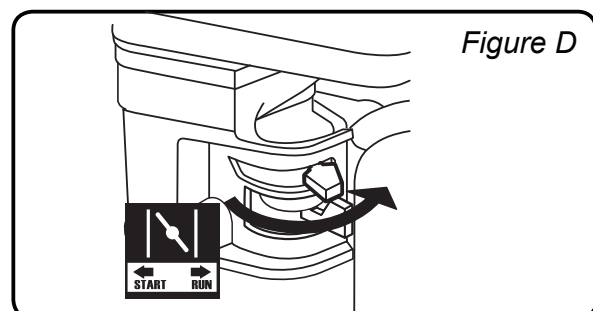


NOTICE: If engine does not start, check engine oil level. If equipped with low oil shutdown, the engine will not start with low or no engine oil. If oil is low, see **ADDING ENGINE OIL** section earlier in this manual.

3. Grip the Starter Handle of the Engine loosely and pull it slowly two times to allow the gasoline to flow into the Engine's carburetor. Then pull the Starter Handle gently until resistance is felt, then pull it quickly to start. Repeat until the engine starts. See *Figure C*



4. Allow the Engine to run for several seconds. Then, if the Choke lever is in the **START** position, move the Choke Lever very slowly to its **RUN** position. See *Figure D*



Pressure Washer Operation

 **WARNING:** Eye protection / Fluid Injection hazard



ALWAYS wear approved safety glasses when operating Pressure Washers. Spray can splash back or propel objects, including incorrectly attached accessories. The high-pressure stream of water that this equipment produces can cut through skin and its underlying tissues, leading to possible amputation. The spray gun traps high water pressure, even when the motor is stopped and water source is disconnected, which can cause injury.

- Do not direct spray from the Pressure Washer at any persons or animals.
- Keep children and pets away from the work area.
- Keep work area clean of loose rocks, glass and debris.
- The high pressure water stream could cause serious injury.

 **WARNING:** Asphyxiation Hazard



Use the Pressure Washer only outside in a fully ventilated area.

- Operate this product ONLY outside far away from windows, doors and vents.
- DO NOT run this product inside homes, garages, basements, crawlspaces, or sheds.
- ALWAYS place this product downwind and point the engine exhaust away from occupied spaces.
- If you start to feel sick, dizzy, or weak while using this product, shut it off and get to fresh air RIGHT AWAY. See a doctor, as you may have carbon monoxide poisoning.

1. Selecting the Right Nozzle for the job.

Your product is supplied with a selection of quick connect nozzle tips. The nozzles are sized specifically to give you maximum pressure at all times. Each nozzle is marked and rated in degrees of fan. They are also color coded (see chart on opposite page). The higher the number of the fan degree, the wider the fan pattern is. The tighter the spray fan the more impact on the surface, which is good for cleaning

tough jobs. The wider the spray fan, the more spread out the impact on the surface, so they are better for easy jobs, or soft surfaces. Finding the correct nozzle for the job at hand make take some experimenting. Always start with the widest fan degree and continue to the lower degree fans until the best work result is achieved. Always test the nozzle on an area that is not noticeable.

NOTICE: Not all models come with all nozzles described in this section. Use only the information pertaining to the nozzles supplied with your product.
(Nozzle selection Chart)

					HI PRESSURE, NO SOAP INJECTION				SOAP
					0° RED	25° GREEN	40° WHITE	65° BLACK	65° BLACK
0°	✓								
25°	✓	✓	✓						
40°	✓	✓	✓	✓					
65°	✓	✓	✓	✓					
					AGGRESSIVE				GENTLE

0° Nozzle - Red: This nozzle delivers a pinpoint stream of pressurized water and is extremely powerful. Use it for the toughest cleaning jobs, although It covers only a small area. This nozzle should only be directed at surfaces that can withstand intense high pressure such as metal or concrete. Do not use this nozzle to clean wood or soft surfaces.

25° Nozzle - Green: This nozzle delivers a 25-degree spray pattern for general tasks. It should only be used on surfaces that can withstand pressure from this nozzle.

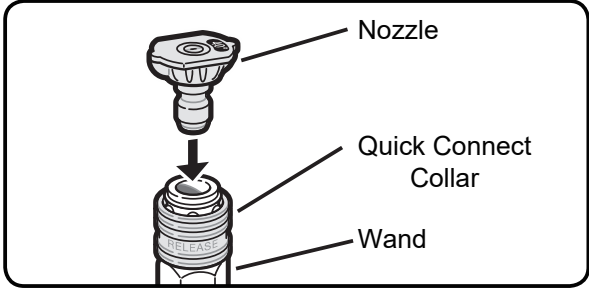
40° Nozzle – White: This nozzle delivers a 40-degree spray pattern for easily damaged surfaces. It should only be used on surfaces that can withstand pressure from this nozzle.

65° Chemical Nozzle - Black: This nozzle is used to apply special chemicals and cleaning solutions. This nozzle produces the weakest pressure stream of the nozzles.

2. Connecting Nozzle to Spray Wand.

- ⚠ WARNING:**
- Never place hands in front of nozzle, or point nozzle at your face.
 - Never attempt to clean a clogged nozzle while attached to the wand.
 - Never attempt to attach or remove spray wand or hose fittings while Pressure Washer system is pressurized.
 - Turn off Pressure Washer. While pointing spray in a safe direction, release pressure by squeezing trigger. Then lock the Gun Trigger before attempting to change pressure nozzles.

- 2.1 To attach, pull quick connect collar back, insert nozzle into female quick-disconnect spray wand and press to lock in place. Make sure collar snaps into place.
- 2.2 To detach, pull quick connect collar back and pull nozzle to remove.



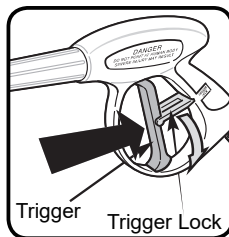
3. Using the Spray Gun.

⚠ WARNING:

- To prevent accidental discharge of high-pressure washer, the trigger lock on the trigger should be engaged whenever the pressure washer is not in use.
- To disengage the Trigger Lock, push the lock down and into its original position.

To Operate the Trigger:

- 3.1 Squeeze the trigger to start water flow through the nozzle.
- 3.2 Release the trigger to stop water flow.



⚠ WARNING: Hot Surface / Fluid Injection hazard



SOME ENGINE PARTS CAN BECOME EXTREMELY HOT.

Do not allow the pressure hose to come in contact with engine exhaust system which can cause damage to the hose. Damaged hoses can burst and can cause injection injuries.

4. Washing/ Cleaning.

- 4.1 Firmly grip spray gun with both hands.
- 4.2 Start with a high degree fan Nozzle, and gradually use lower unit the nozzle meets the task.
- 4.3 Point the nozzle to a safe direction and squeeze the spray gun trigger to allow the pump to purge air and impurities in the system and then redirect the nozzle to the working surface.
- 4.4 Clean vertical and sloped surfaces from the top down.
- 4.5 When cleaning horizontal surfaces, occasionally use the stream to clear the area of excess water.

- 4.6 For most effective cleaning, keep spray nozzle from 8 to 24 inches away from cleaning surface. If you get spray nozzle too close, you may damage surface being cleaned. It is not recommended to get closer than 6 inches when cleaning tires.

5. Pressure Adjustment

- 5.1 Vary your distance: To change the effect of the pressure on the surface being cleaned, vary the distance between spray nozzle and the surface being cleaned. The closer to the surface the higher the effect of the pressure. As you pull away from the surface, the pressure effect will reduce. For most effective cleaning, keep the nozzle between 8 to 24 inches from surface being cleaned

6. Using Chemicals

NOTICE: Use only soaps and chemicals designed for use with a Pressure Washer. **DO NOT USE CHLORINE BLEACH, ACIDS OR INDUSTRIAL SOLVENTS.** Chemicals, soaps and cleaning solvents will not siphon when a high-pressure nozzle is used. Only use the Black (low pressure) Nozzle when spraying detergents. Fill Detergent Tank (if so equipped) with prepared detergent solution and close the cap. The Pressure Washer will draw one gallon of detergent for every seven gallons of water.

- 6.1 If your Pressure Washer is equipped with an on board soap tank:
- 6.2 Fill the soap tank with detergent and close the lid.
- 6.3 Change the nozzle in the wand to Black Nozzle
- 6.4 Start the engine, and spray with soap.
- 6.5 If the Pressure Washer is not equipped with a soap tank:
- 6.6 Make sure the Siphon Tube with Strainer is connected to the brass

barb near the high-pressure hose connection area of the pump


- 6.7 Submerge the strainer end of the siphon tube in the soap/detergent solution bottle or bucket.
- 6.8 Change the nozzle to black nozzle.
- 6.9 Start engine and spray with soap.


7. To Rinse

- 7.1 Replace the nozzle with an appropriate high-pressure nozzle (see “Selecting The Right Nozzle” on Page 17). Squeeze the trigger and wait for the detergent to clear.
- 7.2 Keep the spray gun a safe distance from the area you plan to spray.
- 7.3 Apply a high-pressure spray to a small area, and then check the surface for damage. If no damage is found, it is okay to continue cleaning.
- 7.4 For a vertical surface, start at the top of the area to be rinsed, working down with same overlapping strokes as you used for washing and applying detergent.

8. Cleaning Tips

NOTICE: Never use the Pressure Washer garden hose inlet to siphon detergent or wax. Leaving chemicals and cleaning solutions inside the pressure pump could damage it. Damages created by leaving soaps, chemicals and cleaning solutions inside the pump can void the warranty.

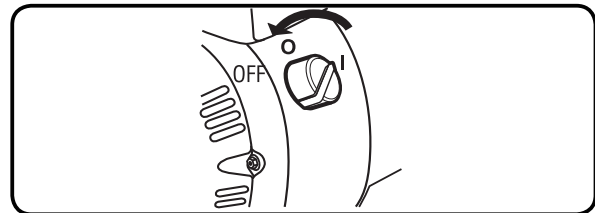
 **WARNING:** Hot Surface / Fluid Injection hazard

 **SOME ENGINE PARTS CAN BECOME EXTREMELY HOT.**

Release pressure from high-pressure hose before removing from pump or gun. If you intend to disconnect the high-pressure hose after completing a wash, avoid touching the engine exhaust system while disconnecting the high-pressure hose from the pump.

9. Stopping the Pressure Washer

To stop the engine in an emergency, turn the Engine Switch to the off position. Under normal conditions, use the following procedure:



- 9.1 Release the Trigger on the Spray Gun handle.
- 9.2 Turn the Engine Switch off.
- 9.3 Turn the water supply off.
- 9.4 Squeeze the Trigger to release excess pressure.
- 9.5 If pressure washer detergent has been used, run clean water through the system to eliminate detergent residue using the following procedure:
- 9.6 Turn off the Engine as detailed in step 2.
- 9.7 Fill the Detergent Tank (Not supplied) with clean water.
- 9.8 Remove the Nozzle and restart the Engine (Following directions in “Starting the Engine” on Page 15).
- 9.9 Point Wand in safe direction and hold down to flush water through system until clean.
- 9.10 Turn the Engine switch to the off position.

NOTICE: High Altitude Operation
 At high altitudes over 3,000 feet, the engine carburetor and any other parts that control the fuel-air ratio will be affected, which will decrease performance, increase fuel consumption and increase emission. Proper operation can be ensured by installing an altitude kit by a qualified mechanic when use at altitude higher than 3,000 feet. Refer to the altitude kit and operation instruction (provided) when needed.

NOTICE: Regular maintenance will improve the performance and extend the life of your Pressure Washer. Service should be done by a qualified person or technician.

Pressure Washer’s warranty does not cover items that have been subjected to operator abuse or negligence. Only by maintaining Pressure Washer in accordance with instructions in this manual will the full value of the warranty be honored. Some adjustments will need to be made periodically to properly maintain the Pressure Washer. All service and adjustments should be made at least one time each season. It is important that the maintenance chart below be followed.

Many maintenance procedures, including any not detailed in this manual, will need to be performed by a qualified technician for safety. If you have any doubts about your ability to safely service the equipment or engine, have a qualified technician service the equipment instead.

Engine Maintenance Schedule

NOTICE: This maintenance schedule is intended solely as a general guide. If performance decreases or if equipment operates unusually, check systems immediately. The maintenance needs of each piece of equipment will differ depending on factors such as duty cycle, temperature, air quality, fuel quality, and other factors.

NOTICE: The following procedures are in addition to the regular checks and maintenance explained as part of the regular operation of the engine and equipment.

ENGINE MAINTENANCE CHART

TEM	TASK	EACH USE	3 MONTH	6 MONTHS	1 YEAR
ENGINE OIL	Check Level	X			
	Replace			X*	
AIR FILTER	Check	X			
	Clean		X		
	Replace			X*	
SPARK PLUG	Clean, adjust			X**	
	Replace				X* **
SPARK ARRESTER	Clean			X	

* Recommended to be performed more frequently if used in a dusty environment.

** Set gap to 0.6 - 0.7mm

Pump Maintenance

NOTICE: The pressure pump is maintenance free. If you notice any sign of oil leakage in and around the pump, DO NOT operate the pressure washer. Please call our Customer Service at 1-855-888-3598.

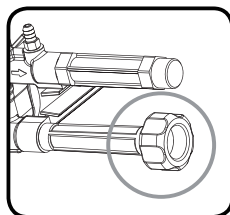
Cleaning Nozzle:

Occasionally, the spray wand can become clogged with foreign materials such as dirt. When this happens, excessive pressure can develop. Whenever the pressure nozzle becomes particularly clogged, the pump pressure will pulsate. It should be immediately cleaned.

1. Make sure Pressure Washer is off and spray gun is locked.
2. Remove high pressure spray nozzle from the spray wand. Using the nozzle cleaning needle (provided), remove any obstructions by inserting and carefully moving the pin back-and-forth through nozzle hole under clean running water.
3. After cleaning, remove the needle from nozzle and store for future use.
4. Reassemble pressure nozzle to spray wand.

Cleaning Water Inlet Screen Filter:

The pump water inlet has a filter screen that should be checked periodically and cleaned if necessary.



- Disconnect inlet water hose.
- Remove filter by grasping end and pull straight out.
- Clean screen filter by flushing both sides with water.
- Insert screen filter back inside water inlet port.

NOTICE: Do not operate Pressure Washer without water inlet screen filter in place.

Cleaning Pressure Washer

Daily or before use inspections should include areas around and underneath Pressure Washer looking for signs of fuel or oil leaks. Preventative maintenance should be taken if leakage is found. Clean accumulated debris from outside and inside Pressure Washer. Ensure all linkages, springs and other engine controls are kept clean. Inspect cooling air slots and openings on Pressure Washer. Openings must be kept clean and unobstructed for peak performance of Pressure Washer. Engine components should be kept clean reducing risk of overheating and ignition of accumulated debris.

- Use a damp cloth to wipe exterior surfaces clean.
- Use a soft bristle brush to loosen caked on dirt or oil.
- Use a shop-vacuum to pick up any loose dirt and debris.

Changing Engine Oil

WARNING: Hot Surface



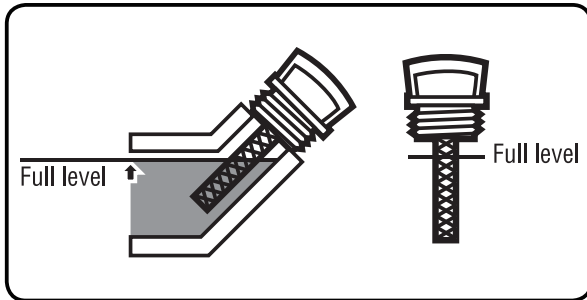
Oil is very hot during operation and can cause sevier burns. Before changing engine oil, wait for 30 minutes after shutting engine down, to be sure engine oil has cooled.

1. Draining Engine Oil:

1. Make sure the engine is stopped, cool and is on a level surface.
2. Close the Fuel Valve.
3. Place a drain pan (not included) underneath the crankcase's drain plug, located on bottom side of engine.
4. Clean the top of the Dipstick and the area around it. Remove the Dipstick by turning it counterclockwise, and wipe it off with a clean, lint free rag.

5. Remove the drain plug and, if possible, tilt the crankcase slightly to help drain the oil out into the pan. Recycle used oil.
6. Replace the drain plug and tighten it.

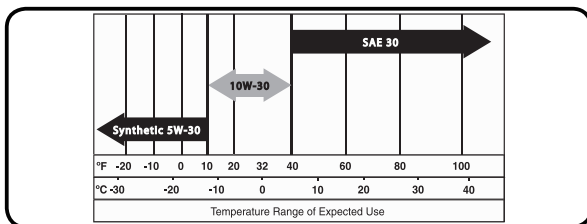
2. Adding Engine Oil:



1. Place product on flat level surface.
2. Fill crankcase with required amount of fresh clean engine oil (0.6 Quart), using table below to determine the correct viscosity.
3. Replace dipstick in hole, but don't thread in. Remove the dipstick to confirm oil level. Replace dipstick and tighten to finger tight, DO NOT Use a tool to tighten. Over tightening will break or damage the dipstick threads.

NOTICE: All oil should meet minimum American Petroleum Institute (API) Service Class SJ, SL or better. Use no special additives. Select the oil's Viscosity grade according to the expected operating temperature.
(See chart below)

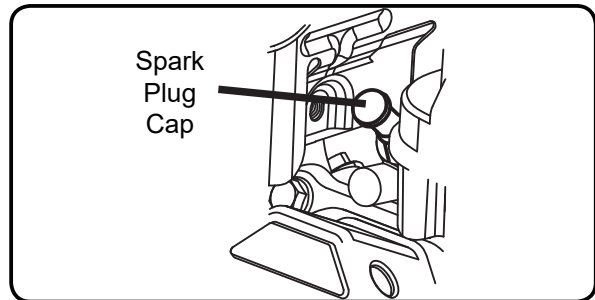
- Above 40° F, use 1 0W-30
- Between 40° F and 10°F, use 1 0W-30
- Below 10°F, use synthetic 5W-30



NOTICE: Do not run the engine with too little oil. If equipped with Low Oil Shutdown, the engine will not start with low or no engine oil.

Spark Plug Maintenance:

1. Disconnect spark plug cap from end of plug. Clean out debris from around spark plug.
2. Using a spark plug wrench, remove the spark plug.
3. Inspect the spark plug:
 - If the electrode is oily, clean it using a clean, dry rag.
 - If the electrode has deposits on it, polish it using emery paper.
 - If the white insulator is cracked or chipped, the spark plug needs to be replaced.



RECOMMENDED SPARK PLUGS	
CHAMPION	RA6HC
NGK	DPCR63

NOTICE: Using an incorrect spark plug may damage the engine. DO NOT over tighten spark plug, or engine threads can be damaged.

4. When installing a new spark plug, adjust the plug's gap to the specification on the Specifications chart. Do not pry against the electrode, the spark plug can be damaged.
 - Install the new spark plug or the cleaned spark plug into the engine.
 - Gasket-style - Finger-tighten until the gasket contacts the cylinder head, then tighten about 1/2-2/3 turn more.
5. Non-gasket-style - Finger-tighten until the plug contacts the cylinder head, then tighten about 1/16 turn more.
6. Reattach the spark plug cap securely.


Air Filter Maintenance:


1. Remove the Air Filter Cover and the air filter(s) and check for dirt. Clean as described below.
2. Cleaning:
 - For paper filters: To prevent injury from dust and debris, wear ANSI-approved safety goggles, NIOSH-approved dust mask/respirator, and heavy-duty work gloves. In a well-ventilated area away from bystanders, use pressurized air to blow dust out of the filter. If this does not get the filter clean, replace it.
 - For foam filters: Wash the filter in warm water and mild detergent several times. Rinse. Squeeze out excess water and allow it to dry completely. Soak the filter in lightweight oil briefly, then squeeze out the excess oil.
3. Install the cleaned filter(s). Secure the Air Filter Cover before use.

Long-term Storage

When the equipment is to remain idle for longer than 20 days, prepare the Engine for storage as follows:

1. Cleaning. Wait for Engine to cool, then clean Engine with dry cloth.

 **WARNING:** Fire / Explosion Hazard

 Fuel and its vapors are extremely flammable and explosive which could cause burns, fire or explosion resulting in death or serious injury. Fill tank only in a well-ventilated area away from ignition sources. If the engine is hot from use, shut down and wait for it to cool before adding fuel. Do not smoke, or have open flame near fuel, or area when refueling.


2. Fuel. Gasoline fuel can become stale when stored over 30 days, which will cause acid and gum deposits


to form in the fuel system or crucial carburetor parts. To keep fuel fresh, add fuel stabilizer to the fuel tank. Draining gasoline is unnecessary if the fuel stabilizer is used according to the instructions that come with it. Run Pressure Washer engine for a minimum of five minutes, after stabilizer is added to fuel, to allow it to circulate throughout the engine. The engine and fuel can be stored up to 24 months.

NOTICE: Be sure to have the water connected to the pump when running the engine for any purpose.

Lubrication:

1. To protect against rust formation during storage, oil the cylinder bore:
2. Change engine oil.
3. Clean out area around spark plug. Remove spark plug and pour approximately 1/2 oz (15 ml) of clean engine oil into cylinder through spark.
4. Replace spark plug, but leave spark plug cap disconnected.
5. Pull Starter Handle to distribute oil in cylinder. Stop after one or two revolutions when you feel the piston start the compression stroke (when you start to feel resistance).

 **WARNING:** Fire / Electrical Shock

 Unintentional sparking can cause fire or electrical shock. Failure to observe this warning can cause severe property damage, severe burns and even death.

Disconnect spark plug wire from spark plug and cover tip of spark plug wire with insulating tape and place wire where it cannot come in contact with spark plug or Pressure Washer frame.

Storing Accessories

The Pressure Washer is equipped with places to store your accessories as shown (see diagram on page 8).

1. Place Spray Gun into Gun Holder
2. Place nozzles in the top panel.
3. Coil and tie Pressure Hose and hang on the hose hanger.

Pump Preparation

1. Disconnect the high-pressure hose and the water supply hose from the pump.
2. Pull starter rope handle several times to expel water from the pump.

NOTICE: It is normal to see water exit both inlet and outlet of pump during this exercise.

Storage Area

Cover and store in a dry, level, well-ventilated area out of reach of children. Storage area should also be away from ignition sources, such water heaters, clothes dryers and furnaces.

Preparation for Use After Storage

1. Slowly pull the starter cord a few times to clean oil from the cylinder or to eject any pump protector from the pump which may have been added prior to storage.
2. Remove the spark plug from the cylinder. Wipe oil from the spark plug and return it to the cylinder and re-tighten.
3. Reconnect the spark plug wire.
4. Refuel engine per earlier instructions in this manual.

**CAUTION:** Cold storage location

- If product will be exposed to temperatures below 32° F / 0° C during storage, the use of a pump protection product (not included) is required. Use the pump protection product per the pump protection manufacturer's instructions.
- Failure to prepare the pump for exposure to cold temperature will cause damage to the pump and void your warranty.

Troubleshooting

Problem	Possible Causes	Possible Solutions
Engine will not start.	No fuel in tank or fuel valve is in "OFF" position.	Fill fuel tank with fresh 87 + octane unleaded stabilizer-treated gasoline and turn fuel valve to "ON" position. Do not use gasoline with more than 10% ethanol (E15, E20, E85, etc.).
	Low quality, stale, dirty or deteriorated gasoline.	Drain fuel tank and carburetor; fill with fresh fuel.
	Choke not in START position, cold engine.	Move Choke to START position.
	Carburetor not primed.	Pull on Starter Handle to prime.
	Dirty fuel passageways in carburetor.	Clean out passageways using fuel additive. Heavy deposits may require further cleaning.
	Carburetor needle stuck.	Gently tap side of carburetor float chamber with screwdriver handle.
	Too much fuel in cylinder. This can be caused by the carburetor needle sticking.	Turn Choke to RUN position. Remove spark plug and pull the start handle several times to air out the chamber. Reinstall spark plug and set Choke to START position.
	Intake valve stuck open or closed.	Call customer service at: 1-855-888-3598.
	Clogged Fuel Filter.	Replace Fuel Filter.
	Spark plug cap not secured	Connect spark plug cap properly.
	Spark plug electrode wet or dirty.	Clean spark plug.
	Incorrect spark plug gap	Set spark plug gap to 0.6 - 0.7mm
	Spark plug cap broken.	Replace spark plug cap
	Incorrect spark timing or faulty ignition system.	Call customer service at: 1-855-888-3598.
Cylinder not lubricated. (problem after long storage periods).	Pour tablespoon of oil into spark plug hole. Crank engine a few times and try to start again.	

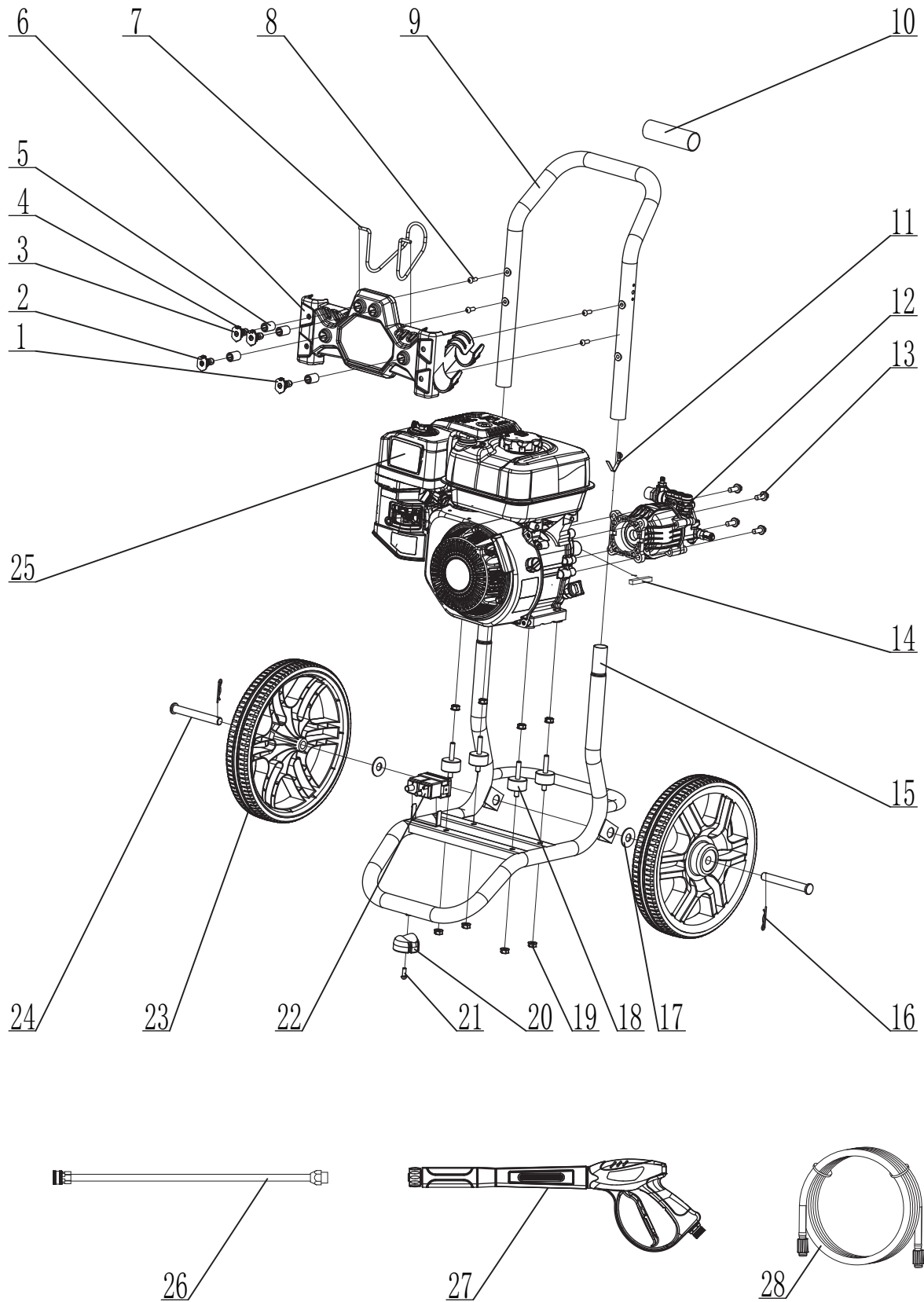
Troubleshooting continued

Problem	Possible Causes	Possible Solutions
Engine will not start. (cont).	Loose or broken spark plug. (Hissing noise will occur when trying to start.)	Tighten spark plug. If that does not work, replace spark plug. If problem persists, may have head gasket problem.
	Loose cylinder head or damaged head gasket. (Hissing noise will occur when trying to start.)	Tighten head. If that does not remedy problem, replace head gasket
	Engine valves or tappets mis-adjusted or stuck.	Call customer service at: 1-855-888-3598.
	Low engine oil.	Fill engine oil to proper level.
	Product on slope or unlevelled surface, triggering low oil shutdown.	Move product to level surface.
Engine "hunts" or falters	Carburetor is running too rich or too lean.	Call customer service at: 1-855-888-3598.
	Clogged or dirty fuel filter.	Clean or replace fuel filter.
Engine lacks power	Cylinder compression is low.	Call customer service at: 1-855-888-3598.
	Dirty air filter.	Clean or replace fuel filter.
Engine misfires	Spark plug cap loose.	Check all wire connections.
	Incorrect or defective spark plug.	Re-gap or replace spark plug.
	Defective spark plug cap.	Replace spark plug cap.
	Old or low quality gasoline.	Use only fresh 87+ octane stabilizer-treated unleaded gasoline. Do not use gasoline with more than 10% ethanol (E15, E20, E85, etc.).
	Incorrect compression.	Call customer service at: 1-855-888-3598.
Engine suddenly stops	Fuel tank empty or full of impure or low quality gasoline.	Fill fuel tank with fresh 87+ octane stabilizer-treated unleaded gasoline. Do not use gasoline with more than 10% ethanol (E15, E20, E85, etc.).
	Low oil shutdown.	Fill engine oil to proper level.

Engine suddenly stops (cont).	Defective fuel tank cap creating vacuum, preventing proper fuel flow.	Test/replace fuel tank cap.
	Faulty magneto.	Call customer service at: 1-855-888-3598.
	Disconnected or improperly connected spark plug cap.	Secure spark plug cap.
Engine stop under heavy load	Dirty air filter	Clean or replace filter element.
	Engine running cold.	Allow engine to warm up prior to operating equipment.
Engine knocks	Old or low quality gasoline.	Use only fresh 87+ octane stabilizer-treated unleaded gasoline. Do not use gasoline with more than 10% ethanol (E15, E20, E85, etc.).
	Engine overloaded.	Do not exceed equipment's load rating.
	Incorrect spark timing, deposit buildup, worn engine, or other mechanical problem.	Call customer service at: 1-855-888-3598.
Engine backfires	Impure or low quality gasoline.	Use only fresh 87+ octane stabilizer-treated unleaded gasoline. Do not use gasoline with more than 10% ethanol (E15, E20, E85, etc.).
	Engine too cold.	Allow engine to warm up prior to operating equipment.
	Intake valve stuck or overheated engine.	Call customer service at: 1-855-888-3598.
	Incorrect engine timing.	
No pressure or low pressure	No nozzle inserted into wand quick connect fitting	See "Selecting The Right Nozzle" on Page 16.
	Inadequate water supply.	Water supply must be 5 GPM @ 20 PSI minimum.
	Hose fitting leaking	Check and tighten all hose fittings
	Nozzle is clogged	Clean Nozzle (See "Cleaning Nozzle" on Page 20).
	Water inlet filter screen obstructed.	Remove and clean filter screen.
	Air in hose.	Squeeze trigger to remove air.
	Choke lever in "START " position.	Move choke to "RUN" position.

Troubleshooting continued

Problem	Possible Causes	Possible Solutions
Output pressure varies	Not enough water supply.	Check water supply hose for kinks, leaks, or blockage. Open faucet all the way.
	Water inlet screen is clogged.	Remove and clean filter screen.
	Nozzle is clogged.	Clean Nozzle (See “Cleaning Nozzle” on Page 20).
	Nozzle has mineral build up	Remove Nozzle and clean with vinegar.
Water or Oil Leaking at Pump	Loose connections.	Check and tighten all connections.
	Worn or broken O-rings.	Call customer service at: 1-855-888-3598.
	Pump head or tubes damaged from freezing.	
No intake of detergent	Detergent hose not properly inserted into unit.	Push firmly onto injector fitting.
	Soap injector hose cracked or split.	Replace hose.
	Wrong Nozzle.	Switch to black SOAP nozzle.
	Injector turned off.	Turn on injector
	Injection hose strainer clogged	Clean hose and strainer.
	Nozzle blocked.	Clean nozzle.
	Dried detergent in injector.	Dissolve by running warm water through the injection hose. Run clean water through injector until clear.
Water leaking at spray gun/wand connection	Loose hose connection.	Check and tighten all connections.
	Worn, broken or missing O-ring.	Call customer service at: 1-855-888-3598.



FOR TECHNICAL QUESTIONS, PLEASE CALL 1-855-888-3598

LIMITED WARRANTY**KEEP YOUR RECEIPT.**

Proof of purchase will be required to substantiate any warranty claim.

WHAT IS COVERED:

A-iPower Corp. warrants to the original retail purchaser in the United States of America, or Canada that this product is free of defects in material and workmanship and agrees, at A-iPower Corp. 's direction, to either repair, provide replacement parts for, or replace (without charge for parts or labor) any product or component with a material defect for a period of 2 years from the date of purchase, except as limited below. Warranty service and replacement parts are warranted only for the duration of the warranty on the original product. All replaced parts or products become a property of A-iPower Corp. This product is also covered by an Emissions Control System Warranty which is separate from and in addition to the warranty.

Warranty

A-iPower Limited Warranty – 2 Years Residential and 1 Year Commercial

2 year Residential warranty applies as follow: 1st year Parts & Labor / 2nd year Parts ONLY

Thank you for choosing A-iPower products. To ensure proper registration of your product warranty, please submit your warranty registration along with proof of purchase within 10 days of the date of purchase, this can be done by:

A. Completing the Warranty Registration form at the back of this manual and mailing to:

B. Visit us at www.a-ipower.com and click the product registration icon.

A-IPOWER CORP.
10887 COMMERCE WAY UNIT A
FONTANA CA 92337 USA

Warranty Term

A-iPower will provide warranty for any of its products purchased through any authorized A-iPower dealer in North America to the original purchaser and will be warranted against defects in material or workmanship for a period of two (2) years for Consumer use from date of purchase, subject to exclusions noted herein. Commercial and Rental applications are warranted for a period of one (1) year from date of purchase.

“Consumer Use” – residential household use by a retail consumer

“Commercial Use” – all other use – commercial , business, industrial, or rental purpose.

How to Obtain Warranty Service

Please call our Customer Service Dept. 855-888-3598 or e-mail to support@a-ipower.com
Please have necessary information available – Model Number, Serial Number, Proof of Purchase.

DO NOT RETURN THE PRODUCT TO THE PLACE OF PURCHASE

A-iPower Customer Service Dept. will assist with all product related questions and will help troubleshoot issues and will send any replacement parts as necessary while product is within the warranty period at no charge. If the issue cannot be resolved then A-iPower Customer Service Dept. at its discretion determine and authorize diagnosis and repair through one of its authorized Service Centers. A-iPower Corp. at its discretion may choose to provide replace of part, component, or product. Service or replacement of parts at any unauthorized repair facility without prior authorization will not be covered by this warranty.

Warranty Exclusions

This warranty does not cover the following:

Regular wear and maintenance – this warranty will not cover repair when normal use has exhausted the lifetime of a part(s) or engine.

Installation and Maintenance - this warranty does not cover improper or unauthorized assembly, alteration, modification or any other damage resulting from misuse or neglect.

Normal maintenance parts - this warranty does not cover spark plugs, air filters, adjustments, or other related service due to obstructions and other build ups resulting from improper maintenance

Additional exclusions - this warranty does not cover wearable parts such as filters, spark plugs, o-rings, batteries etc. It does not cover any cosmetic defects such as scratches to paint, decals etc. It does not cover any damage resulting from use of non-original manufacturer's parts, use of after-market parts. It does not cover any failures due to acts of God and other force majeure events beyond the control of the manufacturer.

Warranty limits and Implications and Consequential Damages

A-iPower is not obligated to cover any loss of time, use of product, freight cost, or any other incidental or consequential claim from the use of this product. This warranty is in Lieu of all other warranties, express or implied

This warranty gives you specific legal rights which vary from state to state.

MERCHANDISE RETURN GUIDELINES

- All products must be returned in original or equivalent packaging. Improperly packaged returns will not be accepted.
- Must have adequate packing for transportation
- Federal Law requires that all machines that utilize gasoline, oil, or other flammable liquids must be drained Completely & Thoroughly prior to shipment.
- Gas caps and oil plugs must be left off for 24 hours prior to shipping. Please note: liability for this violation of the law resides with the sender of the shipment.
- Return to address provided in return authorization, using the parcel service required. Units returned without authorization will not be honored.
- Please Note: Refunds will not be granted for items that have been modified or damaged by abuse or usage not in accordance with product instructions.



Fontana, CA 92337 USA
Phone: 1-855-888-3598
support@a-ipower.com
www.a-ipower.com
Made in China



A-iPOWER WARRANTY REGISTRATION FORM

Register your product by emailing this form to support@a-ipower.com or register on-line at: www.a-ipower.com.

Registering your product is important , it provides the following protections:

1. You have record of product purchased
2. Customer Service can Better serve you for Warranty related issues
3. We can contact you in the unlikely event should notification is necessary

Customer Information:

Name: _____
 Phone: _____
 E-mail: _____
 Address: _____
 City, State: _____
 Zip code: _____
 Purchase Date: _____

Product Information:

Serial # _____

Model # _____

The serial No. can be found on the engine.
PLEASE NOTE: Your product cannot be registered without model & serial numbers.

- 1.THE PRODUCT WAS PURCHASED FOR: A. Residential cleaning
 B. Other _____
- 2.THIS PRODUCT IS A: (select one)
 A. First time purchase
 B. Replacement
- 3.HOW DID YOU FIRST LEARN OF THIS PRODUCT: (select one)
 A. Radio
 B. Store Display
 C. Contractor
 D. Trade Show
 G. Direct Mail
 H. From Friend/Relative/Neighbor
 I. Internet
 J. Other _____

4. PLEASE RATE THE FOLLOWING:	Completely Satisfied					Not at all Satisfied
	5	4	3	2	1	
Product Value for Price Paid	<input type="checkbox"/>	<input type="checkbox"/>	<input type="checkbox"/>	<input type="checkbox"/>	<input type="checkbox"/>	
Performance	<input type="checkbox"/>	<input type="checkbox"/>	<input type="checkbox"/>	<input type="checkbox"/>	<input type="checkbox"/>	
Features	<input type="checkbox"/>	<input type="checkbox"/>	<input type="checkbox"/>	<input type="checkbox"/>	<input type="checkbox"/>	
Product Appearance	<input type="checkbox"/>	<input type="checkbox"/>	<input type="checkbox"/>	<input type="checkbox"/>	<input type="checkbox"/>	
Warranty	<input type="checkbox"/>	<input type="checkbox"/>	<input type="checkbox"/>	<input type="checkbox"/>	<input type="checkbox"/>	
Ease of Maintenance	<input type="checkbox"/>	<input type="checkbox"/>	<input type="checkbox"/>	<input type="checkbox"/>	<input type="checkbox"/>	
Noise Level	<input type="checkbox"/>	<input type="checkbox"/>	<input type="checkbox"/>	<input type="checkbox"/>	<input type="checkbox"/>	

5 . HOW LIKELY ARE YOU TO RECOMMEND A-iPOWER TO FAMILY OR FRIENDS?

	Extremely Likely			Not Likely at all	
	5	4	3	2	1
	<input type="checkbox"/>	<input type="checkbox"/>	<input type="checkbox"/>	<input type="checkbox"/>	<input type="checkbox"/>

Privacy Statement: A-ipower is committed to respecting your privacy and to complying with the regulations regarding the protection of personal data. The survey data we collect is for the purposes of marketing or product support and demographic information about the entire audience registering their products.



Fontana, CA 92337 USA

Phone: 1-855-888-3598

support@a-ipower.com

www.a-ipower.com

Made in China



MANUAL DEL PROPIETARIO E INSTRUCCIONES DE OPERACIÓN

LAVADORA A PRESIÓN A GASOLINA

2700 PSI, 2.3 GPM

Modelo: PWF2701SH

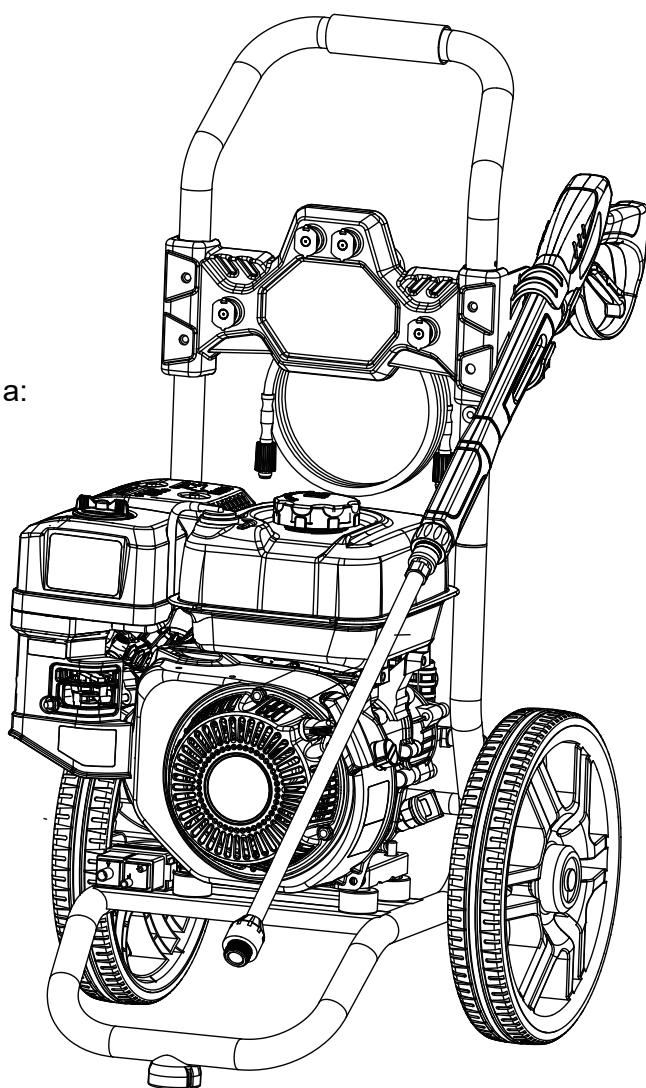
SERVICIO DE ATENCIÓN AL CLIENTE:

1-855-888-3598

Visite nuestro sitio web: www.a-ipower.com

Envíe un mensaje a nuestro Soporte Técnico a:
support@a-ipower.com

AVISO: No utilice combustible E85 o E15 en este producto. Puede dañar el motor y anular la garantía. Utilice únicamente gasolina sin plomo que contenga hasta un 10% de etanol.



A-iPower Corp.
Fontana, CA 92337 USA
www.a-ipower.com

 **ADVERTENCIA:** GUARDE ESTE MANUAL PARA SU FUTURA CONSULTA



Este manual contiene información importante sobre la seguridad, uso, mantenimiento y almacenamiento del producto. Antes de utilizarlo, lea y entienda todas las precauciones, advertencias, instrucciones y etiquetas del producto. Su incumplimiento podría provocar lesiones corporales graves o daños a la propiedad.

TABLA DE CONTENIDOS

ESPECIFICACIONES DEL PRODUCTO	1
SEGURIDAD	
Símbolos de Seguridad y Advertencias	2
Instrucciones y Precauciones Importantes de Operación	3
MONTAJE	
Conozca su Lavadora a Presión	9
Montaje	10
Información General	11
USO	
Verificaciones Previos al Arranque.....	13
Arranque del Motor	15
Uso de la Hidrolavadora	16
Detener la Lavadora a Presión.....	19
Uso a Gran Altitud	19
MANTENIMIENTO	
Programa de Mantenimiento del Motor.....	20
Mantenimiento de la Bomba	21
Limpieza de la Hidrolavadora	21
Cambio de Aceite del Motor.....	21
Añadir Aceite al Motor	22
Mantenimiento de la Bujía.....	22
Mantenimiento del Limpiador de Aire	23
Almacenamiento a Largo Plazo	23
Solución de Problemas	25
LISTA DE PIEZAS Y DIAGRAMA	
Diagrama de Montaje General	29
Lista General de Piezas	30
DECLARACIÓN DE GARANTÍA	
Garantía A-iPOWER	31

ESPECIFICACIONES DEL PRODUCTO

1

ESPECIFICACIONES DE LA LAVADORA A PRESIÓN

Modelo	PWF2701SH
Bomba	Axial Maintenance Free
Transmisión	Vertical Shaft Direct
Presión máxima	2700 PSI
Flujo máximo	2.3GPM
Manguera	1/4 x 25' M22
Vara rociadora	24" x 1/4 Q/C
Selección de la boquilla	Q/C 0°, 25°, 40°, Boquilla para jabón

ESPECIFICACIONES DEL MOTOR

Modelo	AP168FB
Desplazamiento	196cc
Tipo de Motor	Un solo Cilindro de 4 Tiempos OHV
Sistema de Refrigeración	Enfriado por Aire
Sistema de Lubricación	Lubricación por salpicadura
Tipo de Combustible	Gasolina sin Plomo de 87+ Octanos
Capacidad de Combustible	0.95 Galones (3.6 Litros)
Tipo de Aceite de Motor	10W-30
Capacidad de Aceite del Motor	0.6 Cuarto de Galón (0.6 Litro)


AVIS: Siempre trabajamos para mejorar nuestros productos. Por ello, el producto final puede ser diferente a las imágenes mostradas. A-iPower se reserva el derecho de cambiar características y especificaciones sin aviso para optimizar sus productos.


PARA CONSULTA TÉCNICAS, LLAME AL NÚMERO 1-855-888-3598


Este Manual de Instrucciones de Operación ha sido diseñado para instruirlo acerca del funcionamiento correcto de su equipo A-I POWER. Su satisfacción con este producto junto a un funcionamiento seguro son nuestra mayor prioridad. Por tal motivo, le rogamos que se tome el tiempo necesario para leer todo el manual, especialmente los símbolos e instrucciones de seguridad que le ayudarán a evitar los posibles peligros que puedan presentarse al operar este equipo.

Se ha hecho cada esfuerzo posible para garantizar que la información que aparece en este manual sea exacta y se encuentre actualizada. Sin embargo, nos reservamos el derecho a cambiar, alterar o de otra manera mejorar el producto y este documento en cualquier momento sin previo aviso.

Símbolos de Seguridad y Advertencias:

 **PELIGRO:** indica un riesgo que, de no evitarse, provocará la muerte o lesiones de gravedad.







 **ADVERTENCIA:** indica un riesgo que, de no evitarse, podría provocar la muerte o lesiones de gravedad.









 **PRECAUCIÓN:** indica un riesgo que, de no evitarse, podría provocar lesiones leves o moderadas.

AVISO: Indica información, o aborda prácticas de vital importancia, pero no relacionadas con daños personales.

Símbolos de seguridad y sus significados:

Los siguientes símbolos aparecerán en este manual y en el equipo. Para una operación segura de este equipo, asegúrese de comprender y conocer los significados de los símbolos de advertencia.

	Alerta de Seguridad
	Lea el Manual del Operador
	Peligro de Asfixia
	Protección de los Ojos
	Superficie Caliente
	Inyección de Fluidos
	Contragolpe
	Partes Móviles

	Fuego
	Explosión
	Choque eléctrico
	Proyectil
	Quemaduras Químicas
	Peligro Eléctrico
	Superficie Resbaladiza
	Desnivel

Instrucciones y Precauciones Importantes de Operación:



PELIGRO: PELIGRO DE GAS VENENOSO.



El escape del motor contiene monóxido de carbono, un gas venenoso y letal que puede MATARLO en pocos minutos. Es incoloro, NO PUEDE olerlo ni probarlo. Incluso si no inhala los gases del escape, podría estar igualmente expuesto al gas de monóxido de carbono. Algunos productos químicos o detergentes también pueden ser perjudiciales si se inhalan o se ingieren, causando la muerte, lesiones graves, náuseas, desmayos o envenenamiento.

- Utilice este producto ÚNICAMENTE a la intemperie, lejos de ventanas, puertas y ventilaciones para reducir el riesgo de que el gas de monóxido de carbono se acumule y entre en los espacios habitados.
- NO utilice este producto dentro de casas, garajes, sótanos, entresuelos, cobertizos o en otros espacios parcialmente cerrados, aún si utiliza ventiladores o deja las puertas y ventanas abiertas para favorecer la ventilación. El monóxido de carbono puede acumularse rápidamente en estos espacios y perdurar ahídurante horas, aun después de que este producto se haya apagado.
- SIEMPRE coloque este producto en dirección del viento y dirija el escape del motor en sentido contrario a los espacios habitados.
- Si comienza a sentirse mal, mareado o débil cuando use este producto, apáguelo busque aire puro DE INMEDIATO. Acuda a un médico. Es posible que se haya envenenado con monóxido de carbono.



PELIGRO

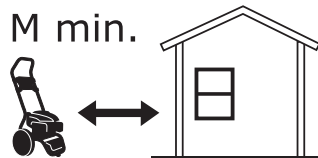
El uso de un motor de combustión interna en ambientes cerrados,
LO MATARÁ EN MINUTOS.

Los gases de escape del motor contienen monóxido de carbono,
un gas venenoso que no se puede ver, oler o saborear.



NUNCA encienda el motor dentro del hogar o un área parcialmente cerrado, como los garajes.

1.5 M min.



ÚNICAMENTE en ambientes o espacios abiertos, y lejos de las ventanas, puertas y ductos de ventilación.

Evite cualquier otro peligro relacionado a motores de combustión.
LEA EL MANUAL ANTES DE SU USO.

! ADVERTENCIA: LEA Y ENTIENDA TODAS LAS INSTRUCCIONES DE SEGURIDAD

- Mantenga los protectores en su lugar y en funcionamiento. Nunca opere este equipo sin protección o cubierta. Asegúrese de que todos los protectores estén intactos y funcionando correctamente antes de cada uso.
- Retire las herramientas de ajuste y las llaves. Si se ha realizado algún ajuste o mantenimiento, asegúrese de que todas las herramientas y llaves de ajuste se hayan retirado del equipo antes de iniciar su operación.
- Para reducir el riesgo de lesiones, mantenga a todos los niños y visitantes alejados del equipo cuando lo utilice. Todos los visitantes deben llevar lentes de seguridad y mantenerse a una distancia prudente del área de trabajo.
- Mantenga el área de trabajo alejada de todas las personas, en particular de los niños pequeños, y de las mascotas.
- Use el equipo para el uso previsto. No fuerce el equipo o el accesorio a hacer un trabajo para el que no fue diseñado. No lo utilice para un propósito no previsto. Utilice sólo los accesorios recomendados con este equipo. El uso de accesorios inadecuados y/o modificados puede provocar riesgo de lesiones.
- Use la ropa adecuada. Use pantalones largos y mangas largas. No use ropa suelta, corbatas o joyas. Ya que pueden quedar atrapados y jalarlo hacia las partes móviles. Se recomienda el uso de guantes de goma y calzado antideslizante cuando se trabaja al aire libre. No utilice el equipo con los pies descalzos o con sandalias o calzado liviano similar. También use una cubierta protectora para el cabello con la que podrá contener el cabello largo.
- Lleve siempre la protección ocular adecuada con los escudos laterales marcados para cumplir con la norma ANSI Z87.1. Cumpla con esta recomendación para reducir el riesgo de daños personales graves.
- No se extralimite ni se pare en una escalera, un tejado u otra estructura de soporte inestable.
- Mantenga una postura correcta y en equilibrio en todo momento.
- Nunca deje el equipo funcionando sin supervisión. Desconecte la energía. No deje el equipo hasta que se detenga por completo.
- Mantenga el motor y la bomba lejos de hierba, hojas, aceite o grasa con el fin de reducir la posibilidad de un peligro de incendio.
- Mantenga la salida de escape libre de objetos extraños.
- Esté completamente informado de los controles del equipo. Sepa cómo detener el equipo y cómo purgar la presión rápidamente.
- Manténgase alerta y ejerza el control. Sea consciente con lo que hace en todo momento y use el sentido común. No use la herramienta cuando esté cansado. No se apresure.
- No utilice el equipo cuando esté bajo la influencia de drogas, alcohol o cualquier otro medicamento.
- Verifique las condiciones del área de trabajo antes de usar el producto. Retire todos los objetos como rocas, vidrios rotos, clavos, alambre o cuerda que puedan ser lanzados o enredarse en el equipo.
- No dirija el chorro de rociado de alta presión hacia personas, animales o mascotas. No dirija el chorro de rociado.
- Nunca levante o transporte el equipo o intente hacer ajustes mientras el motor esté en marcha o caliente.
- No intente tocar la bujía o el cable de la bujía mientras el motor está en marcha.
- Use sólo agua fría para este equipo.
- Sólo para uso en exteriores.

PARA CONSULTA TÉCNICAS, LLAME AL NÚMERO 1-855-888-3598

⚠️ ADVERTENCIA: Fuego / Peligro de Superficie Caliente



El escape podría encender los combustibles cercanos y provocaría la muerte o lesiones graves.

El contacto con la zona del silenciador puede ocasionar lesiones graves.

- NO toque las piezas calientes y EVITE los gases de escape.
- Deje que el equipo se enfríe antes de tocarlo.
- Deje al menos 5 pies (1,5 m) de espacio libre hacia los todos los lados del producto, incluida la parte superior.
- Es una violación al Código de Recursos Públicos de California, Sección 4442, utilizar u operar el motor en cualquier área cubierta de bosques, matorrales o hierba, a menos que el sistema de escape esté equipado con un supresor chispas, tal como se define en la Sección 4442, mantenido en buenas condiciones de operación. Otros estados o jurisdicciones federales pueden tener leyes similares. Póngase en contacto con el fabricante, vendedor o distribuidor de equipos originales para obtener un supresor de chispas diseñado para el sistema de escape instalado en este motor.
- La pieza de repuesto debe ser la misma y estar instalada en la misma posición que la original.

⚠️ ADVERTENCIA: Peligro de resbalones o caídas



El uso de la lavadora a presión podría crear superficies resbaladizas que podrían provocar una caída fatal resultando muerte o lesiones graves.

- El contragolpe de la pistola pulverizadora puede provocar una caída que provoque una lesión corporal o la muerte.
- Utilice el producto desde una superficie plana.
- El área de limpieza debe tener inclinaciones y drenajes adecuados para reducir la posibilidad de caídas debido a superficies resbalosas.
- Sea extremadamente cuidadoso si usa la hidrolavadora desde una escalera, andamio o cualquier otra ubicación similar.
- Sujete firmemente la pistola pulverizadora con ambas manos cuando utilice el pulverizador de alta presión para evitar lesiones cuando la pistola retroceda.

⚠️ ADVERTENCIA: Peligro de Contragolpe



El contragolpe de la cuerda de arranque (retracción rápida) podría jalar la mano y el brazo hacia el motor más rápido de lo que puede soltar, lo que podría causar fracturas, moretones o esguinces que resulten en una lesión grave.

- NUNCA tire del cable de arranque sin antes liberar la presión de la pistola pulverizadora.
- Cuando arranque el motor, tire lentamente del cable hasta sentir una resistencia y luego tire rápidamente para evitar el contragolpe.
- Después de cada intento de arranque en que el motor no encienda, dirija la pistola pulverizadora hacia una dirección segura y apriete el gatillo para liberar la presión alta.
- Sujete firmemente la pistola pulverizadora con ambas manos cuando utilice el pulverizador de alta presión para evitar lesiones cuando la pistola retroceda.

 **ADVERTENCIA:** Peligro de Incendio/Explosión



El combustible y sus vapores son extremadamente inflamables y explosivos, los que podrían causar quemaduras, un incendio o explosión que pueda provocar lesiones graves o la muerte. Riesgo de incendio y quemaduras graves: Nunca quite la tapa del combustible cuando el equipo esté en marcha. Apague el motor y deje que la unidad se enfríe por lo menos cinco minutos. Retire la tapa lentamente.

AL AGREGAR O DRENAR COMBUSTIBLE

- Presione el botón OFF de la hidrolavadora y déjela enfriarse al menos 2 minutos antes de retirar el tapón de combustible. Afloje el tapón lentamente para aliviar la presión en el tanque.
- Llene o vacíe el tanque de combustible al aire libre.
- NO sobrellene el tanque. Deje espacio para la dilatación del combustible.
- Si se derrama combustible, espere hasta que se evapore antes de encender el motor.
- Mantenga el combustible alejado de chispas, llamas, luces piloto, calor y otras fuentes de ignición.
- Revise con frecuencia que las líneas de combustible, el tanque, la tapa y sus accesorios no tengan roturas o fugas. Reemplácelos de ser necesario.
- NO encienda cigarrillos ni fume.

ARRANQUE DEL EQUIPO

- Asegúrese de que la bujía, el silenciador, el tapón de combustible y el limpiador de aire estén en su lugar.
- NO arranque el motor sin la bujía instalada.

USO DEL EQUIPO

- NO utilice este producto en el interior de un edificio, cochera, porche, equipo móvil, taller de aplicaciones navales o recinto.
- NO incline el motor o el equipo de manera que pueda derramarse el combustible.
- NO pulverice líquidos inflamables.

TRANSPORTE, TRASLADO O REPARACIÓN DEL EQUIPO

- Transporte, traslade o repare el equipo con el tanque de combustible VACÍO y con la válvula de combustible en OFF.
- NO incline el motor o el equipo de manera que pueda derramarse el combustible.
- Desconecte el cable de la bujía.

ALCAMENAMIENTO DEL COMBUSTIBLE O DEL EQUIPO CON COMBUSTIBLE EN EL TANQUE

- Almacenar alejado de calderas, estufas, calentadores de agua, secadoras de ropa y otros aparatos o electrodomésticos que posean luz piloto u otras fuentes de ignición, ya que pueden encender los vapores del combustible.

 **ADVERTENCIA:** Fuego y la Descarga Eléctrica



Las chispas no intencionales pueden resultar en choque eléctrico, lo que puede provocar lesiones corporales o la muerte.

AJUSTES O REPARACIONES A LA HIDROLAVADORA

- Desconecte el cable de la bujía y colóquelo donde no pueda hacer contacto con la bujía.

PRUEBAS DE CHISPAS EN EL MOTOR

- Use el probador para bujías aprobado.
- NO realice la prueba sin la bujía conectada.



ADVERTENCIA: Inyección de Fluidos

La corriente de agua a alta presión que genera este equipo puede cortar la piel y tejidos subyacentes, causando lesiones graves y posible amputación.

- La pistola pulverizadora contiene agua a alta presión, incluso con el motor parado y el agua desconectada, que puede provocar lesiones corporales.
- En caso de sufrir cortes por fluidos, llame a un médico de inmediato. NO trate la herida como un corte simple.
- NO permita que los NIÑOS utilicen la hidrolavadora.
- NUNCA repare la manguera de alta presión. Reemplácela.
- NUNCA repare una fuga en las conexiones con ningún tipo de sellador. Reemplace la junta tórica o el sello.
- NUNCA conecta la manguera de alta presión a la extensión para boquillas.
- Mantenga la manguera de alta presión conectada a la bomba y a la pistola pulverizadora mientras que el sistema esté presurizado.
- SIEMPRE apunte con la pistola pulverizadora hacia una dirección segura, pulse seguro del gatillo y apriete el gatillo de la pistola para descargar la presión cada vez que detenga el motor.
- NUNCA apunte a personas, animales o plantas con la pistola pulverizadora.
- NO asegure la pistola en posición abierta.
- NO abandone la pistola pulverizadora cuando la máquina esté funcionando.
- NO utilice una pistola pulverizadora que no tenga el seguro del gatillo o protección para gatillo en su lugar y en buenas condiciones.
- Always be certain spray gun, nozzles
- Siempre asegúrese de que la pistola pulverizadora, las boquillas y demás accesorios estén correctamente colocados.



ADVERTENCIA: Peligro de las partes móviles



El arrancador y otras piezas que rotan pueden enredar las manos, cabello, ropa o accesorios, provocando lesiones corporales.

- NUNCA utilice la hidrolavadora sin la carcasa o cubierta protectora.
- NO use ropa suelta, joyas o elementos que puedan quedar atrapados en el arranque o en otras piezas de rotación.
- Ate el cabello largo y retire las joyas.



ADVERTENCIA: Peligro de los proyectiles



Riesgo de lesiones corporales en los ojos El agua rociada puede salpicar o lanzar objetos, lo que puede provocar lesiones corporales.

- Siempre use lentes de seguridad marcadas para cumplir con la norma ANSI Z87.1 cuando use o esté cerca de este equipo.
- Use siempre ropa protectora como una camisa de manga larga, pantalones largos y zapatos cerrados.
- NUNCA ponga en marcha la lavadora a presión cuando esté descalzo o usando sandalias.



PRECAUCIÓN: Velocidad del motor

Las velocidades de operación excesivamente altas podrían provocar lesiones menores. Las velocidades excesivamente bajas imponen una carga pesada al motor.

- NO intente alterar el resorte, las conexiones y otras piezas del regulador para incrementar la velocidad del motor. La hidrolavadora ejerce la presión y el flujo nominales correctos cuando funciona a una velocidad controlada.
- NO modifique al limpiadora a presión en ninguna forma.

 **ADVERTENCIA:** Choque Eléctrico

El contacto con la fuente de energía puede causar una descarga eléctrica o quemaduras que pueden provocar lesiones corporales o la muerte.

- Nunca rocíe el líquido en o cerca de una fuente de energía eléctrica.

 **ADVERTENCIA:** Quemadura química

Los químicos pueden causar quemaduras que podrían provocar lesiones corporales o la muerte.

- NO utilice líquido cáustico con la hidrolavadora.
- Utilice ÚNICAMENTE detergentes o jabones seguros para hidrolavadora. Siga todas las instrucciones de los fabricantes.

 **ADVERTENCIA:** La Propuesta 65 de California

Este producto puede exponerlo a productos químicos como el plomo, que el estado de California sabe que causan cáncer. Para más información revisar página www.P65Warnings.ca.gov

AVISO: Para información adicional sobre las partes enumeradas en las páginas siguientes, consulte:

- LISTA DE PARTES Y DIAGRAMA en la página 29.

AVISO: El rociado de alta presión podría dañar objetos frágiles, incluido el vidrio.

- NO apunte con la pistola pulverizadora hacia un vidrio cuando utilice una boquilla de roja de 0°.
- NUNCA apunte con la pistola hacia las plantas.

NOTICE: El uso inadecuado de la hidrolavadora puede dañarla y acortar su vida útil. En caso de dudas sobre las finalidades de uso, comuníquese con nuestro centro de servicios llamando al 1-855-888-3598.

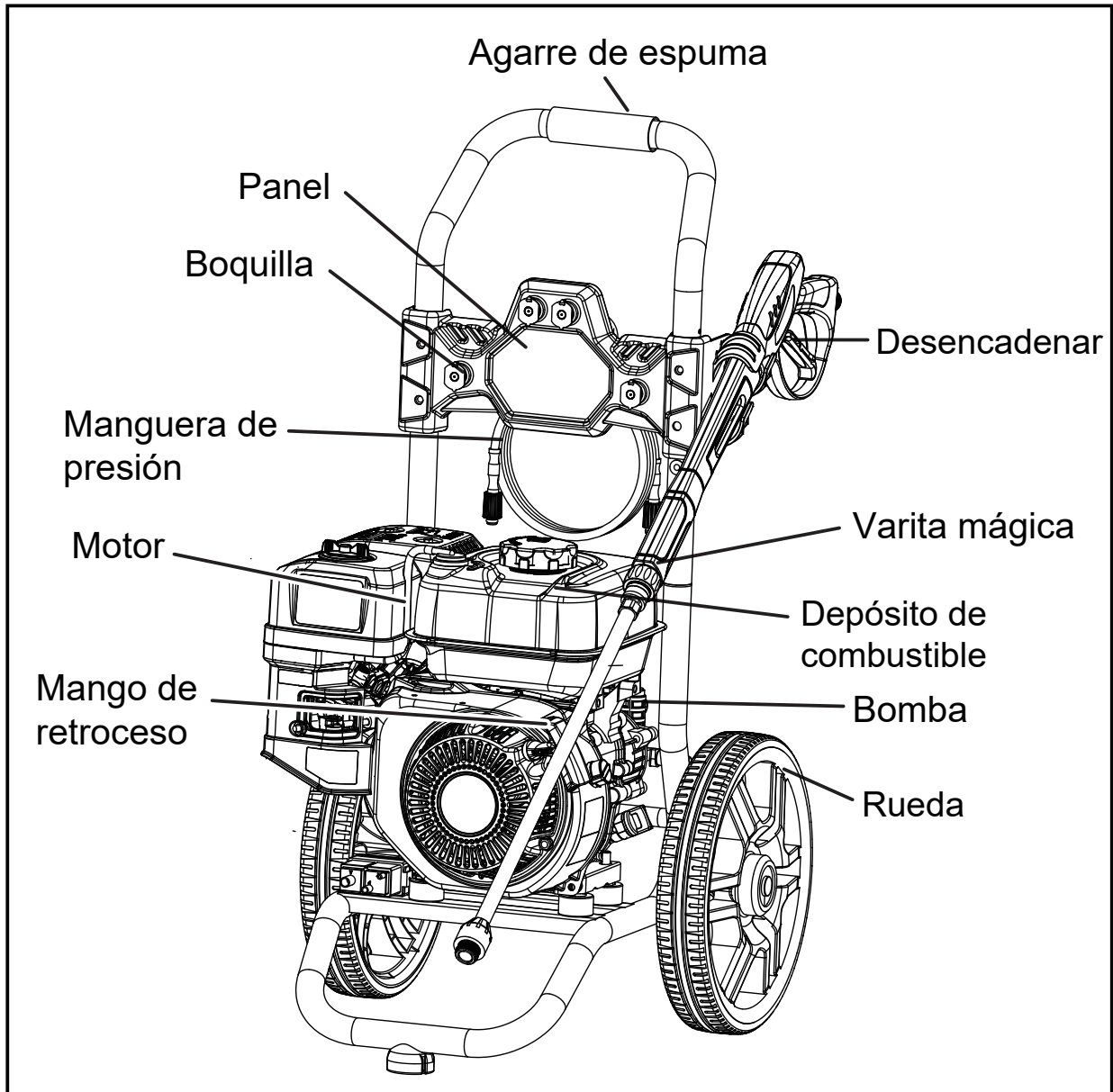
- NUNCA opere unidades dañadas o con partes faltantes, o sin cubierta protectora.
- NO omita ningún dispositivo de seguridad en esta máquina.
- NO intenten alterar la velocidad controlada.
- NO opere el producto por encima de la presión nominal.
- NO modifique al limpiadora a presión en ninguna forma.
- Antes de utilizar la hidrolavadora en climas fríos, verifique todas las piezas del equipo para asegurarse de que no se haya formado hielo.
- NUNCA mueva la máquina tirando de las mangueras, Use la manija que viene con la unidad.
- Este equipo está diseñado para usarse ÚNICAMENTE con piezas A-iPower autorizadas. Si se utiliza el equipo con piezas que NO cumplen con las especificaciones mínimas, el usuario asume todos los riesgos y responsabilidades.

⚠ PRECAUCIÓN: Lea el manual



Lea toda la sección de SEGURIDAD al inicio de este manual, incluyendo todos los textos en sus subtítulos antes de montar o utilizar este producto.

Conozca su Lavadora a Presión



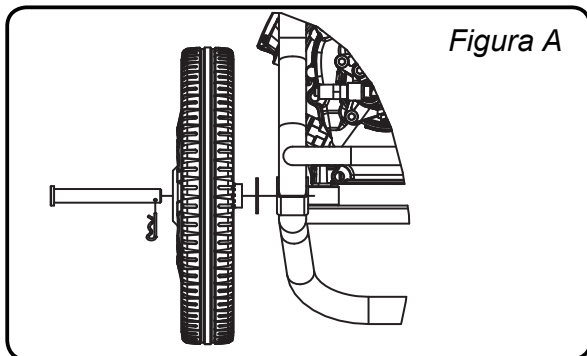
Accesorios incluidos:

- 0,6 cuarto de aceite
- Manual del Propietario
- Aguja para Limpieza de la Boquilla

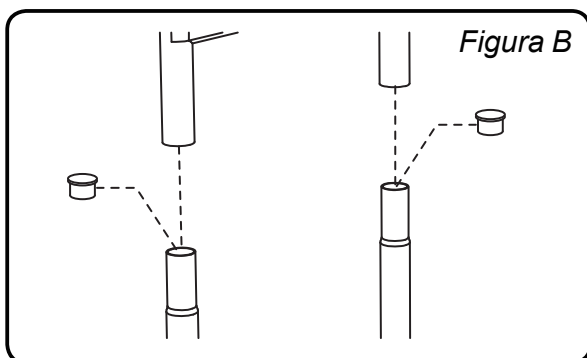
PARA CONSULTA TÉCNICAS, LLAME AL NÚMERO 1-855-888-3598

MONTAJE:

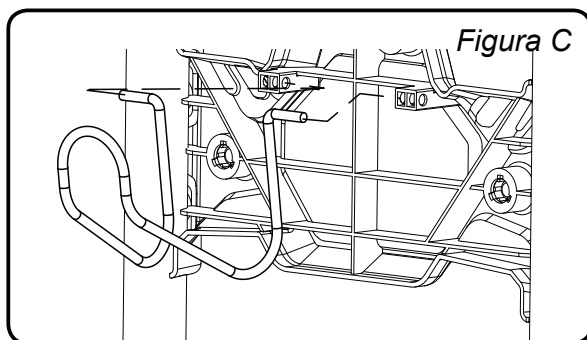
1. Inserte el eje a través de la rueda, la arandela plana y el manguito del cuadro a su vez, luego inserte la abrazadera de bloqueo del pasador a través del orificio del eje. Vea la Figura A.



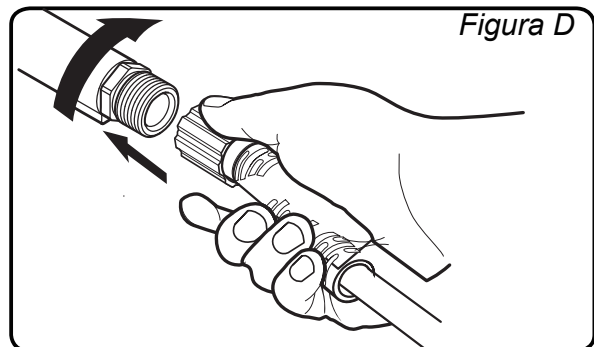
2. Saque la tapa del extremo del marco, coloque la manija en el marco insertando el clip. Vea la Figura B.



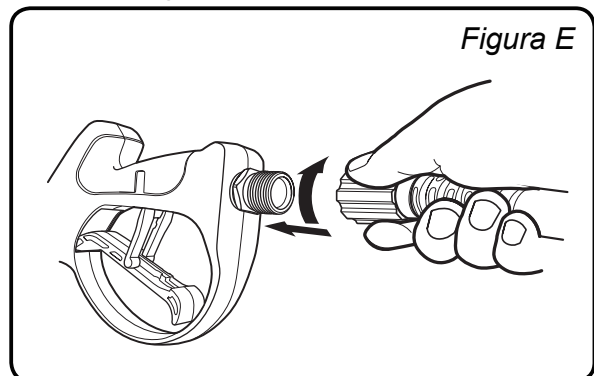
3. Conecte el soporte de la manguera al panel. Vea la Figura C.



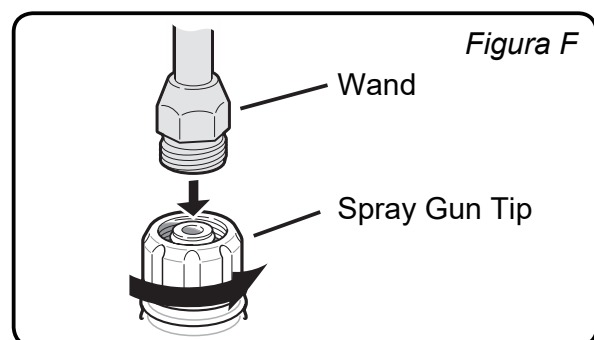
4. Conecte la manguera de presión a la bomba conector de salida y apriete la tuerca firmemente mano, NO use ninguna herramienta para apretar. Vea la Figura D.



5. Conecte la manguera de presión a la mango de la pistola pulverizadora y apriete el tuerca firmemente con la mano. Vea la Figura E.

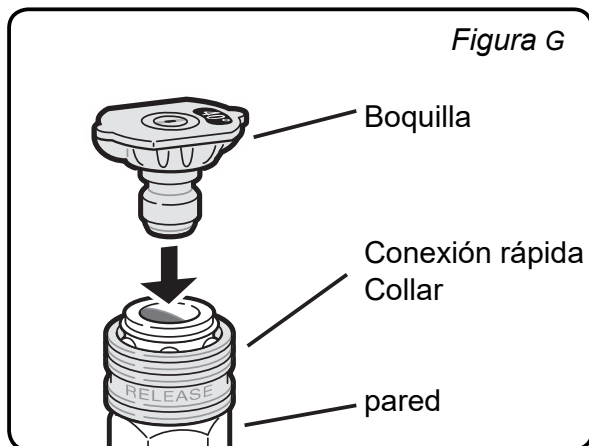


6. Retire la tapa protectora de la varita. entrada. Inserte la varilla en la pistola rociadora punta y apriete la tuerca firmemente con la mano. Vea la Figura F.



7. Conecte la boquilla a la varilla tirando hacia atrás del collar de conexión rápida y empujando la boquilla hacia el extremo de la varilla. Asegúrese de que el collar de conexión rápida bloquee la boquilla en su lugar.

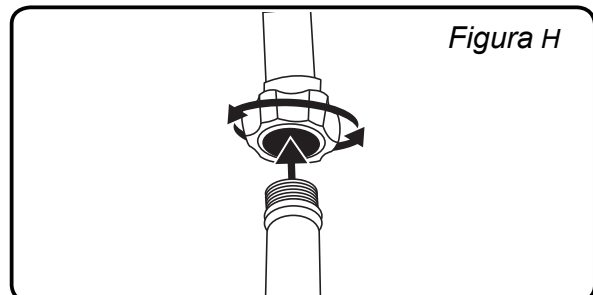
Vea la Figura G



8. Conecte la manguera de suministro de agua a la conexión de entrada de agua en la bomba y apriete el accesorio de entrada firmemente con la mano.

Vea la Figura H.

La fuente de agua debe poder proporcionar un mínimo de cinco galones de agua limpia y fría por minuto a 20PSI. Utilice únicamente una manguera de 5/8 "de diámetro interior o más grande que esté clasificada para cumplir con esta capacidad.



INFORMACIÓN GENERAL:

Combustible	Use gasolina limpia sin plomo de alta calidad (mínimo 87 octanos), que contenga hasta un 10% de etanol. No utilice combustible con alto contenido de etanol; E15 o E85.
Aceite	Aceite de motor: Use sólo SAE 1 0W-30, 0.6 Cuartos de aceite no detergente (suministrado). Bomba de Aceite: La bomba ya viene lubricada y sellada desde la fábrica y no necesita mantenimiento durante la vida útil del equipo, bajo un funcionamiento normal. No intente cambiar o añadir aceite a la bomba. Si la bomba tiene una fuga de aceite, comuníquese con nuestro departamento de servicio al cliente al número 1-855-888-3598.
Agua	Use sólo agua fría. No utilice la lavadora a presión con sin la malla del filtro de entrada de agua o si esta se encuentra obstruida. No utilice la lavadora a presión sin un suministro de agua adecuado.
Ajuste de la presión	El ajuste de la presión ha sido preestablecido desde la fábrica. Para reducir la presión, consulte "Ajuste de la Presión" en la Página 18.

INFORMACIÓN GENERAL:

Bomba de Alta Presión	No hay piezas reparables en la bomba de alta presión. No intente reparar o dar servicio a la bomba, ya que podría causar daños y anular su garantía. Si cree que la bomba necesita servicio, por favor comuníquese con nuestro departamento de servicio al cliente al 1-855-888-3598. No deje que el agua se congele en la bomba. Si el producto se almacena en un ambiente con temperaturas inferiores a 32° F, 0°C, asegúrese primero de que toda el agua sea extraída de la bomba, o que se haya utilizado un producto anticongelante para proteger la bomba adecuadamente. Si no se tiene el correcto cuidado de la bomba en condiciones de bajas temperaturas, se producirán daños y posiblemente se anulará la garantía.
Modo By-pass	Cuando suelte el disparador de la pistola, la bomba entra en modo de bypass. Es una buena práctica no dejar nunca que la bomba funcione en modo bypass durante más de 2 minutos. Es posible causar daños a la bomba.
Válvula de Alivio Térmico	La bomba está equipada con una válvula de alivio térmico. Si durante el modo de derivación el agua se sobrecalienta, esta válvula se abre liberando el agua caliente y dejando que entre agua fría en la bomba. Posteriormente, la válvula se cierra devolviendo la bomba a su funcionamiento normal. Tenga cuidado, ya que la válvula se abre sin avisar, y el agua estará caliente. Pueden producirse lesiones. Siempre mantenga las manos y los pies alejados de la válvula de alivio térmico.
Manguera de Alta Presión	No permita que las mangueras entren en contacto con el silenciador del motor durante su uso o inmediatamente después de su uso. NO intente mover el equipo tirando de la manguera de alta presión.
Motor	No ajuste o intente realizar el mantenimiento sin primero leer el manual del propietario o sin consultar a nuestro Servicio de Atención al Cliente al número 1-855-888-3598. Añada el estabilizador de combustible (no suministrado) al depósito de combustible y deje que el motor funcione durante 5 minutos antes de almacenarlo. Siempre abra el agua antes de poner en marcha el motor.
Jabón / Químicos	Use sólo jabones y detergentes químicos diseñados para el uso en lavadoras a presión. Siga siempre las instrucciones del fabricante del detergente en su envase. NO use lejía, ácido, ningún material inflamable ni disolventes industriales.
Boquilla	Mantenga siempre las boquillas limpias y desatascadas. Si la boquilla está obstruida use la aguja para la boquilla y límpiela. Use SOLO la boquilla de detergente (color negro) cuando use químicos y solventes de limpieza.
Almacenamiento / Invernaje	Deje correr agua limpia por el tanque para químicos / entrada para limpiar de cualquier residuo de detergente. Añada estabilizador a cualquier combustible que quede en el depósito. Vea la sección de MOTORES arriba. Evite que el agua se congele dentro de la bomba de presión, en la pistola rociadora, en la vara rociadora o en las mangueras.

⚠ PRECAUCIÓN: Lea el Manual



Lea todas las secciones de SEGURIDAD y CONFIGURACIÓN al inicio de este manual, incluyendo todo el texto de los subtítulos, antes de utilizar este equipo. El uso o manipulación inadecuada de la lavadora a presión puede dañar los componentes internos y acortar la vida útil del equipo. El incumplimiento de esta advertencia anulará la garantía.

Verificaciones previos al arranque

Inspeccione el motor y el equipo buscando partes dañadas, sueltas o faltantes antes de montar y ponerla en marcha. Si se encuentra algún problema, no utilice el equipo hasta que esté bien ajustado. Contacte a nuestro servicio de atención al cliente al número 1-855-888-3598.

AVISO: antes de cada uso. Antes de poner en marcha el equipo, compruebe el nivel de aceite. Su motor puede estar equipado con una “Su garantía está ANULADA” si el cárter del motor no se llena correctamente con la función de apagado por bajo nivel de aceite. Si está equipado así, el motor no arrancará con poco o ningún aceite de motor en el cárter.

1. Añadir aceite al motor

1.1 Traslade la hidrolavadora AL AIRE LIBRE y colóquela en una superficie plana y nivelada.

1.2 Asegúrese de que el motor esté parado, frío y nivelado.

1.3 Cierre la válvula de combustible.

1.4 Limpie la parte superior de la varilla y alrededor de ella. Extraiga la varilla girándola hacia la izquierda y límpiela con trapo limpio y libre de pelusas.

1.5 Coloque el embudo en el tanque de aceite.

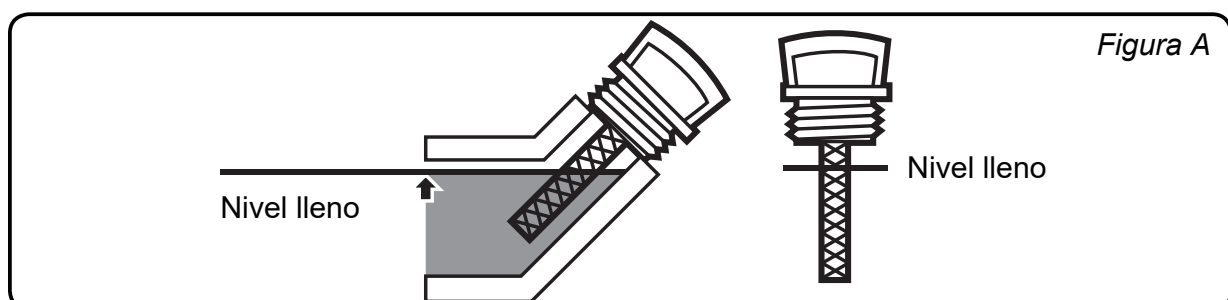
1.6 Vierta aceite de motor (para uso general, se recomienda el aceite SAE 10W-30).

NO lo llene en exceso. Consulte el manual del fabricante del motor si está disponible. Véase la sección de la figura A que muestra otras viscosidades a utilizar.

1.7 Vuelva a insertar la varilla sin enroscarla y extráigala para verificar el nivel de aceite. El nivel de aceite debe llegar hasta el nivel lleno como se muestra arriba.

1.8 Si el nivel de aceite se encuentra al nivel o por debajo de la marca inferior, añada el tipo adecuado de aceite hasta que el nivel de aceite sea el apropiado (el Diagrama de Grado SAE de Viscosidad en la página ?? de la sección MANTENIMIENTO muestra otras viscosidades para utilizar en diferentes temperatura medias).

1.9 Vuelva a colocar la varilla y ajuste bien.



Verificaciones previos al arranque (continuación)



ADVERTENCIA: Riesgo de Incendio/Explosión



El combustible y el vapor de combustible son extremadamente inflamables y explosivos. El fuego o la explosión por el mal uso del combustible pueden ocasionar quemaduras graves o incluso la muerte.

- Llene el tanque de combustible en un área bien ventilada y lejos de fuentes de ignición. Si el motor está caliente por su uso, apáguelo y espere que se enfríe antes de añadir combustible.
- No fume cerca de un tanque o contenedor de combustible abierto.
- No utilizar el combustible como se recomienda en este manual anulará la garantía.

AVISO: No utilice gasolina que haya sido almacenada en un contenedor de combustible sucio. Las partículas sucias pueden entrar en el carburador, afectando el rendimiento del motor y/o causando serios daños. Asegúrese de que el filtro del tanque de combustible esté limpio y en su lugar antes de agregar combustible al tanque.

2. Añadir combustible

- 2.1 Mueva la lavadora a presión FUERA de cualquier edificio, o estructura parcialmente cerrada, y colóquelo en una superficie plana y nivelada.
- 2.2 Limpie bien el tapón de combustible y el área alrededor de este antes de retirarlo.
- 2.3 Asegúrese de que la lavadora a presión esté APAGADA y deje que se enfríe por lo menos dos minutos antes de quitar la tapa del combustible. Desenrosque lentamente para liberar cualquier presión acumulada y retire el tapón de combustible.
- 2.4 Extraiga el filtro y retire cualquier suciedad o elemento extraño. Luego, vuelva a colocar el filtro.
- 2.5 Si es necesario, llene el tanque de combustible aproximadamente 1 pulgada por debajo de la boca de llenado del tanque de combustible con gasolina de octano 87 o superior sin plomo que haya sido tratada con un aditivo estabilizador de combustible. Siga las recomendaciones de uso del fabricante del estabilizador de combustible.
- 2.6 Vuelva a colocar el tapón de combustible, asegurándose de que esté bien cerrado.
- 2.7 Limpie cualquier combustible derramado y deje que el exceso se evapore antes de arrancar el motor. Para prevenir el FUEGO, no arranque el motor mientras perciba olor de combustible en el aire.

AVISO: hombres añadiendo combustible a la hidrolavadora; observe lo siguiente:

- NO use gasolina no aprobada como E15 o E85 (15% de etanol, 85% de etanol).
- Este es un motor de cuatro ciclos, NO mezcle el aceite con la gasolina.
- NO modifique el motor para que funcione con combustibles alternativos. Cualquier modificación en el motor anulará la garantía.

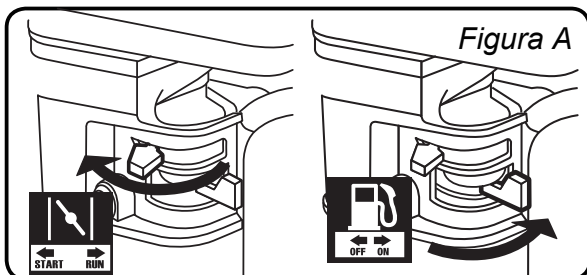
Arranque del motor

PRECAUCIÓN: Lea el manual

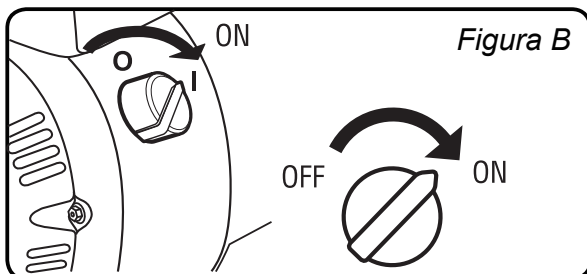
Lea toda la sección de Verificaciones previas a la puesta en marcha de este manual antes de intentar arrancar el motor. Asegúrese de inspeccionar el equipo y el motor para ver si faltan o están sueltos los protectores o las piezas. Compruebe los niveles de combustible y aceite del motor antes de poner en marcha el equipo.

- Gire la válvula de combustible para abrirla (si está equipada).
- Conecte el suministro de agua, quite la boquilla, apunte la vara rociadora en una dirección segura y mantenga presionado por lo menos 30 segundos el disparador hasta que todo el aire sea liberado del sistema.
- Luego suelte el disparador, bloquéelo en la posición de seguridad y vuelva a colocar la boquilla antes de poner en marcha el motor.
- No deje que la manija de arranque del motor se golpee contra el carcasa del motor.
- Si resulta difícil tirar de la palanca de arranque, libere la presión en la manguera presionando el disparador de la pistola.

1. Para arrancar un motor frío, coloque el obturador en posición START. Para volver a arrancar un motor caliente, deje el obturador en posición RUN. Coloque la válvula de combustible en posición ON. Ver la figura A.

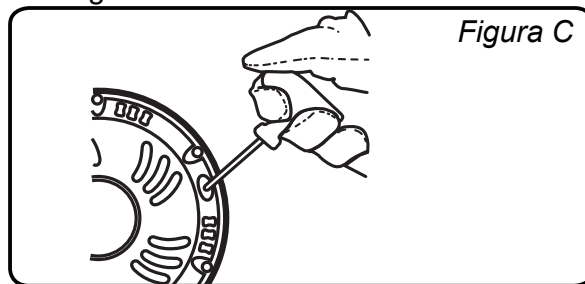


2. Ponga el interruptor del motor en la posición de encendido o I. Ver la figura B.

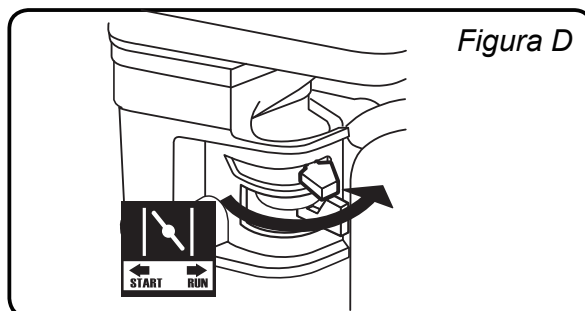


AVISO; Si el motor no arranca, compruebe el nivel de aceite del motor. Si está equipado con un apagado por bajo nivel de aceite, el motor no arrancará con nivel bajo de aceite o sin aceite. Si el nivel de aceite está bajo, consulte primero la sección AÑADIR ACEITE A MOTOR de este manual.

3. Sujete la Manija de Arranque del Motor sin apretar y tire de ella lentamente dos veces para permitir que la gasolina fluya hacia el carburador del motor. Luego tire suavemente de la manija de arranque hasta que oponga un poco de resistencia, y luego tire rápidamente para arrancar. Repita hasta que el motor arranque. Ver la figura C



4. Deje que el motor funcione por varios segundos. Luego, si la palanca del obturador se encuentra en posición START, muévala muy lentamente a su posición RUN. Ver la figura D



Uso de la hidrolavadora



ADVERTENCIA: Protección ocular / Peligro de Inyección de fluidos



Use SIEMPRE lentes de seguridad aprobadas al operar las Lavadoras a Presión. El rociador puede salpicar o propulsar objetos, incluyendo accesorios mal colocados. El chorro de agua a alta presión que produce este equipo puede cortar la piel y sus tejidos subyacentes, lo que conduce a una posible amputación. La pistola rociadora retiene una alta presión del agua, incluso cuando el motor está apagado y la fuente de agua está desconectada, lo que puede causar lesiones.

- No dirija el chorro de la Lavadora a Presión hacia ninguna persona o animal.
- Mantenga a los niños y a las mascotas lejos del área de trabajo.
- Mantenga el área de trabajo limpia de piedras, vidrios y escombros sueltos.
- El chorro de agua a alta presión podría causar lesiones graves.



ADVERTENCIA: Peligro de asfixia



Use la lavadora a presión sólo en campo abierto, en un área completamente ventilada.

- Utilice este producto SOLO en el exterior, lejos de ventanas, puertas y respiraderos.
- NO utilice este equipo dentro de casas, garajes, sótanos, entresijos o cobertizos.
- Coloque SIEMPRE este equipo a favor del viento y dirija el escape del motor lejos de los espacios o ambientes habitados.
- Si empieza a sentirse mal, cansado, mareado o débil mientras usa este equipo, apáguelo y salga DIRECTAMENTE a tomar aire fresco. Consulte a su médico, por una posible intoxicación por monóxido de carbono.

1. Seleccionando la boquilla adecuada para el trabajo.





Su producto incluye una selección de puntas de boquillas con conexión rápida. Las boquillas tienen un tamaño específico para dar la máxima presión en todo momento. Cada boquilla está marcada y clasificada en grados de abanico. También están codificadas por colores (ver tabla en la página opuesta). Cuanto más alto es el número del grado de abanico, más amplio es el patrón de abanico. Cuanto más reducido sea el abanico, más impacto tendrá en la superficie, siendo perfecto para trabajos de limpieza muy complicados.

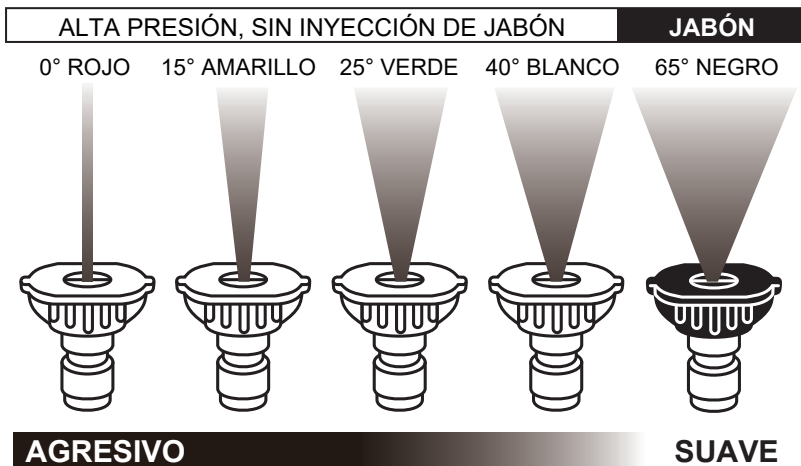
Cuanto más amplio es el abanico de rociado, más se extiende el impacto sobre la superficie, por lo que es adecuado para trabajos fáciles, o superficies blandas. Seleccionar la boquilla adecuada para el trabajo en cuestión requiere un poco de experimentación. Empiece siempre con el grado de abanico más amplio y continúe con los de menor grado hasta lograr el mejor resultado de trabajo. Siempre pruebe la boquilla en un área poco perceptible.

AVISO: No todos los modelos incluyen todas las boquillas descritas en esta sección. Utilice únicamente la información relativa a las boquillas suministradas con el equipo.

(Tabla de selección de boquillas)

PARA CONSULTA TÉCNICAS, LLAME AL NÚMERO 1-855-888-3598

				
0°	✓			
15°	✓	✓		
25°	✓	✓	✓	
40°	✓	✓	✓	✓
65°	✓	✓	✓	✓



Boquilla de 0° - Rojo: Esta boquilla libera un chorro preciso de agua presurizada y extremadamente potente. Úselo para los trabajos de limpieza más difíciles, aunque sólo cubra un área reducida. Esta boquilla sólo debe usarse sobre superficies que puedan soportar una presión alta e intensa, como el metal o el hormigón. No utilice esta boquilla para limpiar materiales como madera o superficies blandas.

15° Boquilla - Amarillo: Esta boquilla proporciona un patrón de rociado de 15 grados para una limpieza y remoción de alta resistencia. Sólo debe aplicarse en superficies que puedan soportar la presión de esta boquilla.

Boquilla 25° - Verde: Esta boquilla libera un patrón de rociado de 25 grados para trabajos comunes. Sólo debe aplicarse en superficies que puedan soportar la presión de esta boquilla.

Boquilla de 40° - Blanco: Esta boquilla libera un patrón de rociado de 40 grados para superficies fácilmente dañadas. Sólo debe aplicarse en superficies que puedan soportar la presión de esta boquilla.

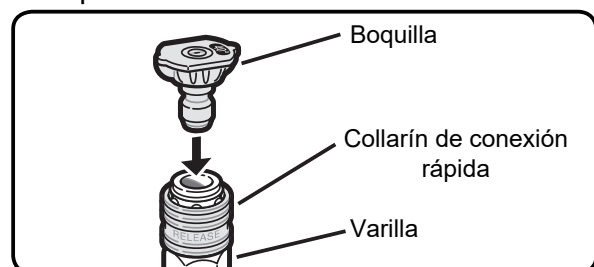
Boquilla química de 65° - Negro: Esta boquilla se utiliza para aplicar productos químicos especiales y soluciones de limpieza. Esta boquilla produce el flujo de presión más débil de todas las boquillas.

2. Conectando la Boquilla a la vara Rociadora.

⚠ ADVERTENCIA:

- Nunca coloque las manos frente a la boquilla, ni apunte la boquilla a su rostro.
- Nunca intente limpiar una boquilla obstruida mientras esté conectada a la vara rociadora.
- Nunca intente conectar o quitar la vara rociadora o los accesorios de la manguera mientras el sistema de Lavado a Presión esté presurizado.
- Apague la Lavadora a Presión. Mientras dirige el rociado en una dirección segura, libere la presión presionando el disparador. Luego bloquee el disparador de la pistola antes de intentar cambiar las boquillas de presión.

- 2.1 Para acoplar, tire del collar de conexión rápida hacia atrás, luego inserte la boquilla en la vara rociadora de desconexión rápida hembra y presione para bloquearla en su posición correcta. Asegúrese de que el collar encaje bien en su lugar.
- 2.2 Para separar, tire del collar de conexión rápida hacia atrás y tire de la boquilla para retirarla.



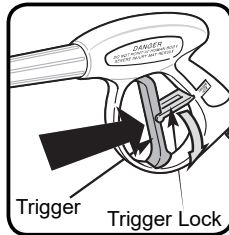
3. Uso de la pistola pulverizadora.


ADVERTENCIA:

- Para prevenir una descarga accidental de la hidrolavadora, el seguro del gatillo debe estar bloqueado cada vez que no se utilice la hidrolavadora.
- Para desbloquear el seguro del gatillo, presione el seguro hacia abajo y de vuelta a su posición de origen.

Para utilizar el gatillo:

- 3.1 Apriete el gatillo para que el agua empiece a fluir a través de la boquilla.
- 3.2 Suelte el gatillo para que el flujo de agua se detenga.



 **ADVERTENCIA:** Superficie Caliente / Peligro de Inyección de Fluidos
ALGUNAS PIEZAS DEL MOTOR PUEDEN CALENTARSE MUCHO.



No permita que la manguera de presión entre en contacto con el sistema de escape del motor, ya que puede ocasionar daños a la manguera.

Las mangueras dañadas pueden estallar y ocasionar lesiones por inyección.

4. Lavado/Limpieza.

- 4.1 Sujete firmemente la pistola de rociado con ambas manos.
- 4.2 Comience con una Boquilla de abanico de grado amplio, y gradualmente use una unidad más baja hasta que la boquilla cumpla con la tarea.
- 4.3 Apunte la boquilla hacia una dirección segura y apriete el gatillo de la pistola pulverizadora para dejar que la bomba purgue el aire y las impurezas en el sistema. Luego, vuelva a dirigir la boquilla hacia la superficie de trabajo.
- 4.4 Limpie las superficies verticales e inclinadas de arriba abajo.
- 4.5 Cuando limpie superficies horizontales, use de vez en cuando el chorro para despejar el área de agua en exceso.

- 4.6 Para una limpieza más efectiva, mantenga la boquilla del rociador de 8 a 24 pulgadas de distancia de la superficie de limpieza. Si acerca demasiado la boquilla del rociador, puede dañar la superficie que se está limpiando. No se recomienda acercarse más de 6 pulgadas cuando se limpian los neumáticos.

5. Ajuste de la presión.

- 5.1 Regule su distancia: Para cambiar el efecto de la presión sobre la superficie que se está limpiando, varíe la distancia entre la boquilla del rociador y la superficie que se está limpiando. Cuanto más cerca de la superficie, mayor es el efecto de la presión. A medida que se aleje de la superficie, se reducirá el efecto de la presión. Para tener resultados óptimos de limpieza, mantenga la boquilla entre 8 a 24 pulgadas de la superficie que se está limpiando.

6. Uso de químicos

- AVISO:** Usar sólo jabones y productos químicos diseñados para ser aplicados con una lavadora a presión. NO UTILICE BLANQUEADOR DE CLORO, ÁCIDOS O DISOLVENTES INDUSTRIALES. Los productos químicos, los jabones y los disolventes de limpieza no se extraerán cuando se utilice una boquilla de alta presión. Para rociar detergentes sólo use la Boquilla negra (de baja presión). Llene el Tanque con Detergente (si está equipado) con la solución de detergente preparada y cierre la tapa. La Lavadora a Presión extraerá un galón de detergente por cada siete galones de agua.
- 6.1 Si su Lavadora a Presión está equipada con un tanque de jabón a bordo:
 - 6.2 Llene el tanque de jabón con detergente y cierre la tapa.
 - 6.3 Cambie la boquilla de la vara rociadora por una Boquilla Negra.
 - 6.4 Ponga en marcha el motor y rocíe con jabón.
 - 6.5 Si la Lavadora a Presión no está equipada con un tanque de jabón:
 - 6.6 Asegúrese de que el Tubo de Extracción con Colador esté conectado a la punta de latón cerca del área de conexión de la

manguera de alta presión de la bomba.

- 6.7 Sumerja el extremo del colador del tubo de extracción en la botella o recipiente de solución de jabón/detergente.
- 6.8 Reemplace la boquilla por la boquilla negra.
- 6.9 Ponga en marcha el motor y rocíe con jabón.

7. Para Enjuagar

- 7.1 Reemplace la boquilla con una boquilla de alta presión adecuada (consulte "Selección de la boquilla correcta" en la página ??). Apriete el gatillo y espere que el detergente se aclare.
- 7.2 Mantenga la pistola pulverizadora a una distancia segura del área que pretender rociar.
- 7.3 Aplique una aspersion de alta presión a un área pequeña y luego verifique si hay daños en la superficie. En caso de no encontrar daños, continúe con la limpieza.
- 7.4 Para una superficie vertical, comience desde la parte superior del área a enjuagar, rociando hacia abajo con los mismos trazos superpuestos que usó para lavar y aplicar el detergente.

8. Consejos de limpieza

AVISO: Nunca utilice la entrada de agua de la hidrolavadora para succionar detergente o cera. Dejar químicos y limpiar soluciones en el interior de la bomba de presión puede dañarla. Los daños causados por dejar jabón, químicos y soluciones de limpieza en el interior de la bomba pueden anular la garantía.



ADVERTENCIA: Superficies Calientes/
Peligro de Inyección de Fluidos

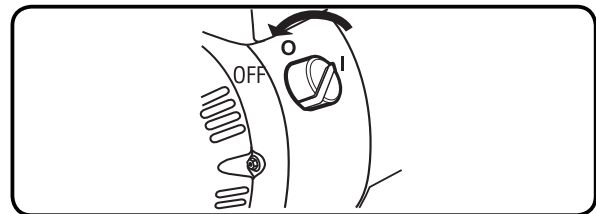


ALGUNAS PIEZAS DEL
MOTOR PUEDEN
CALENTARSE MUCHO.

Libere la presión de la manguera de alta presión antes de desconectarla de la bomba o pistola. Si va a desconectar la manguera de alta presión después de completar un lavado, recuerde evitar tocar el sistema de escape del motor mientras esté desconectando la manguera de alta presión de la bomba.

9. Detener la lavadora a presión

Si se presenta una emergencia y necesite detener el motor, ponga el interruptor del motor en la posición de apagado. En condiciones normales, aplique el siguiente procedimiento:



- 9.1 Suelte el gatillo de la manija de la pistola pulverizadora.
- 9.2 Apague el interruptor del motor.
- 9.3 Apague el suministro de agua.
- 9.4 Apriete el gatillo para liberar la presión en exceso.
- 9.5 Si se ha utilizado detergente para hidrolavadora, haga correr agua a través del sistema para eliminar residuos de detergente procediendo de la siguiente manera:
- 9.6 Apague el motor como se detalla en el paso 2.
- 9.7 Llene el tanque para detergente (No incluido) con agua limpia.
- 9.8 Extraiga la boquilla y vuelva a arrancar el motor (siguiendo las instrucciones de "Arranque del motor" en la página 15).
- 9.9 Apunte con la varilla a una dirección segura y sosténgala hacia abajo para descargar el agua a través del sistema hasta que esté limpia.
- 9.10 Ponga el interruptor del motor en la posición de apagado.

AVISO: Uso a gran altitud

En grandes altitudes de más de 3000 pies, el carburador del motor y cualquier otra pieza que controla el relación de combustible-aire se verán afectados, lo que disminuirá el rendimiento, mientras que aumentará el consumo de combustible y la emisión. Se puede garantizar el funcionamiento adecuado al instalar un equipo de altitud por parte de un mecánico capacitado cuando se utilice en una altitud mayor a 3000 pies. Consulte el equipo de altitud y las instrucciones de uso (incluido) cuando sea necesario.

AVISO: El mantenimiento regular mejorará el rendimiento y extenderá la vida útil de su Lavadora a Presión. El servicio técnico debe ser realizado por una persona calificada o un técnico.

La garantía de la hidrolavadora no cubre elementos que se hayan visto sujetos a uso indebido o negligencia por parte del usuario. Para recibir el valor completo de la garantía, únicamente se debe mantener la hidrolavadora de acuerdo con las instrucciones de este manual. Se necesitará realizar algunos ajustes periódicamente para mantener la hidrolavadora de forma adecuada. Todo servicio y ajuste se debe realizar al menos una vez en cada estación. Es importante seguir el diagrama de mantenimiento que se muestra a continuación.

Por seguridad, un técnico capacitado deberá realizar varios procedimientos de mantenimiento, incluso algunos no detallados en este manual. Si tiene dudas sobre su propia capacidad para realizar un mantenimiento seguro al equipo o al motor, mejor llame a un técnico capacitado.

Programa de mantenimiento del motor

AVISO: Este programa de mantenimiento está destinado únicamente como guía general. Si el rendimiento disminuye o si el equipo funciona de forma inusual, verifique los sistemas de inmediato. Las necesidades de mantenimiento de cada pieza del equipo variará en función de factores tales como ciclo de trabajo, temperatura, calidad del aire, calidad del combustible, entre otros.

AVISO: Los siguientes procedimientos son adicionales a las verificaciones y mantenimiento periódicos explicados como parte del funcionamiento normal del motor y del equipo.

TABLA DE MANTENIMIENTO DEL MOTOR

ARTÍCULO	TAREA	CADA USO	3 MESES	6 MESES	1 AÑO
ACEITE DE MOTOR	Comprobar el Nivel	X			
	Reemplazar			X*	
FILTRO DE AIRE	Revisión	X			
	Limpieza		X		
	Reemplazar			X*	
BUJIA DE CHISPA	Limpiar, ajustar			X**	
	Reemplazar				X* **
PARACHISPAS	Limpieza			X	

* Se recomienda realizarlo con mayor frecuencia si se utiliza en un entorno polvoriento.

** Ajustar la abertura a 0,6 – 0,7mm

Mantenimiento de la bomba

AVISO: La bomba de presión no necesita mantenimiento. En caso de notar alguna señal de filtración del aceite dentro o alrededor de la bomba, NO utilice la hidrolavadora. Contacte a nuestro Servicio al Cliente llamando al 1-855-888-3598.

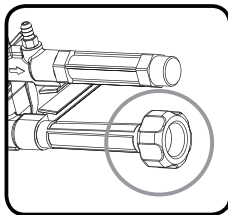
Limpieza de la boquilla:

De manera periódica, la varilla del pulverizador puede obstruirse debido a elementos extraños, tal como la suciedad. Cuando esto sucede, se puede desarrollar un exceso de presión. Cada vez que la boquilla de presión se obstruya parcialmente, la presión de la bomba vibrará. Se debe limpiar de inmediato.

1. Asegúrese de que la hidrolavadora esté apagada y de que el seguro del gatillo de la pistola pulverizadora esté bloqueado.
2. Retire la boquilla del pulverizador de alta presión de la varilla del pulverizador. Mediante la aguja de limpieza de la boquilla (incluido), retire cualquier obstrucción insertando y moviendo con cuidado la aguja hacia atrás y adelante del orificio de la boquilla con agua limpia.
3. Luego de limpiar, retire la aguja de la boquilla y almacénela para su uso posterior.
4. Vuelva a conectar la boquilla de presión a la varilla del pulverizador.

Limpieza de la malla de filtro de entrada del agua:

La entrada de agua de la bomba tiene un filtro de malla que debe ser revisada periódicamente y limpiada si es necesario.



- Desconecte la manguera de entrada de agua.
- Retire el filtro agarrando el extremo y tirando directamente hacia fuera.
- Use agua para limpiar el filtro de malla enjuagando ambos lados.
- Inserte el filtro de malla de nuevo dentro de la entrada de agua.

AVISO: No utilice la lavadora a presión sin el filtro correctamente colocado en la entrada de agua.

Limpieza de la hidrolavadora

Las inspecciones diarias o antes de su uso deben incluir las áreas alrededor y por debajo de la hidrolavadora, en busca de señales de fuga de combustible o de aceite. En caso de encontrar filtración, se debe efectuar un mantenimiento preventivo. Asegúrese de que todos los acoplamientos, resortes y demás controles del motor se mantengan limpios. Inspeccione las ranuras y aberturas para aire de enfriamiento de la hidrolavadora. Las aberturas deben mantener limpias y sin obstrucciones para obtener el rendimiento máximo de la hidrolavadora. Los componentes del motor se deben mantener limpios para reducir el riesgo de recalentamiento e ignición de residuos acumulados.

- Utilice un paño húmedo para limpiar las superficies exteriores.
- Utilice un cepillo con cerdas delicadas para aflojar incrustaciones de suciedad o aceite.
- Utilice una aspiradora industrial para recoger cualquier suciedad o residuo suelto.

Cambio de aceite del motor



ADVERTENCIA: Superficies Calientes



El aceite se calentará mucho durante la operación y puede causar quemaduras graves. Antes de cambiar el aceite del motor, apague el motor y espere 30 minutos, para asegurarse de que el aceite del motor se haya enfriado.

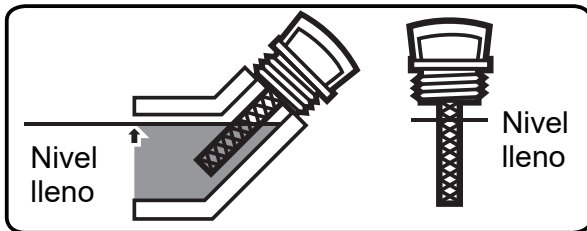
1. Drenaje del Aceite del Motor:

1. Asegúrese de que el motor esté apagado, frío y en una superficie plana.
2. Cierre la Válvula de Combustible.
3. Coloque una bandeja (no incluida) debajo del tapón de drenaje del cárter, situado en la parte inferior del motor.
4. Limpie la parte superior de la varilla y el área alrededor de ella. Quite la varilla medidora girándola en sentido contrario a las agujas del reloj, y límpiela con un trapo limpio libre de pelusas.

PARA CONSULTA TÉCNICAS, LLAME AL NÚMERO 1-855-888-3598

5. Retire el tapón de drenaje y, si es posible, incline ligeramente el cárter para evacuar el aceite hacia el recipiente. Recicle el aceite usado.
6. Vuelva a colocar el tapón de drenaje y ajústelo.

2. Añadir aceite al motor:

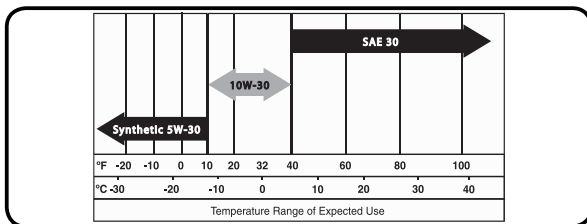


1. Coloque el equipo en una superficie plana y nivelada.
2. Agregue la cantidad necesaria de aceite nuevo y limpio para motor en el cárter del cigüeñal (0,6 cuartos de galón), utilizando la siguiente tabla para determinar la viscosidad correcta.
3. Vuelva a colocar la varilla medidora en el agujero, pero no la enrosque. Quite la varilla para confirmar el nivel de aceite. Vuelva a colocar la varilla medidora y ajústela con los dedos, NO UTILICE una herramienta para ajustarla. Si se ajusta demasiado, se romperá o dañará el hilo de la varilla.

AVISO: Todo el aceite debe cumplir como mínimo con la clase de servicio del Instituto Americano del Petróleo (API) SJ, SL o mejor. No use aditivos especiales. Seleccione el grado de viscosidad del aceite según la temperatura de operación esperada.

(Ver el cuadro a continuación)

- Por encima de 40° F, use 10W-30
- Entre 40° F y 10° F, use 10W-30
- Por debajo de 10° F, use aceite sintético 5W-30

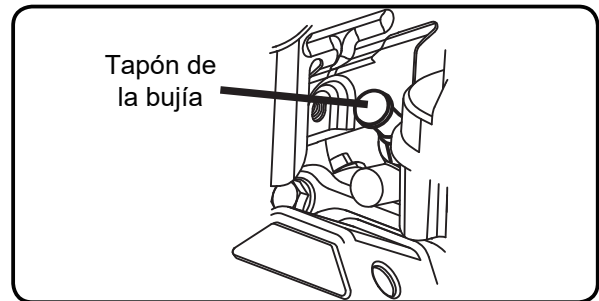


AVISO: No ponga en marcha el motor cuando tenga muy poco aceite. Si el equipo cuenta con la función de Apagado por Bajo nivel de Aceite, el motor no arrancará con nada o bajo nivel de aceite para motor.

PARA CONSULTA TÉCNICAS, LLAME AL NÚMERO 1-855-888-3598

Mantenimiento de la bujía:

1. Quite el tapón de la bujía desde el extremo de la bujía. Limpie los residuos alrededor de la bujía.
2. Con una llave para bujías, extraiga la bujía.
3. Inspeccione la bujía:
 - Si el electrodo tiene aspecto aceitoso, límpielo con un trapo limpio y seco.
 - Si hay depósitos sobre el electrodo, púlalo con una lija.
 - Si el aislante blanco está rajado o cascado, deberá reemplazar la bujía



BUJÍAS RECOMENDADAS

CHAMPION	RA6HC
NGK	DPCR63

AVISO: El uso de una bujía incorrecta puede dañar el motor. NO ajuste demasiado la bujía, o las roscas del motor podrían sufrir daños.

4. Al instalar una bujía nueva, ajuste el espacio de la bujía de acuerdo a lo que indica el diagrama de Especificaciones. No haga palanca contra el electrodo; la bujía podría dañarse.
 - Instale en el motor la nueva bujía o la bujía que ha limpiado.
 - De tipo junta - Ajuste con el dedo hasta que la junta entre en contacto con la cabeza del cilindro; luego, un 1/2-2/3 de vuelta más.
5. No de tipo junta - Ajuste con el dedo hasta que el tapón entre en contacto con la cabeza; luego, un 1/16 de vuelta más.
6. Vuelva a colocar la tapa de la bujía de forma segura.


Mantenimiento del limpiador de aire:


1. Quite la tapa del filtro de aire y el filtro de aire para verificar si tiene suciedad. Limpie de la manera que se describe a continuación.
2. Limpieza:
 - Para filtros de papel: Para evitar lesiones ocasionadas por el polvo y los residuos, utilice gafas de seguridad aprobadas por el ANSI, máscara antipolvo/respiratoria aprobada por el Instituto Nacional para la Seguridad y Salud Ocupacional (NIOSH) y guantes de trabajo de alta resistencia. En un área bien ventilada y alejada de los circunstantes, utilice aire presurizado para quitar el polvo del filtro de aire. Si con este procedimiento el filtro no queda limpio, reemplácelo.
 - Para filtros de espuma: Lave el filtro varias veces con agua tibia y detergente suave. Enjuague. Escurra el exceso de agua y permita que se seque completamente. Sumerja brevemente el filtro en aceite liviano; luego, escurra el exceso de aceite.
3. Instale el filtro que ha limpiado. Antes de utilizar, ajuste la tapa del filtro de aire.

Almacenamiento a largo plazo

Cuando no vaya a utilizar el equipo por más de 20 días, prepare el motor para almacenarlo de la siguiente manera:

1. Limpieza. Deje que el motor se enfríe; luego, límpielo con un trapo seco.

 **ADVERTENCIA:** Peligro de Incendio/Explosión

 La gasolina y sus vapores son extremadamente inflamables y explosivos, además generan riesgos de quemaduras, incendios o explosiones con resultado de muerte o lesiones graves. Llene el tanque de combustible sólo en áreas bien ventiladas y lejos de las fuentes de ignición. Si el motor se calienta demasiado, apáguelo y espere a que se enfríe antes de añadir más combustible. No fume, ni provoque fuego abierto cerca del combustible, o del área de recarga de combustible.


2. Combustible. La gasolina puede caducar cuando se almacena por más de 30 días, lo que provocará la formación de depósitos de ácido y goma en el sistema de


combustible o en piezas importantes del carburador. Para mantener el combustible en buenas condiciones, agregue un estabilizador de combustible al tanque de combustible. El drenaje de la gasolina es innecesario si el estabilizador de combustible se utiliza de acuerdo con las instrucciones que vienen con él. Ponga en marcha el motor de la lavadora a presión por un tiempo mínimo de cinco minutos, después de que se añada el estabilizador al combustible, para permitir que circule por todo el motor. El motor y el combustible pueden ser almacenados hasta 24 meses.

AVISO: Asegúrese de tener el agua conectada a la bomba cuando ponga en marcha el motor para cualquier propósito.

Lubricación

1. Para brindar protección contra la formación de óxido durante su almacenamiento, aplique aceite al diámetro del cilindro.
2. Cambie el aceite del motor.
3. Limpie el área alrededor de la bujía. Quite la bujía y vierta aproximadamente 1/2 oz (15 ml) de aceite para motor limpio en el cilindro a través de la bujía.
4. Vuelva a colocar la bujía, pero no conecte su tapón.
5. Tire de la manija del arrancador para distribuir el aceite en el cilindro. Deténgase después de una o dos revoluciones, cuando sienta que el pistón inició la carrera de compresión (es decir, cuando comience a sentir resistencia).

 **ADVERTENCIA:** Fuego / Descarga Eléctrica

 Las chispas no intencionales pueden ocasionar un incendio o choque eléctrico. El incumplimiento de esta advertencia puede ocasionar daños graves a la propiedad, quemaduras graves o incluso la muerte.

Desconecte el cable de la bujía, tape la punta con cinta aislante y coloque el cable en donde no pueda entrar en contacto con la bujía ni con el marco de la hidrolavadora.

Almacenamiento de los accesorios

La máquina de Lavado a Presión está equipada con compartimentos para guardar sus accesorios como se muestra (ver diagrama en la página 8).

1. Coloque la Pistola en el Portapistolas.
2. Coloque las boquillas en el panel superior.
3. Enrolle y ate la Manguera de Presión, luego cuélguela en el gancho de la manguera.

Preparación de la bomba

1. Desconecte la manguera de alta presión y la manguera de suministro de agua de la bomba.
2. Jale la empuñadura de la cuerda de arranque varias veces para expulsar el agua de la bomba.

AVISO: Es normal que se expulse agua tanto por la entrada como por la salida de la bomba durante este ejercicio.

Área de almacenamiento

Cubra y guarde en un área seca, uniforme y bien ventilada, lejos del alcance de los niños. Además, el área de almacenamiento debe estar alejada de fuentes de ignición, tales como calentadores de agua, secadoras de ropas y calderas.

Preparación para su uso luego de almacenarlo

1. Jale la cuerda de arranque lentamente unas cuantas veces para limpiar el aceite del cilindro o para expulsar cualquier protector de la bomba que pueda haber sido añadido antes del almacenamiento.
2. Retire la bujía del cilindro. Limpie el aceite de la bujía y devuélvalo al cilindro y vuelva a ajustarlo.
3. Vuelva a conectar el cable de la bujía.
4. Vuelva a recargar combustible al motor de acuerdo con las instrucciones anteriores indicadas en este manual.

**PRECAUCIÓN:** Lugar de almacenamiento en frío

- Si el equipo está expuesto a temperaturas inferiores a 32° F / 0° C durante el almacenamiento, se requiere el uso de un producto de protección de la bomba (no incluido). Utilice un producto de protección de la bomba según las instrucciones del fabricante para la protección de la bomba.
- Si no se prepara adecuadamente la bomba para estar expuesta a bajas temperaturas, se dañará la bomba y se anulará la garantía.

Solución de problemas

Problema	Posibles causas	Posibles soluciones
El motor no arranca.	No hay suficiente combustible en el tanque o la válvula de combustible está en posición "OFF".	Llene el depósito de combustible con gasolina nueva de 87 + octanos sin plomo tratada con estabilizador y gire la válvula de combustible a la posición "ON". No utilice gasolina con más de un 10% de etanol (E15, E20, E85, etc.).
	Gasolina de baja calidad, vencida, sucia o deteriorada.	Drene el tanque de combustible y el carburador; rellene con combustible nuevo.
	El estrangulador no está en posición de ARRANQUE, el motor está frío.	Mueva el estrangulador a la posición de ARRANQUE.
	El carburador no está preparado.	Tire de la Empuñadura de Arranque para prepararlo.
	Pasos de combustible sucios en el carburador.	Limpie los pasos con un aditivo para el combustible. Los sedimentos pesados pueden requerir una mayor limpieza.
	La aguja del carburador está atascada.	Golpee suavemente el parte lateral de la cámara de flotación del carburador con el mango de un destornillador.
	Demasiado combustible en el cilindro. Esto puede ser causado por la aguja del carburador pegada.	Gire el estrangulador a la posición de MARCHA. Quite la bujía y jale la manija de arranque varias veces para ventilar la cámara. Vuelva a instalar la bujía y ponga el estrangulador en posición de ARRANQUE.
	La válvula de admisión está atascada abierta o cerrada.	Comuníquese con el servicio de atención al cliente al número: 1-855-888-3598.
	Filtro de Combustible Obstruido.	Reemplace el Filtro de Combustible.
	La tapa de la bujía no está asegurado	Conecte la tapa de la bujía correctamente.
	El electrodo de la bujía está mojado o sucio.	Limpie la bujía.
	Espacio de bujías incorrecto	Ajuste la separación de la bujía a 0,6 –0,7mm
	El tapón de la bujía está roto.	Reemplace el tapón de la bujía
	Tiempo de chispa incorrecto o un sistema de ignición defectuoso.	Comuníquese con el servicio de atención al cliente al número: 1-855-888-3598.
	El cilindro no está lubricado. (se presenta este problema debido a largos períodos de almacenamiento).	Vierta una cucharada de aceite en el agujero de la bujía. Arranque el motor unas cuantas veces e intente arrancar de nuevo.

PARA CONSULTA TÉCNICAS, LLAME AL NÚMERO 1-855-888-3598

Solución de problemas continuación Problema Posibles causas

Problema	Posibles causas	Posibles soluciones
El motor no arranca. (cont).	Bujía suelta o rota. (Se producirá un ruido parecido a un silbido cuando se intente arrancar.)	Ajuste la bujía. Si eso no funciona, cambie la bujía. Si el problema persiste, puede tener un problema con la junta de la cabeza.
	Cabeza de cilindro suelta o junta de cabeza dañada. (Se producirá un ruido como un silbido cuando se intente arrancar.)	Ajuste la cabeza. Si eso no soluciona el problema, eemplace la junta de la cabeza
	Las válvulas del motor o los taqués están mal ajustados o atascados.	Comuníquese con el servicio de atención al cliente al número: 1-855-888-3598.
	Bajo nivel de aceite en el motor.	Rellene el motor con aceite hasta el nivel adecuado.
	Equipo ubicado en pendiente o en superficie no nivelada, provocando el apagado por bajo nivel de aceite.	Traslade el equipo a una superficie nivelada.
El motor "tironea" o se tambalea	El carburador está funcionando con mezcla demasiado rica o demasiado pobre.	Comuníquese con el servicio de atención al cliente al número: 1-855-888-3598.
	Filtro de combustible obstruido o sucio.	Limpie o reemplace el filtro de combustible.
El motor carece de potencia	La compresión del cilindro es baja.	Comuníquese con el servicio de atención al cliente al número: 1-855-888-3598.
	Filtro de aire sucio.	Limpie o reemplace el filtro de combustible.
El motor falla	Tapa de bujía suelta.	Revise todas las conexiones de los cables.
	Bujía incorrecta o defectuosa.	Reemplace la bujía.
	Tapa de bujía defectuosa.	Reemplace el tapón de la bujía.
	Gasolina vencida o de baja calidad.	Use sólo gasolina sin plomo tratada con estabilizador de 87+ octanos. No utilice gasolina con más de un 10% de etanol (E15, E20, E85, etc.).
	Compresión incorrecta.	Comuníquese con el servicio de atención al cliente al número: 1-855-888-3598.
El motor se para repentinamente	Depósito de combustible vacío o lleno de gasolina impura o de baja calidad.	Llene el depósito de combustible con gasolina nueva sin plomo de 87+ octanos tratada con estabilizador. No utilice gasolina con más de un 10% de etanol (E15, E20, E85, etc.).
	Se apaga por bajo nivel de aceite.	Rellene el motor con aceite hasta el nivel adecuado.

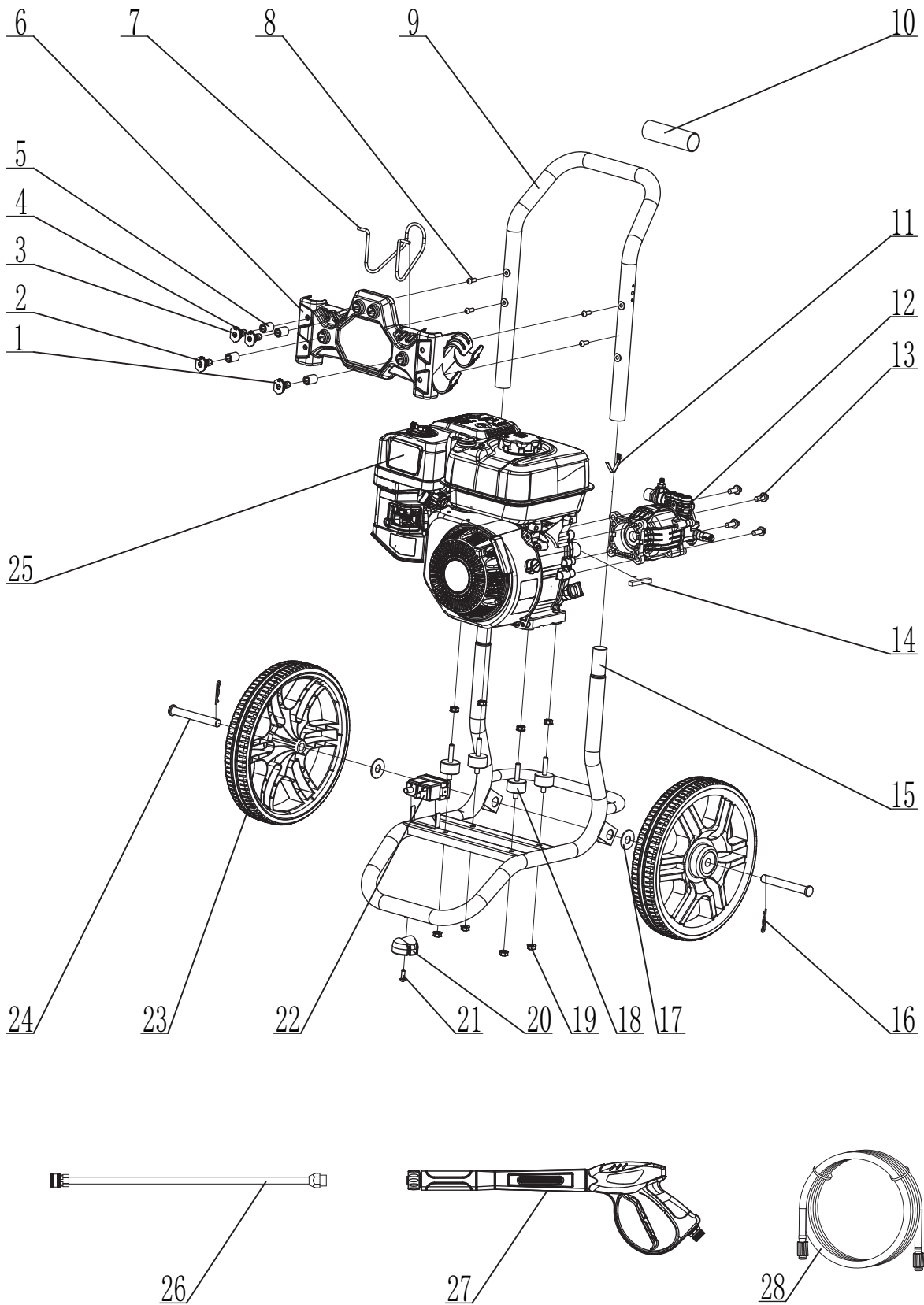
PARA CONSULTA TÉCNICAS, LLAME AL NÚMERO 1-855-888-3598

El motor se para repentinamente (cont).	Tapa del tanque de combustible defectuosa causando vacío, impidiendo el flujo adecuado de combustible.	Pruebe/reemplace la tapa del tanque de combustible.
	Magneto defectuoso.	Comuníquese con el servicio de atención al cliente al número: 1-855-888-3598.
	Tapa de bujía desconectada o mal conectada.	Asegure la tapa de la bujía.
Parada de motor bajo una carga pesada	Filtro de aire sucio	Limpie o reemplace el elemento filtrante.
	El motor está frío.	Deje que el motor se caliente antes de operar el equipo.
El motor golpea	Gasolina vencida o de baja calidad.	Use sólo gasolina sin plomo tratada con estabilizador de 87+ octanos. No utilice gasolina con más de 10% de etanol (E15, E20, E85, etc.).
	Motor sobrecargado.	No exceda la capacidad de carga del equipo.
	Tiempo de chispa incorrecto, acumulación de depósitos, motor desgastado u otro problema mecánico.	Comuníquese con el servicio de atención al cliente al número: 1-855-888-3598.
El motor petardea	Gasolina impura o de baja calidad.	Use sólo gasolina sin plomo tratada con estabilizador de 87+ octanos. No utilice gasolina con más de un 10% de etanol(E15, E20, E85, etc.).
	El motor está demasiado frío.	Deje que el motor se caliente antes de operar el equipo.
	Válvula de admisión atascada o motor sobrecalentado.	Comuníquese con el servicio de atención al cliente al número: 1-855-888-3598.
	Sincronización incorrecta del motor.	
Sin presión o con baja presión	No hay ninguna boquilla insertada en el conector rápido de la vara rociadora	Ver "Selección de la boquilla correcta" en la página 16.
	Suministro de agua inadecuado.	El suministro de agua debe ser de 5 GPM a 20 PSI como mínimo.
	La conexión de la manguera tiene fugas	Revise y ajuste todas las conexiones de las mangueras
	La boquilla está obstruida	Boquilla de limpieza (Ver "Boquilla de Limpieza" en la Página 20).
	Filtro de entrada de agua obstruido.	Retire y limpie la malla del filtro.
	Aire en la manguera.	Apriete el disparador para quitar el aire.
	Palanca de estrangulamiento en posición "INICIAR".	Mueva el estrangulador a la posición "ARRANCAR".

PARA CONSULTA TÉCNICAS, LLAME AL NÚMERO 1-855-888-3598

Solución de problemas continuación

Problema	Posibles causas	Posibles soluciones
La presión de salida varía	No hay suficiente suministro de agua.	Revise la manguera de suministro de agua para ver si está torcida, tiene fugas o está bloqueada. Abra el grifo o valvula por completo.
	El filtro de la entrada de agua está obstruido.	Retire y limpie la malla del filtro.
	La boquilla está obstruida.	Boquilla de limpieza (Ver "Boquilla de Limpieza" en la Página 20).
	La boquilla tiene acumulación de minerales	Quite la boquilla y límpiela con vinagre.
Fuga de agua o aceite en la bomba	Conexiones sueltas.	Check and tighten all connections.
	Juntas tóricas gastadas o rotas.	Comuníquese con el servicio de atención al cliente al número: 1-855-888-3598.
	El cabezal de la bomba o los tubos están dañados por bajas temperaturas.	
No hay ingreso de detergente	La manguera de detergente no está correctamente conectada al equipo.	Empuje firmemente sobre el accesorio del inyector.
	La manguera del inyector de jabón se ha roto o partido.	Reemplace la manguera.
	Boquilla incorrecta.	Cambie a la boquilla negra de JABÓN.
	Inyector apagado.	Encienda el inyector
	Colador de la manguera de inyección obstruido	Limpie la manguera y el colador.
	Boquilla bloqueada.	Limpie la boquilla.
	Detergente seco en el inyector.	Se disuelve haciendo correr agua caliente a través de la manguera de inyección. Haga pasar agua limpia por el inyector hasta que esté limpia.
Fuga de agua en la conexión de la pistola y la vara	Conexión de manguera suelta.	Revise y ajuste todas las conexiones.
	Junta tórica desgastada, rota o faltante.	Comuníquese con el servicio de atención al cliente al número: 1-855-888-3598.



PARA CONSULTA TÉCNICAS, LLAME AL NÚMERO 1-855-888-3598

Parte	Descripción	Cant.
1	Boquilla	1
2	Boquilla 0 °	1
3	Boquilla 25 °	1
4	Boquilla 40 °	1
5	Asiento fijo de boquilla	4
6	Panel de boquillas	1
7	Gancho para manguera	1
8	Pernos de cabeza hueca	4
9	Mango de tubo	1
10	Cubierta de pistola	1
11	Acortar	2
12	Bomba de plato oscilante	1
13	Pernos de brida	4
14	Llave plana	1
15	Fram Assy	1
16	Clip de bloqueo	2
17	Arandela plana	2
18	Asiento amortiguador	4
19	Tuerca de brida	8
20	Soporte amortiguador	1

Parte	Descripción	Cant.
21	Pernos de cabeza hueca	1
22	Tanque de carbono	1
23	Conjunto de ruedas	2
24	Axel	1
25	Motor	1
26	Varita mágica	1
27	Pistola	1
28	Manguera de alta presión	1

**GARANTÍA LIMITADA
GUARDE SU COMPROBANTE.**

Se le solicitará el comprobante de compra para fundamentar cualquier reclamo de garantía.

LO QUE ESTÁ CUBIERTO:

A-iPower Corp. le garantiza al comprador minorista original en los Estados Unidos de América, o Canadá, que este equipo no presenta defectos en el material y la manufactura y acepta, bajo las instrucciones de A-iPower Corp., reparar, suministrar piezas de repuesto o sustituir (sin cargo por piezas o mano de obra) cualquier producto o componente con un defecto material durante un período de 2 años a partir de la fecha de compra, excepto en los casos que se limitan a continuación. El servicio de garantía y las piezas de recambio están garantizadas sólo durante la duración de la garantía del producto original. Todas las piezas o productos sustituidos pasan a ser propiedad de A-iPower Corp. Este equipo también está cubierto por una Garantía del Sistema de Control de Emisiones que es independiente y adicional a la garantía.

Garantía

Garantía limitada de A-iPower - 2 años residenciales y 1 año comercial La garantía residencial de 2 años se aplica de la siguiente manera: 1er año de Piezas y mano de obra / 2do año SOLAMENTE de Piezas. Gracias por elegir los productos A-iPower. Para asegurar el registro adecuado de la garantía de su producto, deberá enviarnos el registro de la garantía junto con el comprobante de compra dentro de los 10 días siguientes a la fecha de compra, esto se puede realizarse mediante:

- A. Completando el formulario de registro de garantía al final de este manual y enviándolo por correo a:
- B. Visite nuestra web: www.a-ipower.com y haga clic en el icono de registro del producto.

A-IPOWER CORP
10887 COMMERCE WAY UNIT A
FONTANA CA 92337 USA

Plazo de Garantía

A-iPower proporcionará garantía para cualquiera de sus productos adquiridos a través de cualquier distribuidor autorizado de A-iPower en América del Norte al comprador original y estará garantizada contra defectos de material o manufactura por un período de dos (2) años para uso del Consumidor a partir de la fecha de compra, sujeto a las exclusiones indicadas en el presente documento. Las solicitudes comerciales y de alquiler están garantizadas por un período de un (1) año a partir de la fecha de compra.

"Uso del consumidor" - uso doméstico residencial por un consumidor minorista.

"Uso comercial" - todo otro uso - comercial, empresarial, industrial o de alquiler.

¿Cómo obtener el servicio de garantía?

Comuníquese con nuestro Departamento de Servicio al Cliente 855-888-3598 o envíe un e-mail a support@a-ipower.com. Tenga la información necesaria a la mano- Número de Modelo, Número de Serie, Comprobante de Compra.

NO DEVUELVA EL PRODUCTO AL LUGAR DE COMPRA

El Departamento de Atención al Cliente de A-iPower le asistirá y ayudará con todas las dudas relacionadas con el producto y ayudará a resolver problemas y enviará las piezas de repuesto que sean necesarias mientras el producto esté dentro del período de garantía sin cargo alguno. Si no se encuentra solución al problema, el Departamento de Atención al Cliente de A-iPower, a su discreción, determinará y autorizará el diagnóstico y la reparación a través de uno de sus Centros de Servicio autorizados. A-iPower Corp a su discreción puede elegir proporcionar el reemplazo de la pieza, componente o producto. El servicio o la sustitución de piezas en cualquier centro de reparación no autorizado sin autorización previa no estarán cubiertos por esta garantía.

Exclusiones de la garantía

Esta garantía no cubre lo siguiente:

Desgaste y mantenimiento regular: esta garantía no cubrirá la reparación cuando el uso normal haya agotado la vida útil de una o varias piezas o del motor.

Instalación y mantenimiento: esta garantía no cubre el montaje inadecuado o no autorizado, la alteración, la modificación o cualquier otro daño resultante del mal uso o la negligencia.

Piezas de mantenimiento normal: esta garantía no cubre las bujías, los filtros de aire, los ajustes u otros servicios relacionados debido a obstrucciones y otras acumulaciones resultantes de un mantenimiento deficiente.

Exclusiones adicionales: esta garantía no cubre las piezas desgastables, como filtros, bujías, juntas tóricas, baterías, etc. No cubre ningún defecto cosmético como las rayaduras en la pintura, las calcomanías, etc. No cubre ningún daño resultante del uso de piezas no originales del fabricante, ni del uso de piezas de recambio. No cubre ningún fallo debido a actos de Dios y otros eventos de fuerza mayor fuera del control del fabricante.

Límites de la garantía e implicaciones y daños consecuentes

A-iPower no está sujeto a cubrir ninguna pérdida de tiempo, uso del producto, costo de flete, o cualquier otro reclamo incidental o consecuente del uso de este producto. Esta garantía sustituye a todas las demás garantías, expresas o implícitas.

Esta garantía le da derechos legales específicos que varían de un estado a otro.

DIRECTRICES PARA LA DEVOLUCIÓN DE MERCANCÍA

- Todos los productos deben ser devueltos en su embalaje original o equivalente. No se aceptarán devoluciones mal empaquetadas.
- Debe tener un embalaje adecuado para ser transportado.
- La Ley Federal requiere que todas las máquinas que utilizan gasolina, aceite u otros líquidos inflamables deben ser extraídos completamente y a fondo del equipo antes de su envío.
- Los tapones de gasolina y los tapones de aceite deben dejarse abiertos durante 24 horas antes de despachar la mercancía. Tenga en cuenta: la responsabilidad de la vulneración de la ley recae en el remitente del envío.
- Devuélvalo a la dirección indicada en la autorización de devolución, utilizando el servicio de paquetería requerido.

Las unidades devueltas sin autorización no serán admitidas.

- Nota: No se concederán reembolsos para los artículos que hayan sido modificados o dañados por abuso o uso no conforme a las instrucciones del equipo.

PARA CONSULTA TÉCNICAS, LLAME AL NÚMERO 1-855-888-3598



Fontana, CA 92337, USA

Phone: 1-855-888-3598

support@a-ipower.com

www.a-ipower.com

Hecho en China



FORMULARIO DE REGISTRO DE LA GARANTÍA A-IPOWER

Registre su producto enviando este formulario a support@a-ipower.com o regístrese en línea en: www.a-ipower.com.

Registrar su producto es importante, ya que proporciona las siguientes protecciones:

1. Tiene registro del producto adquirido.
2. El servicio al cliente hará lo mejor para atender sus problemas relacionados con la garantía
3. Nos pondremos en contacto con usted en el improbable caso de que sea necesaria una notificación.

Información del Cliente:

Nombre: _____

Teléfono: _____

Email: _____

Dirección: _____

Ciudad, Estado: _____

Código Postal: _____

Fecha de compra: _____

Información del Producto:

Número
de
serie #

de
Modelo #

El número de serie está ubicado en el motor.
TENGA EN CUENTA: su generador no puede registrarse sin el número de modelo y de serie.

1. EL PRODUCTO FUE COMPRADO PARA: A. limpieza residencial
B. Otros _____

2. ESTE PRODUCTO ES UN: (seleccione uno)
A. Compra por primera vez B. Reemplazo

3. CÓMO CONOCIÓ ESTE PRODUCTO POR PRIMERA VEZ: (seleccione uno)
- | | |
|--|---|
| A. <input type="checkbox"/> Radio | G. <input type="checkbox"/> Correo directo |
| B. <input type="checkbox"/> Exhibición en tienda | H. <input type="checkbox"/> De amigos/familiar/vecino |
| C. <input type="checkbox"/> Contratista | I. <input type="checkbox"/> Internet |
| D. <input type="checkbox"/> Feria | J. <input type="checkbox"/> Otros _____ |

4. POR FAVOR CALIFIQUE SU NIVEL DE SATISFACCIÓN SELECCIONADO LOS SIGUIENTES NÚMEROS:

	Completamente satisfecho				Nada satisfecho
	5	4	3	2	1
Valor del producto por el precio pagado	<input type="checkbox"/>	<input type="checkbox"/>	<input type="checkbox"/>	<input type="checkbox"/>	<input type="checkbox"/>
Rendimiento	<input type="checkbox"/>	<input type="checkbox"/>	<input type="checkbox"/>	<input type="checkbox"/>	<input type="checkbox"/>
Características	<input type="checkbox"/>	<input type="checkbox"/>	<input type="checkbox"/>	<input type="checkbox"/>	<input type="checkbox"/>
Apariencia del producto	<input type="checkbox"/>	<input type="checkbox"/>	<input type="checkbox"/>	<input type="checkbox"/>	<input type="checkbox"/>
Garantía	<input type="checkbox"/>	<input type="checkbox"/>	<input type="checkbox"/>	<input type="checkbox"/>	<input type="checkbox"/>
Comodidad de mantenimiento	<input type="checkbox"/>	<input type="checkbox"/>	<input type="checkbox"/>	<input type="checkbox"/>	<input type="checkbox"/>
Nivel de ruido	<input type="checkbox"/>	<input type="checkbox"/>	<input type="checkbox"/>	<input type="checkbox"/>	<input type="checkbox"/>

5. ¿ES POSIBLE RECOMENDAR A-IPOWER A SU FAMILIA O AMIGOS?
- | | Extremadamente probable | | | | No es probable en absoluto |
|--|--------------------------|--------------------------|--------------------------|--------------------------|----------------------------|
| | 5 | 4 | 3 | 2 | 1 |
| | <input type="checkbox"/> | <input type="checkbox"/> | <input type="checkbox"/> | <input type="checkbox"/> | <input type="checkbox"/> |

Declaración de privacidad: A-ipower se compromete a respetar su privacidad y a cumplir con las normas sobre la protección de información privada. Los datos de la encuesta que recopilamos son utilizados para fines de marketing o soporte de productos e información demográfica relacionado a los clientes que registran sus productos.



Fontana, CA 92337, USA

Phone: 1-855-888-3598

support@a-ipower.com

www.a-ipower.com

Hecho en China



MANUEL DU PROPRIÉTAIRE ET INSTRUCTIONS D'UTILISATION

LAVEUSE À PRESSION À ESSENCE

2700 PSI, 2.3 GPM

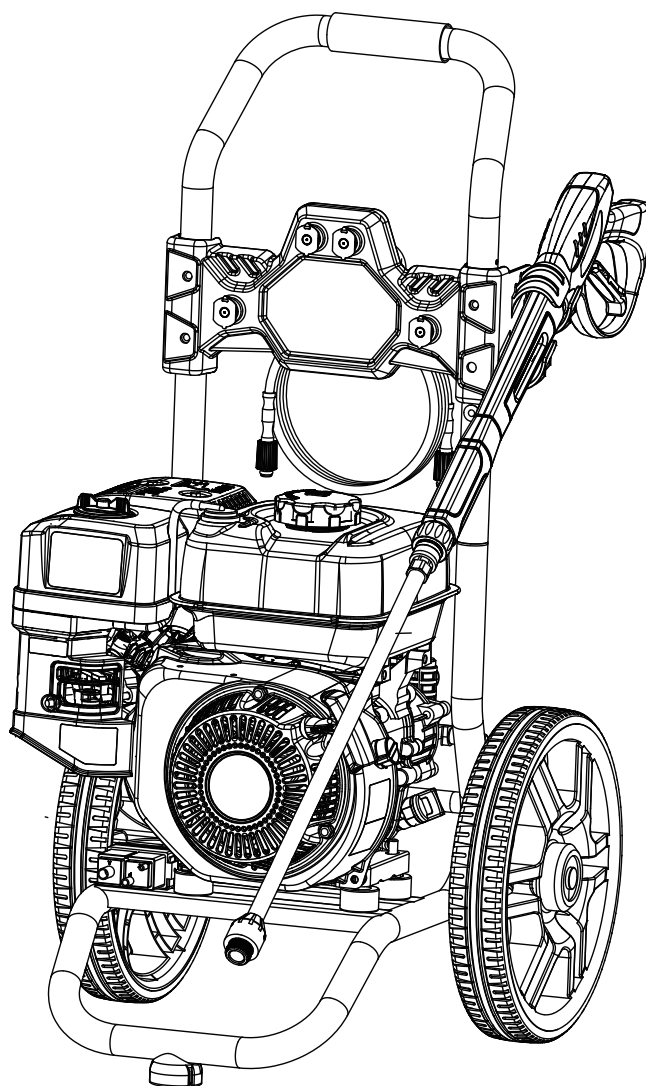
Modèle: PWF2701SH

SERVICE CLIENTS: 1-855-888-3598

Visitez notre site Web à l'adresse:
www.a-ipower.com

Envoyez un e-mail à notre support technique
à l'adresse: support@a-ipower.com

AVIS: N'utilisez pas de carburant E85 ou E15 dans ce produit. Cela peut endommager le moteur et annuler votre garantie. N'utilisez que de l'essence sans plomb contenant jusqu'à 10 % d'éthanol.



A-iPower Corp.
Fontana, CA 92337 USA
www.a-ipower.com



ATTENTION: CONSERVER CE MANUEL POUR RÉFÉRENCE FUTURE



Ce manuel contient des informations importantes concernant la sécurité. Fonctionnement, entretien et stockage de ce produit. Avant utilisation, lisez attentivement et comprenez toutes les mises en garde, les avertissements, les instructions et les étiquettes des produits. Le non-respect de cette consigne pourrait entraîner des blessures graves et/ou des dommages matériels.

TABLE DES MATIÈRES

SPÉCIFICATIONS DU PRODUIT	1
SÉCURITÉ	2
Symboles et Avertissements de Sécurité:	2
Instructions et Précautions D'utilisation Importantes:.....	3
INSTALLATION	9
Connaissez Votre Laveuse à Pression.....	9
Assemblage:.....	10
Informations Générales:	12
OPÉRATION	13
Contrôles de Prédémarrage	13
Mise en Marche du Moteur	15
Opération de Laveuse à Pression.....	16
Arrêt du Moteur Et de la Laveuse à pression	19
Fonctionnement à Haute Altitude	19
ENTRETIEN	20
Programme D'entretien de Moteur.....	20
Entretien de Pompe	21
Nettoyage de Laveuse à Pression	21
Changement D'huile Moteur	21
Remplissage D'huile Moteur:.....	22
Entretien de Bougie D'allumage:.....	22
Entretien de Filtre à Air:.....	23
Entreposage à Long Terme.....	23
Dépannage	25
DIAGRAMME ET LISTE DES PIÈCES	29
Diagramme D'assemblage Général.....	29
Liste Générale des Pièces	30
GARANTIE	31
Garantie AiPower.....	31

SPÉCIFICATIONS DU PRODUIT

1

SPÉCIFICATIONS DU LAVEUSE À PRESSION

Modèle	PWF2701SH
Pompe	Axial sans entretien
Conduire	Arbre vertical direct
Pression MAX	2700 PSI
Débit MAX	2.3 GPM
Tuyau	1/4 x 25' M22
Baguette	24" x 1/4 Q/C
Sélection de la buse	Q/C 0°, 25°, 40°, Savon Buse

CARACTÉRISTIQUES DU MOTEUR


Modèle	AP168FB
Déplacement	196cc
Type de moteur	Monocylindre 4 temps OHV
Système de refroidissement	Air conditionné
Système d'huile	Lubrification par barbotage
Type de carburant	87+ Octane Essence sans plomb
Capacité de carburant	0,95 gallon (3,6 litres)
Type d'huile moteur	10W-30
Capacité d'huile moteur	0.6 Quart (0.6 Liter)


AVIS: Nous travaillons toujours à améliorer nos produits. Par conséquent, le produit final peut différer des images présentées. A-iPower se réserve le droit de modifier les caractéristiques et les spécifications sans préavis pour d'autres améliorations des produits.


POUR DES QUESTIONS TECHNIQUES, VEUILLEZ APPELEZ LE 1-855-888-3598

Ce manuel d'utilisation a été conçu pour vous instruire sur le bon fonctionnement de votre produit A-I POWER. Votre satisfaction avec ce produit et son fonctionnement en toute sécurité est notre préoccupation ultime. Par conséquent, veuillez prendre le temps de lire l'intégralité du manuel, en particulier les symboles et les instructions de sécurité. Ils vous aideront à éviter les dangers potentiels pouvant exister lors de l'utilisation de ce produit. Tous les efforts ont été faits pour s'assurer que les informations contenues dans ce manuel sont exactes et à jour. Cependant, nous nous réservons le droit de changer, d'altérer ou d'améliorer le produit et ce document à tout moment et sans préavis.

Symboles de sécurité et avertissements :

 **DANGER:** indique un danger qui, s'il n'est pas évité, entraînera la mort ou des blessures graves.









 **AVERTISSEMENT:** indique un danger qui, s'il n'est pas évité, pourrait entraîner des blessures mineures ou modérées.









 **AVERTISSEMENT:** indique un danger qui, s'il n'est pas évité, pourrait entraîner la mort ou des blessures graves.

AVIS: Indique des informations ou traite de pratiques importantes, mais non liées à des blessures corporelles.

Symboles de sécurité et leur signification :

Les symboles suivants apparaîtront dans ce manuel et sur le produit. Pour une utilisation sûre de ce produit, assurez-vous de les étudier et de connaître leur signification.

	Alerte de sécurité
	Lire le manuel d'utilisation
	Risque d'asphyxie
	Protection des yeux
	Surface chaude
	Injection de fluide
	Rebond
	Pièces mobiles

	Feu
	Explosion
	Choc électrique
	Projectile
	Brûlures chimiques
	Danger électrique
	Surface glissante
	Tomber

Instructions d'utilisation et précautions importantes :



DANGER: RISQUE DE GAZ TOXIQUE



Les gaz d'échappement du moteur contiennent du monoxyde de carbone, un gaz toxique qui vous tuera en quelques minutes. Vous **NE POUVEZ PAS** le sentir, le voir ou le goûter. Même si vous ne sentez pas l'odeur des gaz d'échappement, vous pourriez toujours être exposé au monoxyde de carbone. Certains produits chimiques ou détergents peuvent également être nocifs s'ils sont inhalés ou ingérés, entraînant la mort, des blessures graves, des nausées, des évanouissements ou des empoisonnements.

- Faites fonctionner ce produit **UNIQUEMENT** à l'extérieur, loin des fenêtres, des portes et des événements pour réduire le risque que le monoxyde de carbone s'accumule et soit potentiellement attiré vers les espaces occupés.
- **NE PAS** faire fonctionner ce produit à l'intérieur des maisons, des garages, des sous-sols, des vides sanitaires, des remises ou d'autres espaces partiellement clos, même si vous utilisez des ventilateurs ou si vous ouvrez des portes et des fenêtres pour la ventilation. Le monoxyde de carbone peut s'accumuler rapidement dans ces espaces et peut persister pendant des heures, même après que ce produit a été éteint.
- **TOUJOURS** placer ce produit sous le vent et diriger l'échappement du moteur loin des espaces occupés.
- Si vous commencez à vous sentir mal, étourdi ou faible lors de l'utilisation de ce produit, éteignez-le et allez à l'air frais **IMMÉDIATEMENT**. Consultez un médecin, car vous pourriez avoir une intoxication au monoxyde de carbone



DANGER:

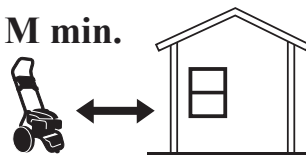
L'utilisation d'un moteur à l'intérieur
PEUT VOUS TUER EN MINUTES.

L'échappement de moteur contient l'oxyde de carbone,
un poison que vous ne pouvez pas voir, sentir ou goûter.



NE JAMAIS utiliser dans une maison ou un endroit partiellement clos, comme des garages.

1.5 M min.



Utiliser **UNIQUEMENT** à l'extérieur et loin des fenêtres, portes et événements ouverts.

**Évitez les autres dangers pour les ingénieurs.
LIRE LE MANUEL AVANT UTILISATION.**

! AVERTISSEMENT: LIRE ET COMPRENDRE TOUTES LES CONSIGNES DE SÉCURITÉ

- Maintenez les protections en place et en bon état de fonctionnement. N'utilisez jamais ce produit avec une protection ou un couvercle retiré. Assurez-vous que toutes les protections sont intactes et fonctionnent correctement avant chaque utilisation.
- Retirez les outils de réglage et les clés. Si des réglages ou des opérations de maintenance ont été effectués, assurez-vous que tous les outils et clés de réglage sont retirés du produit avant utilisation.
- Pour réduire le risque de blessure, éloignez tous les enfants et visiteurs du produit lors de son utilisation. Tous les visiteurs doivent porter des lunettes de sécurité et être maintenus à une distance de sécurité de la zone de travail.
- Gardez la zone de travail dégagée de toutes les personnes, en particulier les petits enfants et les animaux domestiques.
- Utiliser le produit pour l'usage auquel il est destiné. Ne forcez pas le produit ou l'accessoire à faire un travail pour lequel il n'a pas été conçu. Ne l'utilisez pas à des fins non prévues. Utilisez uniquement les accessoires recommandés avec ce produit. L'utilisation d'accessoires inappropriés et/ou modifiés peut entraîner un risque de blessure.
- Utilisez des vêtements appropriés. Portez des pantalons longs et des manches longues. Ne portez pas de vêtements amples, de cravates ou de bijoux. Ils peuvent se coincer et vous entraîner dans les pièces mobiles. Des gants en caoutchouc et des chaussures antidérapantes sont recommandés lorsque vous travaillez à l'extérieur. N'utilisez pas l'équipement pieds nus ou lorsque vous portez des sandales ou des chaussures légères similaires. Portez également un couvre-cheveux protecteur pour contenir les cheveux longs.
- Portez toujours une protection oculaire appropriée avec des écrans latéraux marqués pour se conformer à la norme ANSI Z87.1. Le respect de cette règle réduira le risque de blessures graves.
- Ne vous étendez pas trop ou ne vous tenez pas sur une échelle, un toit ou une autre structure de support instable. Gardez une bonne assise et un bon équilibre à tout moment.
- Ne laissez jamais le produit fonctionner sans surveillance. Coupez l'alimentation. Ne laissez pas le produit jusqu'à ce qu'il s'arrête complètement.
- Gardez le moteur et la pompe exempts d'herbe, de feuilles, d'huile ou de graisse pour réduire les risques d'incendie.
- Gardez la sortie d'échappement exempte de corps étrangers.
- Être parfaitement au courant des contrôles des produits. Savoir arrêter le produit et purger la pression rapidement.
- Restez vigilant et exercez votre contrôle. Surveillez ce que vous faites à tout moment et faites preuve de bon sens. N'utilisez pas l'outil lorsque vous êtes fatigué. Ne vous précipitez pas.
- N'utilisez pas le produit sous l'influence de drogues, d'alcool ou de tout médicament.
- Vérifiez la zone de travail avant d'utiliser le produit. Retirez tous les objets tels que les pierres, le verre brisé, les clous, le fil ou la ficelle qui peuvent être projetés ou s'emmêler dans le produit.
- Ne dirigez pas le jet de pulvérisation à haute pression sur des personnes, des animaux et des animaux domestiques. Ne pas diriger le jet de pulvérisation
- Ne soulevez ou ne transportez jamais le produit et n'essayez jamais d'effectuer des réglages lorsque le moteur est en marche ou chaud.
- N'essayez pas de toucher la bougie ou le fil de la bougie pendant que le moteur tourne.
- Utilisez uniquement de l'eau froide avec ce produit.
- Pour usage extérieur uniquement



AVERTISSEMENT: Risque d'incendie/surface chaude



L'échappement pourrait enflammer les combustibles, entraînant la mort ou des blessures graves. Le contact avec la zone du silencieux peut provoquer des brûlures entraînant des blessures graves.

- NE PAS toucher les pièces chaudes et ÉVITER les gaz d'échappement chauds.
- Laissez l'équipement refroidir avant de le toucher.
- Gardez au moins 5 pieds (1,5 m) d'espace libre de tous les côtés du nettoyeur haute pression, y compris au-dessus.
- Utiliser ou faire fonctionner le moteur sur un terrain couvert de forêts, de broussailles ou d'herbe à moins que le système d'échappement ne soit équipé d'un pare-étincelles, tel que défini dans la section 4442, constitue une violation du California Public Resource Code, Section 4442. , maintenu en bon état de fonctionnement. D'autres États ou juridictions fédérales peuvent avoir des lois similaires. Contactez le fabricant de l'équipement d'origine, le détaillant ou le concessionnaire pour obtenir un pare-étincelles conçu pour le système d'échappement installé sur ce moteur.
- La pièce de rechange doit être la même et installée dans la même position que l'originale.



AVERTISSEMENT: Risque de glissade ou de chute



L'utilisation d'un nettoyeur haute pression peut créer des surfaces glissantes et vous faire tomber, entraînant la mort ou des blessures graves.

- Le rebond du pistolet de pulvérisation pourrait vous faire tomber, entraînant la mort ou des blessures graves.
- Faire fonctionner le nettoyeur haute pression à partir d'une surface stable.
- Le secteur de nettoyage devrait avoir des pentes et drainage proportionnés pour réduire la possibilité d'une chute due aux surfaces glissantes.
- Faire attention extrêmement si vous devez employer la laveuse à pression d'une échelle, de l'échafaudage, ou de n'importe quel autre endroit semblable.
- Saisissez fermement le pistolet de pulvérisation avec les deux mains en employant le jet à haute pression pour éviter des dommages quand le pistolet de pulvérisation donne un coup en arrière.




AVERTISSEMENT: Risque de rebond



Le contrecoup du cordon de démarrage (rétraction rapide) tirera la main et le bras vers le moteur plus rapidement que vous ne pouvez le lâcher, ce qui pourrait provoquer des fractures, des ecchymoses ou des entorses entraînant des blessures graves.

- NE JAMAIS tirer sur la corde du lanceur sans avoir d'abord relâché la pression du pistolet de pulvérisation.
- En mettant en marche le moteur, tirez le cordon lentement jusqu'à ce que la résistance soit sentie et tirez alors rapidement pour éviter le contrecoup.
- Après chaque tentative de démarrage, où le moteur ne tourne pas, toujours dirigez le pistolet de pulvérisation dans la direction sûre, désengagez la serrure de déclencheur et serrez le déclenchement de pistolet de pulvérisation pour libérer la pression.
- Saisissez fermement le pistolet de pulvérisation avec les deux mains en employant le jet à haute pression pour éviter des dommages quand le pistolet de pulvérisation donne un coup en arrière.

 **AVERTISSEMENT:** Risque d'incendie / d'explosion

 Le carburant et ses vapeurs sont extrêmement inflammables et explosifs qui pourraient causer les brûlures, l'incendie ou l'explosion ayant comme résultat la mort ou des dommages sérieux. Risque d'incendie et de brûlures graves: ne retirez jamais le bouchon de carburant lorsque l'unité est en marche. Arrêtez le moteur et laissez l'appareil refroidir au moins cinq minutes. Retirez lentement le capuchon.

EN AJOUTANT OU EN VIDANGEANT LE CARBURANT

- Arrêtez le moteur de laveuse à pression et le laissez refroidir au moins 2 minutes avant d'enlever le bouchon de carburant. Détachez le bouchon lentement pour soulager la pression dans le réservoir.
- Remplissez ou vidangez réservoir de carburant dehors.
- Ne remplissez pas le réservoir au-dessus du niveau. Permettez l'espace pour l'expansion de carburant.
- Si le carburant se renverse, attendez jusqu'à ce qu'elle s'évapore avant de mettre en marche le moteur.
- Gardez le carburant loin des étincelles, des lampes témoin et de flammes nues, de la chaleur, et d'autres sources d'allumage.
- Examinez les lignes de carburant, le réservoir, le bouchon et les garnitures fréquemment pour déceler les fissures ou les fuites. Remplacer au besoin.
- N'allumez pas une cigarette ou ne fumez pas.

LORS DE DÉMARRAGE D'ÉQUIPEMENT

- Assurez que la bougie d'allumage, le silencieux, le bouchon de carburant, et le filtre à air sont en place.
- NE PAS tourner la manivelle du moteur avec la bougie d'allumage étant coupée.

LORS D'OPÉRATION D'ÉQUIPEMENT


- NE PAS actionner ce produit à l'intérieur d'aucun bâtiment, parking, porche, équipement mobile, applications marines, ou clôture.
- NE PAS incliner le moteur ou l'équipement à l'angle qui fait renverser le carburant.
- NE PAS pulvériser les liquides inflammables.


EN TRANSPORTANT, EN DÉPLAÇANT OU EN RÉPARANT L'ÉQUIPEMENT

- Transport/ mouvement/ réparation avec le réservoir de carburant VIDE ou avec le robinet d'arrêt de carburant OFF.
- NE PAS incliner le moteur ou l'équipement à l'angle qui fait renverser le carburant.
- Déconnectez le fil de bougie d'allumage.

EN STOCKANT LE CARBURANT OU L'ÉQUIPEMENT AVEC DU CARBURANT DANS LE RÉSERVOIR

- Stockez loin des fours, des fourneaux, des chauffe-eau, des dessiccateurs de vêtements, ou d'autres appareils qui ont la lampe témoin ou toute autre source d'allumage qui pourraient mettre à feu des vapeurs de carburant.

 **AVERTISSEMENT:** Incendie et choc électrique

 L'étincellement involontaire pourrait causer le feu ou la décharge électrique ayant comme résultat la mort ou des dommages sérieux.

LORS D'AJUSTER OU DE DÉPANNER VOTRE LAVEUSE À PRESSION

- Démontez le fil de bougie d'allumage de la bougie d'allumage et placez le fil à un endroit où il ne peut pas entrer en contact avec la bougie d'allumage

LORS DE TESTER L'ÉTINCELLE DE MOTEUR

- Employez l'appareil de contrôle approuvé de bougie d'allumage.
- NE PAS contrôler l'étincelle la bougie d'allumage étant coupée.

 **AVERTISSEMENT:** Injection de fluide



Le courant d'eau à haute pression que cet équipement produit pourrait couper à travers la peau et ses tissus fondamentaux, ayant comme résultat les dommages sérieux et l'amputation possible.

- Le pistolet de pulvérisation emprisonne la haute pression des eaux, même lorsque le moteur est arrêté et l'eau est débranché, qui pourrait avoir comme conséquence des dommages sérieux.
- En cas d'être coupé par le fluide, appelez le physicien immédiatement. NE PAS traiter comme une coupure simple.
- NE PAS permettre aux ENFANTS d'actionner la laveuse à pression.
- NE JAMAIS réparer le tuyau à haute pression. Remplacez-le.
- NE JAMAIS réparer les raccordements qui fuient avec du produit d'étanchéité de toute sorte. Remplacez le joint circulaire ou le joint.
- NE JAMAIS relier le tuyau à haute pression à la prolongation de bec.
- Maintenez le tuyau à haute pression relié pour pomper et le pistolet de pulvérisation tandis que le système est pressurisé.
- Dirigez TOUJOURS le pistolet de pulvérisation dans la direction sûre, désengagez la serrure de déclenchement et serrez le déclenchement de pistolet de pulvérisation pour libérer la pression, chaque fois que vous arrêtez le moteur.
- NE JAMAIS viser le pistolet de pulvérisation vers des gens, des animaux, ou des plantes.
- NE PAS fixer le pistolet de pulvérisation en position d'ouverture.
- NE PAS laisser le pistolet de pulvérisation sans surveillance tandis que la machine fonctionne.
- NE JAMAIS utiliser un pistolet de pulvérisation qui n'a pas une serrure de déclenchement ou un garde de déclenchement en place et en état de marche.
- Assurez TOUJOURS que le pistolet de pulvérisation, les bacs et les accessoires sont correctement fixés.

 **AVERTISSEMENT:** Risque de pièces mobiles



Le démarreur et d'autres pièces en rotation pourraient empêtrer des mains, des cheveux, l'habillement, ou des accessoires ayant comme résultat des dommages sérieux.

- NE JAMAIS actionner la laveuse à pression sans logement ou couverture de protection.
- NE PAS porter des vêtements lâche, des bijoux ou tout objet qui pourraient être attrapés dans le démarreur ou d'autres pièces en rotation.
- Fixez les longs cheveux et enlevez les bijoux.

 **AVERTISSEMENT:** Risque de projectile



Risque de dommages d'oeil ou corporels. Le jet pourrait éclabousser en arrière ou propulser des objets ayant comme résultat des dommages sérieux.

- Portez toujours des lunettes de sécurité marquées conformes à la norme ANSI Z87.1 lorsque vous utilisez ou à proximité de cet équipement.
- Portez toujours des vêtements de protection tels qu'une chemise à manches longues, un pantalon long et des chaussures à bout fermé.
- NE JAMAIS utiliser de laveuse à pression pieds nus ou en portant des sandales.

 **ATTENTION:** vitesse du moteur

Des vitesses de fonctionnement trop élevées peuvent entraîner des blessures mineures. Des vitesses excessivement basses imposent une lourde charge au moteur.

- NE PAS altérer le ressort de régulateur, les liens ou d'autres pièces pour augmenter la vitesse de moteur. La laveuse à pression fournit la pression et le débit corrects à la vitesse réglée.
- NE PAS modifier la laveuse à pression de quelque façon.

⚠ AVERTISSEMENT: Choc électrique

Le contact avec la source d'énergie pourrait causer la décharge électrique ou brûler ayant comme résultat la mort ou des dommages sérieux.

- Ne vaporisez jamais sur ou à proximité d'une source d'alimentation électrique.

⚠ AVERTISSEMENT: Brûlure chimique

Les produits chimiques peuvent causer des brûlures ayant comme résultat la mort ou des dommages sérieux.

- NE PAS utiliser du liquide caustique avec la laveuse à pression.
- Utilisez SEULEMENT les détergents/savons sûrs de laveuse à pression. Suivez toutes les instructions de fabricant.

⚠ AVERTISSEMENT: Proposition 65 de la Californie

Ce produit vous exposera aux substances chimiques telle que plomb, selon l'Etat de Californie, qui causera le cancer. Pour plus d'informations, veuillez visiter sur www.P65Warnings.ca.gov

NOTIFICATION: Pour plus d'informations sur les pièces répertoriées dans les pages suivantes, reportez-vous à:

- LISTE DES PIÈCES ET SCHÉMA à la page 29.

NOTIFICATION: Le jet à haute pression pourrait endommager les articles fragiles comprenant le verre.

- NE PAS diriger le pistolet de pulvérisation au verre en employant le bec rouge (0°). NE JAMAIS viser le pistolet de pulvérisation sur les plantes.

NOTIFICATION: Le traitement inexact de la laveuse à pression pourrait l'endommager et raccourcir sa vie. Si vous avez des questions sur les usages prévus, veuillez contacter notre centre de service à 1-855-888-3598.

- NE JAMAIS actionner les unités avec les pièces cassées ou absentes, ou sans boîtier ou couvercle de protection.
- NE PAS dévier aucun dispositif de sécurité sur cette machine.
- NE PAS altérer la vitesse régie.
- NE PAS actionner la laveuse à pression au-dessus de la pression évaluée.
- NE PAS modifier la laveuse à pression de quelque façon.
- Avant de démarrer la laveuse à pression au temps froid, vérifiez toutes les pièces de l'équipement pour assurer que la glace ne s'y est pas formée.
- NE JAMAIS déplacer la machine par la traction sur des tuyaux. Utilisez la poignée fournie sur l'unité.
- Cet équipement est conçu pour être utilisé avec les pièces autorisées par A-iPower SEULEMENT. Si l'équipement est utilisé avec les pièces qui ne sont pas conformes aux spécifications minimales, l'utilisateur assumera tous les risques et responsabilités.

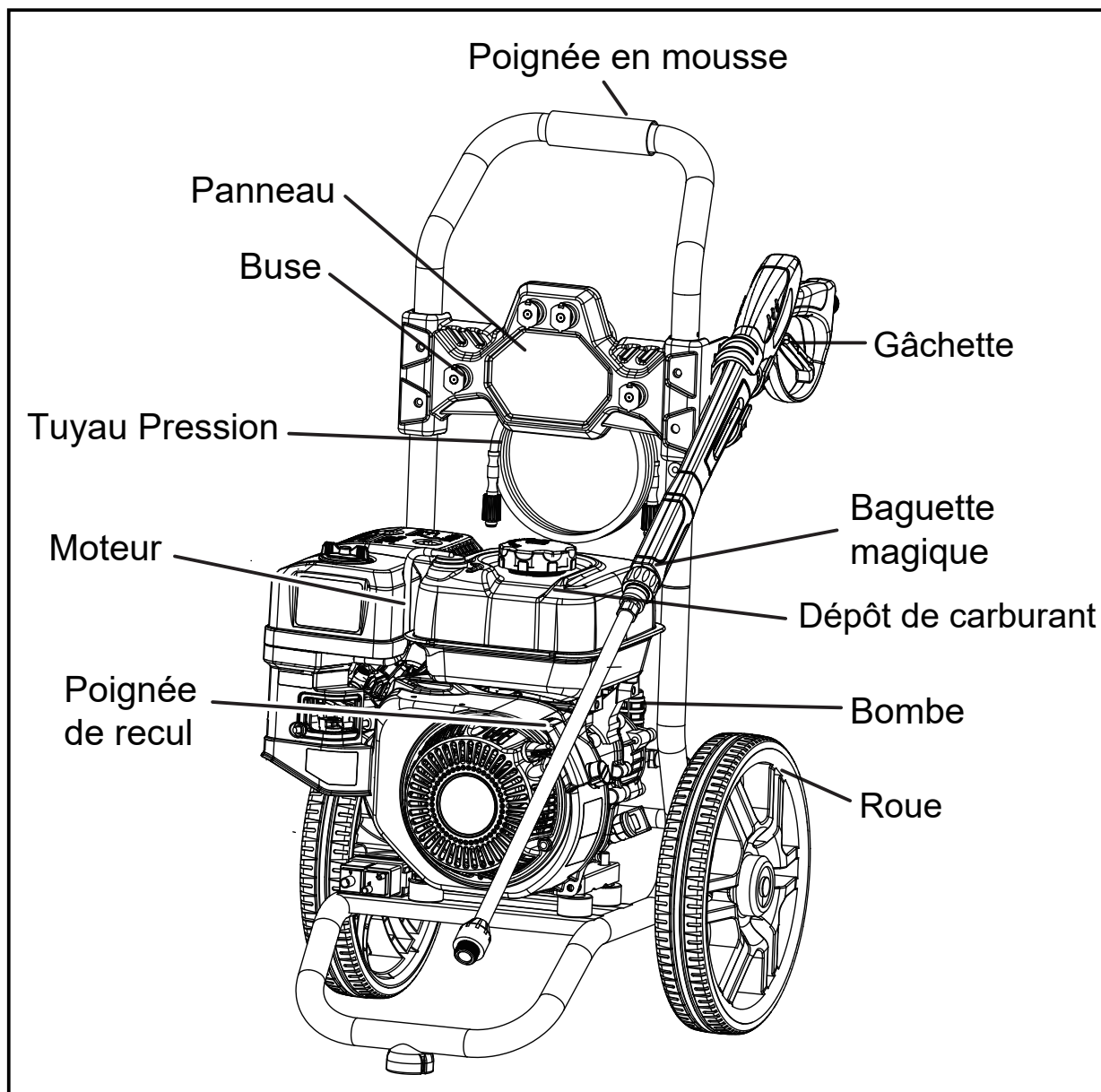
POUR DES QUESTIONS TECHNIQUES, VEUILLEZ APPELEZ LE 1-855-888-3598

! **ATTENTION:** Lisez le manuel



Lisez la section entière de SÛRETÉ au début de ce manuel comprenant toutes les sous-positions de texte qui s'y trouvent avant installation ou utilisation de ce produit.

Connaissez votre laveuse à pression



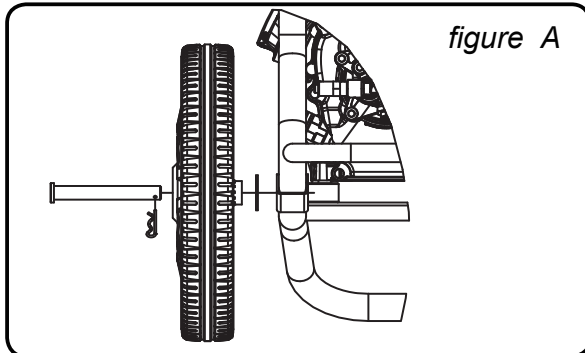
ACCESSOIRES INCLUS :

- 0,6 Pinte d'huile
- Manuel d'utilisateur
- Aiguille de nettoyage de buse

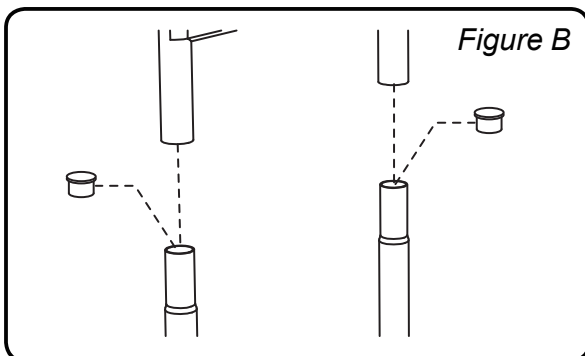
POUR DES QUESTIONS TECHNIQUES, VEUILLEZ APPELÉZ LE 1-855-888-3598

Assemblage:

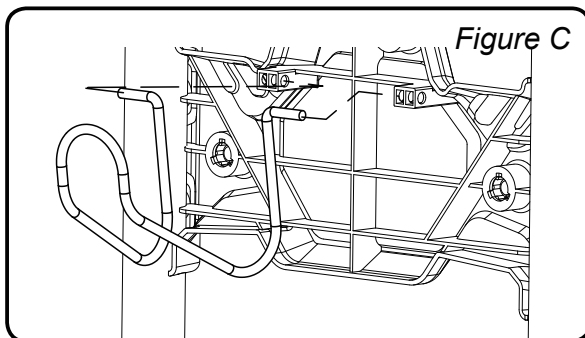
1. Insérez l'essieu à travers la roue, la rondelle plate et le manchon du cadre, puis insérez la pince de verrouillage de la goupille dans le trou de l'essieu.
Voir la figure A.



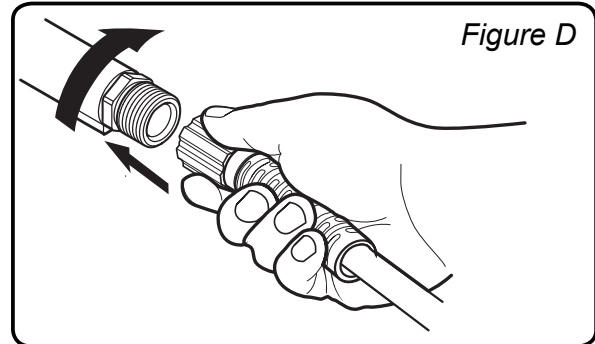
1. Retirez le capuchon d'extrémité dans le cadre, fixez-le la poignée sur le cadre en insérant le clip. *Voir Figure B.*



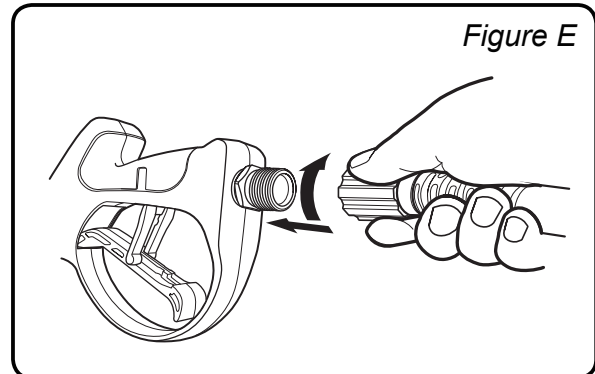
2. Fixez le support de tuyau au panneau.
Voir Figure C.



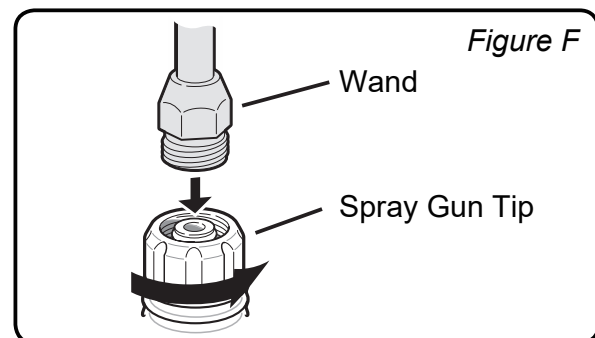
3. Connectez le tuyau de pression à la pompe raccord de sortie et serrez fermement l'écrou en main, NE PAS utiliser d'outil pour serrer.
Voir la figure D.



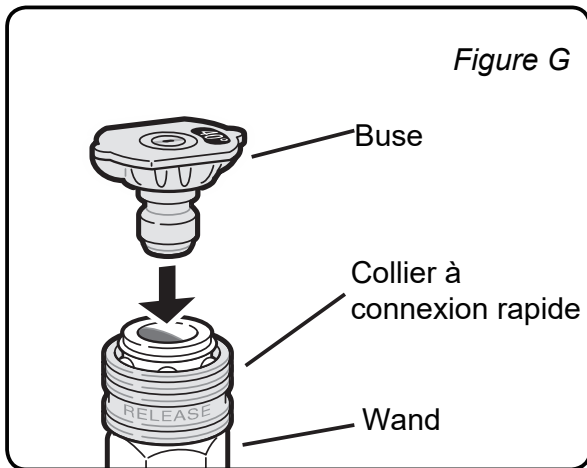
4. Connectez le tuyau de pression au poignée du pistolet pulvérisateur et serrez l'écrou fermement à la main.
Voir la figure E.



5. Retirez le capuchon de protection de la baguette entrée. Insérez la baguette dans le pistolet de pulvérisation pointe et serrez fermement l'écrou à la main.
Voir la figure F.



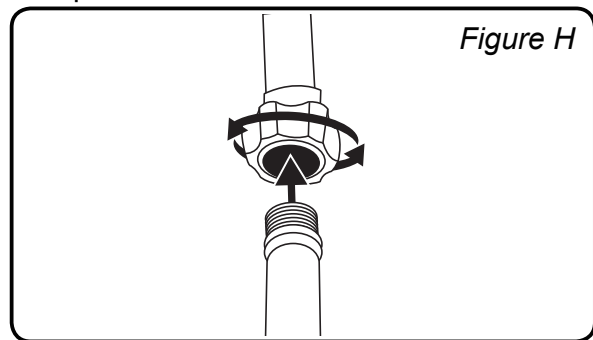
7. Fixez la buse à la lance en tirant sur le collier de connexion rapide et en poussant la buse sur l'extrémité de la lance. Assurez-vous que le collier de connexion rapide verrouille la buse en place.
Voir la figure G.



8. Connectez le tuyau d'alimentation en eau au raccord d'entrée d'eau de la pompe et serrez fermement le raccord d'entrée à la main.

Voir la figure H.

La source d'eau doit être en mesure de fournir un minimum de cinq gallons d'eau propre et froide par minute à 20 PSI. Utilisez uniquement un tuyau d'un diamètre intérieur de 5/8" ou plus grand qui est conçu pour répondre à cette capacité.



INFORMATIONS GÉNÉRALES:

Carburant	Utilisez de l'essence sans plomb fraîche de haute qualité (octane d'au moins 87), contenant jusqu'à 10 % d'éthanol. N'utilisez pas de carburant à haute teneur en éthanol ; E15 ou E85.
Huile	Huile moteur : Utilisez uniquement de l'huile non détergente SAE 10W-30, 0,6 pinte (fournie). Huile de pompe : La pompe a été lubrifiée et scellée en usine et ne nécessite aucun entretien pendant toute la durée de vie du produit, en fonctionnement normal. N'essayez pas de changer ou d'ajouter de l'huile à la pompe. Si la pompe fuit de l'huile, veuillez appeler notre service à la clientèle au 1-855-888-3598.
L'eau	Utilisez uniquement de l'eau froide. N'utilisez pas le nettoyeur haute pression avec un filtre d'entrée d'eau obstrué ou manquant. Ne pas faire fonctionner le nettoyeur haute pression sans une alimentation en eau adéquate.
Pression Ajustement	Le réglage de la pression est pré-réglé en usine. Pour abaisser la pression, reportez-vous à « Réglage de la pression » à la page 18.

INFORMATIONS GÉNÉRALES:

Pompe à haute pression	<p>La pompe haute pression ne contient aucune pièce réparable. N'essayez pas de réparer ou d'entretenir la pompe, car vous pourriez l'endommager et annuler votre garantie. Si vous pensez que la pompe a besoin d'entretien, veuillez appeler notre service à la clientèle au 1-855-888-3598.</p> <p>Ne laissez pas l'eau geler dans la pompe. Si le produit est stocké dans une zone dont la température est inférieure à 32 °F, 0 °C, assurez-vous que toute l'eau est retirée de la pompe ou qu'un produit de protection de pompe approprié a été utilisé. Le fait de ne pas protéger la pompe sous des températures froides entraînera des dommages et annulera éventuellement votre garantie.</p>
Mode bipasse	<p>Lorsque vous relâchez la gâchette du pistolet, la pompe passe en mode bipasse. Il est recommandé de ne jamais laisser la pompe fonctionner en mode bypass pendant plus de 2 minutes. Des dommages à la pompe pourraient être possibles.</p>
Soupape de décharge thermique	<p>La pompe est équipée d'une soupape de décharge thermique. Si en mode bipasse l'eau surchauffe, cette vanne s'ouvre en libérant de l'eau chaude et en laissant de l'eau fraîche entrer dans la pompe. Ensuite, la vanne se ferme et la pompe revient en fonctionnement normal. Attention, la vanne s'ouvre sans avertissement et l'eau sera chaude. Des blessures peuvent survenir. Gardez toujours les mains et les pieds éloignés de la soupape de décharge thermique.</p>
Tuyau haute pression	<p>Ne laissez pas les tuyaux entrer en contact avec le silencieux du moteur pendant l'utilisation ou immédiatement après l'utilisation. N'essayez PAS de déplacer le dispositif en tirant sur le tuyau haute pression.</p>
Moteur	<p>N'ajustez pas ou n'essayez pas de faire l'entretien sans lire le manuel du propriétaire ou consulter notre service à la clientèle au 1-855-888-3598. Ajoutez un stabilisateur de carburant (non fourni) dans le réservoir de carburant et laissez le moteur tourner pendant 5 minutes avant le stockage. Ouvrez toujours l'eau avant de démarrer le moteur.</p>
Savon / produits chimiques	<p>N'utilisez que des savons et des détergents chimiques conçus pour les laveuses à pression. Suivez toujours les instructions du fabricant de détergent sur leur contenant. N'UTILISEZ PAS d'agent de blanchiment, d'acide, de matériaux inflammables ou de solvants industriels.</p>
Buse	<p>Gardez toujours les buses propres et non obstruées. Utilisez l'aiguille de la buse pour nettoyer si elle est bouchée. Utilisez UNIQUEMENT la buse de détergent (noire) lorsque vous utilisez des solvants chimiques et de nettoyage.</p>
Entreposage / hivernage	<p>Faites couler de l'eau propre dans le réservoir / entrée de produits chimiques pour éliminer tout détergent résiduel. Ajoutez du stabilisateur à tout carburant restant dans le réservoir de carburant. Voir la section MOTEUR ci-dessus. Ne laissez pas l'eau geler dans la pompe à pression, le pistolet de pulvérisation, la lance de pulvérisation ou les tuyaux.</p>

ATTENTION: Lire le manuel



Lisez l'intégralité des sections SÉCURITÉ et INSTALLATION au début de ce manuel, y compris tout le texte sous les sous-titres qui s'y trouvent avant d'utiliser ce produit. Une utilisation ou un traitement incorrect de la laveuse à pression peut endommager les composants internes et raccourcir la durée de vie de l'unité. Le non-respect de cet avertissement annulera la garantie.

Contrôles de prédémarrage

Inspectez le moteur et l'équipement à la recherche de pièces endommagées, desserrées et manquantes avant l'installation et le démarrage. En cas de problème, n'utilisez pas l'équipement tant qu'il n'a pas été correctement résolu. Veuillez appeler notre service à la clientèle au 1-855-888-3598.

NOTIFICATION: avant chaque utilisation. Avant chaque utilisation, vérifiez le niveau d'huile. Votre moteur peut être équipé d'une garantie. NULLE si le carter du moteur n'est pas correctement rempli avec la fonction d'arrêt pour manque d'huile. Le cas échéant, le moteur ne démarre pas avec une huile moteur faible ou inexistante dans le carter.

1. Ajouter l'huile à moteur

- 1.1 Déplacez la laveuse à pression A L'EXTÉRIEURE et placez sur une surface plane et à un niveau.
- 1.2 Assurez-vous que le moteur est arrêté, froid et de niveau.
- 1.3 Fermez la valve de carburant.
- 1.4 Nettoyez le dessus du jaugeur et du secteur autour. Enlevez le jaugeur en le tournant dans le sens contraire des aiguilles d'une montre, et l'effacez avec du chiffon propre et non pelucheux.
- 1.5 Placez l'entonnoir dans le réservoir d'huile.
- 1.6 Versez l'huile à moteur (SAE10W-30 est recommandé pour l'usage général).
- 1.7 Réinsérez le jaugeur sans le fileter dedans et l'enlevez pour vérifier le niveau d'huile. Le niveau d'huile devrait être jusqu'au plein niveau comme montré ci-dessus.
- 1.8 Si le niveau d'huile est ou au-dessous derrière la basse marque, ajoutez le type approprié d'huile jusqu'à ce que le niveau d'huile soit au niveau approprié. (Le diagramme de viscosité de SAE à la page ?? dans la section de ENTRETIEN montre d'autres viscosités d'utiliser dans différentes températures moyennes.)
- 1.9 Remplacez le jaugeur et serrez entièrement.

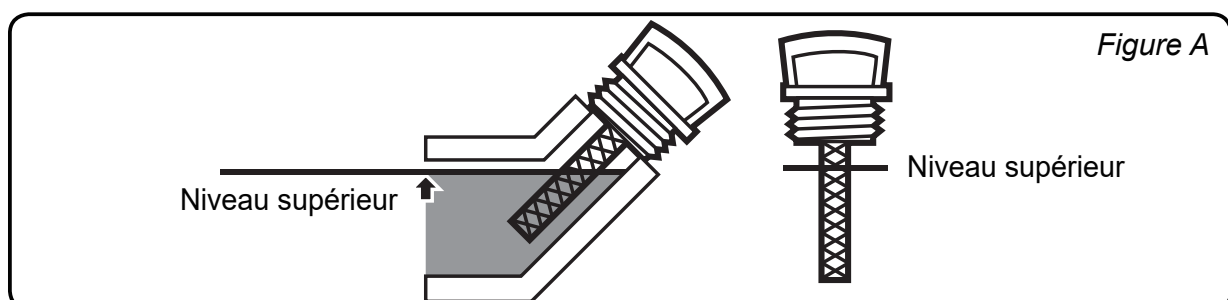


Figure A

Contrôles de prédémarrage (suite)**AVERTISSEMENT:** Risque d'incendie / d'explosion

Le carburant et la vapeur de carburant sont extrêmement inflammables et explosifs. L'incendie ou l'explosion due à une mauvaise utilisation peut causer les brûlures graves et même la mort.

- Remplissez le réservoir de carburant dans un secteur bien ventilé loin des sources d'allumage. Si le moteur est chaud de l'utilisation, fermez le moteur et attendez pour se refroidir avant d'ajouter le carburant.
- Ne fumez pas près d'un réservoir ou contenant de carburant ouvert.
- Le manque d'employer le carburant comme recommandé en ce manuel annulera la garantie.

NOTIFICATION: N'utilisez pas d'essence stockée dans un réservoir de carburant sale. Cela peut faire pénétrer des particules dans le carburateur, affecter les performances du moteur et / ou endommager. Assurez-vous que la crépine du réservoir de carburant est propre et en place avant d'ajouter du carburant dans le réservoir.

2. Ajouter le carburant

- 2.1 Déplacez la laveuse à pression À L'EXTÉRIEUR de tout bâtiment ou structure partiellement fermée et placez-la sur une surface plane et de niveau.
- 2.2 Nettoyez le bouchon du réservoir et la zone autour avant de le retirer.
- 2.3 Assurez-vous que la laveuse à pression est éteinte et laissez-la refroidir pendant au moins deux minutes avant de retirer le bouchon de carburant. Dévissez lentement pour relâcher toute pression accumulée et retirez le bouchon du réservoir de carburant.
- 2.4 Enlevez le tamis et enlevez n'importe quelle saleté et débris. Remplacez alors le tamis.
- 2.5 Si nécessaire, remplissez le réservoir de carburant à environ 1 pouce sous le cou de suffisance du réservoir de carburant de l'octane 87 ou de la plus haute essence sans plomb qui a été traitée avec un additif de stabilisateur de carburant. Suivez les recommandations du fabricant de stabilisateur de carburant pour l'usage.
- 2.6 Remettez le bouchon du réservoir en place en vous assurant qu'il est étanche et scellé.
- 2.7 Essuyez n'importe quel carburant renversé et permettez à l'excès de s'évaporer avant de mettre en marche le moteur. Pour empêcher le FEU, ne mettez pas en marche le moteur tandis que l'odeur des vapeurs de carburant dans le ciel.

NOTIFICATION: En ajoutant le carburant à la laveuse à pression, respectez ce qui suit :

- N'UTILISEZ PAS d'essence non approuvée telle que E15 ou E85 (15% d'éthanol, 85% d'éthanol).
- Il s'agit d'un moteur à quatre temps, NE PAS mélanger l'huile avec de l'essence.
- NE modifiez PAS le moteur pour qu'il fonctionne avec des carburants alternatifs. Toute modification du moteur annulera votre garantie.

Mise en marche du moteur

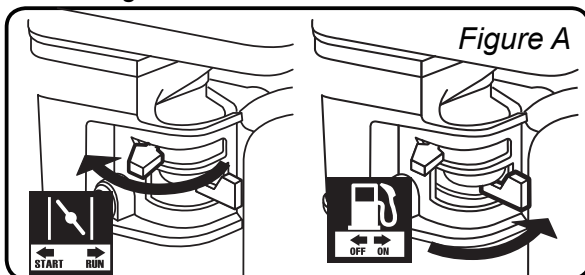
ATTENTION: Lire le manuel



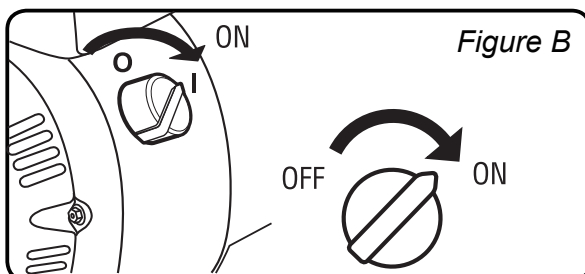
Lisez l'intégralité de la section Vérifications avant démarrage de ce manuel avant d'essayer de démarrer le moteur. Assurez-vous d'inspecter l'équipement et le moteur pour tout protecteur ou pièce manquant ou desserré. Vérifiez les niveaux de carburant et d'huile du moteur avant de démarrer.

- Ouvrez le robinet de carburant, le cas échéant.
- Ouvrez l'alimentation en eau, retirez la buse, pointez la baguette dans une direction sûre et maintenez la gâchette jusqu'à ce que tout l'air soit libéré du système, au moins 30 secondes.
- Relâchez ensuite la gâchette, verrouillez-la en position de sécurité et remplacez la buse avant de démarrer le moteur.
- Do not let the Starter Handle snap back against the engine housing.
- Si la poignée du démarreur devient difficile à tirer, relâchez la pression dans le flexible en appuyant sur la gâchette du pistolet.

1. Pour mettre en marche un moteur froid, déplacez la bobine de la position de START. Pour remettre en marche un moteur chaud, laissez la bobine en position de RUN. Mettez la valve de carburant en position ON. Voir Figure A.

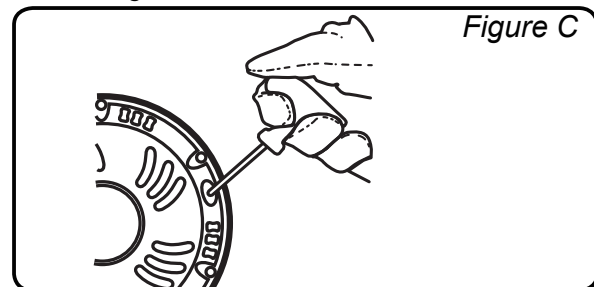


2. Mettez l'interrupteur du moteur en position marche ou I. Voir figure B.

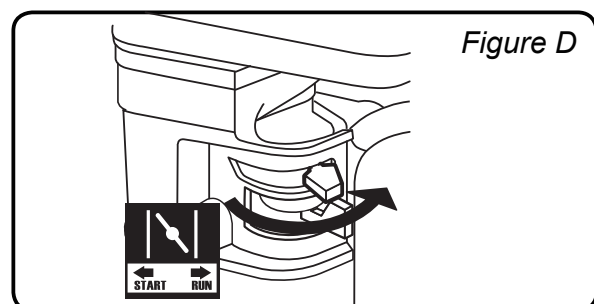


NOTIFICATION: Si le moteur ne démarre pas, vérifiez le niveau d'huile moteur. S'il est équipé d'un arrêt d'huile bas, le moteur ne démarrera pas avec une huile moteur faible ou nulle. Si le niveau d'huile est bas, consultez la section AJOUT D'HUILE MOTEUR ci-dessus dans ce manuel.

3. Saisissez la poignée de démarrage du moteur sans serrer et tirez-la lentement deux fois pour permettre à l'essence de s'écouler dans le carburateur du moteur. Tirez ensuite doucement la poignée du démarreur jusqu'à sentir une résistance, puis tirez-la rapidement pour commencer. Répétez jusqu'à ce que le moteur démarre. Voir Figure C.



4. Permettez au moteur de courir pendant plusieurs secondes. Alors, si le levier de bobine est en position de START, déplacez le levier de bobine très lentement à sa position RUN. Voir Figure D



Opération de laveuse à pression

 **AVERTISSEMENT:** Protection des yeux / Risque d'injection de fluide



TOUJOURS porter des lunettes de sécurité approuvées lors de l'utilisation des nettoyeurs haute pression. Le jet peut éclabousser ou propulser des objets, y compris des accessoires mal fixés. Le jet d'eau à haute pression produit par cet équipement peut traverser la peau et ses tissus sous-jacents, entraînant une possible amputation. Le pistolet pulvérisateur emprisonne une pression d'eau élevée, même lorsque le moteur est arrêté et que la source d'eau est déconnectée, ce qui peut provoquer des blessures.

- Ne dirigez pas le jet du nettoyeur haute pression sur des personnes ou des animaux.
- Éloignez les enfants et les animaux domestiques de la zone de travail.
- Gardez la zone de travail propre des roches, du verre et des débris.
- Le jet d'eau à haute pression peut provoquer des blessures graves.

 **AVERTISSEMENT:** Risque d'asphyxie



Utilisez le nettoyeur haute pression uniquement à l'extérieur dans un endroit entièrement ventilé.

- Utilisez ce produit **UNIQUEMENT** à l'extérieur, loin des fenêtres, des portes et des événements.
- **NE PAS** faire fonctionner ce produit dans des maisons, des garages, des sous-sols, des vides sanitaires ou des remises.
- Placer **TOUJOURS** ce produit sous le vent et diriger l'échappement du moteur loin des espaces occupés.
- Si vous commencez à vous sentir malade, étourdi ou faible lors de l'utilisation de ce produit, éteignez-le et prenez l'air frais **TOUT DE SUITE**. Consultez un médecin, car vous pourriez avoir une intoxication au monoxyde de carbone.

1. Sélection de la buse appropriée pour le travail.

Votre produit est fourni avec une sélection d'embouts de buse à connexion rapide. Les buses sont dimensionnées spécifiquement pour vous donner une pression maximale à tout moment. Chaque buse est marquée et évaluée en degrés de ventilateur. Ils sont également codés par couleur (voir le tableau à la page opposée). Plus le nombre de degrés du ventilateur est élevé, plus le modèle de ventilateur est large. Plus le ventilateur de pulvérisation est serré, plus l'impact sur la surface est bon, ce qui est bon pour le nettoyage des travaux difficiles.

Plus le ventilateur de pulvérisation est large, plus l'impact sur la surface est étendu, donc il est préférable pour les travaux faciles ou les surfaces molles. Trouver la buse appropriée pour le travail à effectuer vous oblige à faire quelques essais. Commencez toujours par le degré de ventilation le plus large et continuez jusqu'aux ventilateurs de degré inférieur jusqu'à ce que le meilleur résultat de travail soit atteint. Testez toujours la buse sur une zone qui n'est pas visible.

NOTIFICATION: Tous les modèles ne sont pas livrés avec toutes les buses décrites dans cette section. Utilisez uniquement les informations relatives aux buses fournies avec votre produit. (Tableau de sélection de buse)

					HAUTE PRESSION, PAS D'INJECTION DE SAVON				SAVON
					0° ROUGE	15° JAUNE	25° VERT	40° BLANC	65° NOIR
0°	✓								
15°	✓	✓							
25°	✓	✓	✓						
40°	✓	✓	✓	✓					
65°	✓	✓	✓	✓					

AGRESSIF **DOUX**

Buse 0° - Rouge: Cette buse délivre un jet précis d'eau sous pression et est extrêmement puissante. Utilisez-le pour les travaux de nettoyage les plus difficiles, bien qu'il ne couvre qu'une petite zone. Cette buse ne doit être dirigée que sur des surfaces pouvant résister à des pressions élevées telles que le métal ou le béton. N'utilisez pas cette buse pour nettoyer le bois ou les surfaces molles.

Buse 15° - Jaune: Cette buse offre un jet de 15 degrés pour un nettoyage et un décapage intensifs. Il ne doit être utilisé que sur des surfaces pouvant résister à la pression de cette buse.

Buse 25° - Vert: Cette buse offre un jet de 25 degrés pour les tâches générales. Il ne doit être utilisé que sur des surfaces pouvant résister à la pression de cette buse.

Buse 40° - Blanc: Cette buse offre un jet de pulvérisation à 40 degrés pour les surfaces facilement endommagées. Il ne doit être utilisé que sur des surfaces pouvant résister à la pression de cette buse.

Buse chimique 65° - Noir: Cette buse est utilisée pour appliquer des produits chimiques spéciaux et des solutions de nettoyage. Cette buse produit le flux de pression le plus faible des buses.

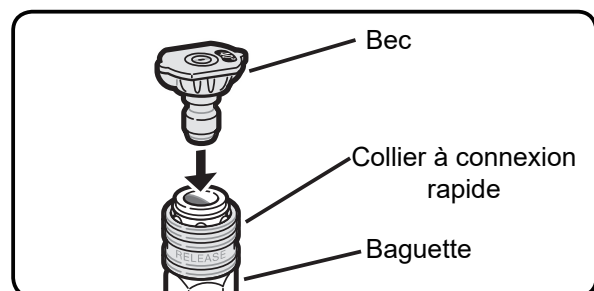
2. Connexion de la buse au bâton de pulvérisation.

AVERTISSEMENT:

- Ne placez jamais les mains devant la buse et ne pointez pas la buse sur votre visage.
- N'essayez jamais de nettoyer une buse obstruée lorsqu'elle est fixée au bâton.
- N'essayez jamais de fixer ou de retirer le bâton de pulvérisation ou les raccords de tuyau pendant que le système de nettoyeur haute pression est sous pression.
- Éteignez la laveuse à pression. Tout en pointant le jet dans une direction de sauvegarde, relâchez la pression en appuyant sur la gâchette. Verrouillez ensuite le déclencheur du pistolet avant d'essayer de changer les buses de pression.

2.1 Pour attacher, tirez le collier à connexion rapide vers l'arrière, insérez la buse dans la buse de pulvérisation à déconnexion rapide femelle et appuyez pour verrouiller en place. Assurez-vous que le collier s'enclenche en place.

2.2 Pour détacher, tirez le collier de connexion rapide vers l'arrière et tirez la buse pour la retirer.



POUR DES QUESTIONS TECHNIQUES, VEUILLEZ APPELEZ LE 1-855-888-3598

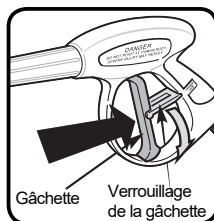
3. Utilisation de pistolet de pulvérisation.

⚠ AVERTISSEMENT:

- Pour empêcher la décharge accidentelle de la rondelle à haute pression, la serrure de déclenchement devrait être engagée toutes les fois que la laveuse à pression n'est pas en utilisation.
- Pour désengager la serrure de déclenchement, abaissez la serrure jusqu'à sa position originale.

Pour actionner le déclenchement:

- 3.1 Serrez le déclenchement pour commencer l'écoulement d'eau par le bec.
- 3.2 Libérez le déclenchement pour arrêter l'écoulement d'eau.



⚠ AVERTISSEMENT: Risque d'injection de fluide/ de surface chaude



QUELQUES PIÈCES DE MOTEUR PEUVENT DEVENIR EXTRÊMEMENT CHAUDES.

Ne pas permettre au dispositif d'échappement d'être contacté par tuyau de moteur de pression qui peut endommager le tuyau.

Les flexibles endommagés peuvent éclater et causer des dommages d'injection.

4. Lavage/nettoyage.

- 4.1 Tenez fermement le pistolet avec les deux mains.
- 4.2 Commencez avec une buse à ventilateur à haut degré et utilisez progressivement le dispositif inférieure pour que la buse réponde à la tâche.
- 4.3 Indiquez le bec une direction sûre et serrez le déclencheur de pistolet de pulvérisation pour permettre à la pompe de purger l'air et des impuretés dans le système et puis de réorienter le bec sur la surface de fonctionnement.
- 4.4 Nettoyez les surfaces verticales et inclinées de haut en bas.
- 4.5 En nettoyant les surfaces horizontales, employez de temps en temps le jet pour dégager le secteur de l'excès d'eau.

- 4.6 Pour un nettoyage plus efficace, gardez la buse de pulvérisation de 8 à 24 pouces de la surface de nettoyage. Si vous obtenez une buse de pulvérisation trop proche, vous pouvez endommager la surface à nettoyer. Il n'est pas recommandé de s'approcher de plus de 6 pouces lors du nettoyage des pneus.

5. Ajustement de pression.

- 5.1 Variez votre distance: Pour modifier l'effet de la pression sur la surface à nettoyer, faites varier la distance entre la buse de pulvérisation et la surface à nettoyer. Plus la surface est proche, plus l'effet de la pression est important. Lorsque vous vous éloignez de la surface, l'effet de pression diminue. Pour un nettoyage plus efficace, gardez la buse entre 8 à 24 pouces de la surface à nettoyer.

6. Utilisation de produits chimiques

NOTIFICATION: N'utilisez que des savons et des produits chimiques conçus pour être utilisés avec une laveuse à pression. **NE PAS UTILISER DE BLANCHIMENT AU CHLORE, D'ACIDES OU DE SOLVANTS INDUSTRIELS.** Les produits chimiques, les savons et les solvants de nettoyage ne siphonneront pas lorsqu'une buse haute pression est utilisée. Utilisez uniquement la buse noire (basse pression) lors de la pulvérisation de détergents. Remplissez le réservoir de détergent (le cas échéant) avec la solution détergente préparée et fermez le bouchon. La laveuse à pression tirera un gallon de détergent pour sept gallons d'eau.

- 6.1 Si votre laveuse à pression est équipée d'un réservoir de savon à bord:
- 6.2 Remplissez le réservoir de savon avec du détergent et fermez le couvercle.
- 6.3 Changez la buse au bâton en buse noire.
- 6.4 Démarrez le moteur et vaporisez avec savon.
- 6.5 Si la laveuse à pression n'est pas équipée d'un réservoir de savon:
- 6.6 Assurez-vous que le tube de siphon avec filtre est connecté au raccord en laiton près de la zone de raccordement du tuyau haute pression de la pompe.

- 6.7 Immergez l'extrémité de la crépine du tube de siphon dans la bouteille ou le seau de solution de savon / détergent.
- 6.8 Changez la buse en buse noire.
- 6.9 Démarrez le moteur et vaporisez avec du savon.

7. Rinçage

- 7.1 Remplacez le bec par un bec à haute pression approprié (voir « Choisir le bec droit » à la page ??). Serrez le déclencheur et attendez le détergent à l'espace libre.
- 7.2 Gardez le pistolet de pulvérisation une distance de sécurité du secteur que vous prévoyez de pulvériser.
- 7.3 Appliquez un pulvérisateur à haute pression à un petit secteur, et puis examinez la surface pour déceler les dommages. Si aucun dommage n'est trouvé, il est correct de continuer de nettoyer.
- 7.4 Pour une surface verticale, commencez par le haut de la zone à rincer, en descendant avec les mêmes traits qui se chevauchent que ceux utilisés pour laver et appliquer le détergent.

8. Consiles de nettoyage

NOTIFICATION: Ne jamais utiliser l'admission d'eau de laveuse à pression pour siphonner le détergent ou la cire. Laissez des produits chimiques et les solutions de nettoyage à l'intérieur de la pompe de pression peuvent l'endommager. Les dommages créés en laissant des savons, produits chimiques et des solutions de nettoyage à l'intérieur de la pompe peuvent vider la garantie.



AVERTISSEMENT: Risque d'injection de fluide / de surface chaude

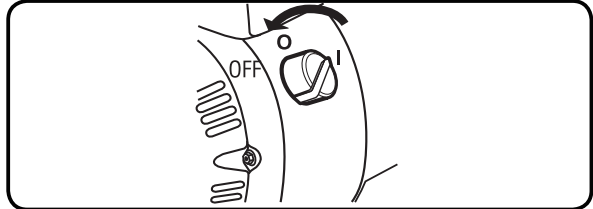


QUELQUES PIÈCES DE MOTEUR PEUVENT DEVENIR EXTRÊMEMENT CHAUDES.

Relâchez la pression du flexible haute pression avant de le retirer de la pompe ou du pistolet. Si vous avez l'intention de déconnecter le flexible haute pression après avoir terminé un lavage, évitez de toucher le système d'échappement du moteur tout en déconnectant le tuyau haute pression de la pompe.

9. Stopping the Pressure Washer

Pour arrêter le moteur en cas d'urgence, mettez l'interrupteur du moteur en position d'arrêt. Dans des conditions normales, utilisez la procédure suivante:



- 9.1 Libérez le déclencheur sur la poignée de pistolet de pulvérisation.
- 9.2 Mettez le commutateur général du moteur en OFF.
- 9.3 Coupez l'approvisionnement en eau.
- 9.4. Pressez le déclencheur pour libérer l'excès de pression.
- 9.5. Si le détergent de laveuse à pression a été employé, mettez en marche de l'eau propre par le système pour éliminer le résidu détersif suivant le procédé suivant.
- 9.6 Arrêtez le moteur comme détaillé en l'étape 2.
- 9.7 Remplissez le réservoir détersif (non fourni) de l'eau propre.
- 9.8 Enlevez le bec et remettez en marche le moteur (après des directions « En mettant en marche le moteur » à la page 15.)
- 9.9 Dirigez la baguette dans la direction sûre et la maintenez pour rincer l'eau par le système jusqu'à ce que propre.
- 9.10 Mettez l'interrupteur du moteur en position d'arrêt.

NOTIFICATION: Fonctionnement en haute altitude

En haute altitude de plus de 3 000 pieds, le carburateur de moteur et toutes les autres pièces qui commandent le rapport carburant-air seront affectés, qui diminuera l'exécution, pour augmenter l'émission de consommation de carburant et d'augmentation. L'opération appropriée peut être assurée en installant un kit d'altitude par un mécanicien qualifié quand utilisation à l'altitude plus haut que 3 000 pieds. Reportez-vous à la trousse d'altitude et aux instructions d'utilisation (fournies) si nécessaire.

NOTIFICATION: Un entretien régulier améliorera les performances et prolongera la durée de vie de votre nettoyeur haute pression. L'entretien doit être effectué par une personne ou un technicien qualifié.

La garantie de la laveuse à pression ne couvre pas les articles qui ont été soumis à l'abus ou à la négligence d'opérateur. Seulement en maintenant la laveuse à pression selon des instructions en ce manuel la pleine valeur de la garantie sera honorée. Quelques ajustements devront être faits périodiquement pour maintenir correctement la laveuse à pression. Tous les service et ajustements devraient être faits au moins à une fois chaque saison. Il est important que le diagramme d'entretien ci-dessous soit suivi.

Beaucoup de procédures d'entretien, y compris tout non détaillé en ce manuel, devront être exécutées par un technicien qualifié pour la sûreté. Si vous avez n'importe quels doutes au sujet de votre capacité d'entretenir sans risque l'équipement ou le moteur, faire entretenir à un technicien qualifié l'équipement à la place.

Programme d'entretien de moteur

NOTIFICATION: Ce programme d'entretien est prévu seulement comme guide général. Si l'exécution diminue ou si l'équipement fonctionne exceptionnellement, vérifiez les systèmes immédiatement. Les besoins d'entretien de chaque morceau d'équipement différeront selon des facteurs tels que le coefficient d'utilisation, la température, la qualité de l'air, la qualité de carburant, et d'autres facteurs.

NOTIFICATION: Les procédures suivantes sont en plus des contrôles réguliers et l'entretien expliqués dans le cadre du fonctionnement normal du moteur et de l'équipement

TABLEAU D'ENTRETIEN DU MOTEUR

ARTICLE	TACHE	CHAQUE UTILISATION	3 MOIS	3 MOIS	1 AN
HUILE MOTEUR	Vérifier le niveau	X			
	Remplacer			X*	
FILTRE À AIR	Vérifier	X			
	Nettoyer		X		
	Remplacer			X*	
BOUGIE D'ALLUMAGE	Nettoyer, ajuster			X**	
	Remplacer				X* **
PARE-ÉTINCELLES	Nettoyer			X	

* Il est recommandé d'être effectué plus fréquemment s'il est utilisé dans un environnement poussiéreux.

** Réglez l'écart entre 0,6 et 0,7 mm.

Entretien de pompe

NOTIFICATION: La pompe à pression est exempte d'entretien. Si vous notez n'importe quel signe de la fuite d'huile dans et autour de la pompe, NE PAS actionner la laveuse à pression. Veuillez appeler notre service à la clientèle à 1-855-888-3598.

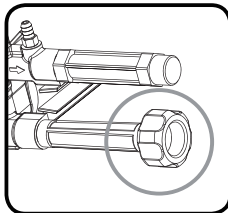
Nettoyage de bec:

De temps en temps, la baguette de jet peut devenir bouchée avec les matériaux étrangers tels que la saleté. Quand ceci se produit la pression excessive peut se développer. Toutes les fois que le bec de pression devient pratiquement bouchée, la pression de pompe palpitera. Il devrait être immédiatement nettoyé.

1. S'assurer que laveuse à pression est coupée et déclenchement de pistolet de pulvérisation est verrouillé.
2. Enlevez le bec de pulvérisation à haute pression de la baguette de jet. Utilisant l'aiguille de nettoyage de bec (fournie), débouchez tous les en insérant et en déplaçant soigneusement le trou traversant de va-et-vient de bec de goupille sous l'eau courante propre.
3. Après nettoyage, enlevez l'aiguille du bec et la stocker pour le futur usage.
4. Rassemblez le bec de pression pour pulvériser la baguette magique.

Filtre pour l'écran d'admission de l'eau de nettoyage:

L'entrée d'eau de la pompe a un tamis filtrant qui doit être vérifié périodiquement et nettoyé si nécessaire.



- Débranchez le tuyau d'entrée d'eau.
- Retirez le filtre en saisissant l'extrémité et tirez-le tout droit.
- Nettoyez le filtre à tamis en rinçant les deux côtés avec de l'eau.
- Réinsérez le filtre à tamis à l'intérieur du port d'entrée d'eau.

NOTIFICATION: N'utilisez pas la laveuse à pression sans le filtre à tamis d'entrée d'eau en place.

Nettoyage de laveuse à pression

Les inspections quotidiennes ou avant utilisation doivent inclure des secteurs autour et sous de la laveuse à pression recherchant des signes des fuites de carburant ou de pétrole. L'entretien préventif devrait être pris si la fuite est trouvée. Nettoyez les débris accumulés de la rondelle extérieure et intérieure de pression. Assurez que toutes les tringleries, ressorts et d'autres commandes de moteur sont maintenus propres. Inspectez les fentes et les ouvertures d'air de refroidissement sur la laveuse à pression. Des ouvertures doivent être maintenues propres et dégagées pour l'exécution maximale de la laveuse à pression. Les éléments de moteur doivent rester propres, ce qui réduit les risques de surchauffe et d'inflammation des débris accumulés.

- Employez un tissu humide pour essuyer les surfaces extérieures.
- Employez une brosse de brin molle pour desserrer la saleté ou le pétrole durci
- Employez un aspirateur d'atelier pour prendre n'importe quels saleté et débris lâches.

Changement d'huile moteur



AVERTISSEMENT: Surface chaude



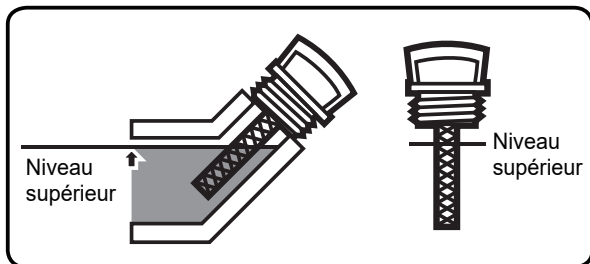
L'huile est très chaude pendant le fonctionnement et peut provoquer de graves brûlures. Avant de changer l'huile moteur, attendez 30 minutes après l'arrêt du moteur pour vous assurer que l'huile moteur a refroidi.

1. Vidange de l'huile moteur:

1. Assurez-vous que le moteur est arrêté, froid et se trouve sur une surface plane.
2. Fermez la soupape de carburant.
3. Placez un bac de vidange (non inclus) sous le bouchon de vidange du carter, situé en bas du moteur.
4. Nettoyez le haut de la jauge et la zone qui l'entoure. Retirez la jauge en la tournant dans le sens antihoraire et essuyez-la avec un chiffon propre et non pelucheux.

5. Retirez le bouchon de vidange et, si possible, inclinez légèrement le carter pour aider à vidanger l'huile dans le carter. Recyclez l'huile usagée.
6. Remplacez le bouchon de vidange et serrez-le.

2. Adding Engine Oil:

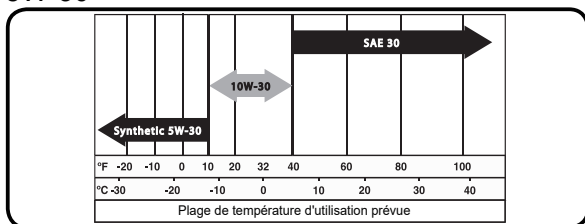


1. Placez le produit sur une surface plane et de niveau.
2. Remplissez le carter avec la quantité requise d'huile moteur propre et fraîche (0,6 litre), en utilisant le tableau ci-dessous pour déterminer la viscosité correcte.
3. Remplacez la jauge dans le trou, mais ne vissez pas. Retirez la jauge pour confirmer le niveau d'huile. Remplacer la jauge et serrer à la main, NE PAS utiliser un outil pour serrer. Un serrage excessif cassera ou endommagera les filetages de la jauge.

NOTIFICATION: Toute l'huile doit être conforme à la classe de service SJ, SL minimum de l'American Petroleum Institute (API) ou mieux. N'utilisez aucun additif spécial. Sélectionnez le degré de viscosité de l'huile en fonction de la température de fonctionnement attendue.

(Voir le tableau ci-dessous)

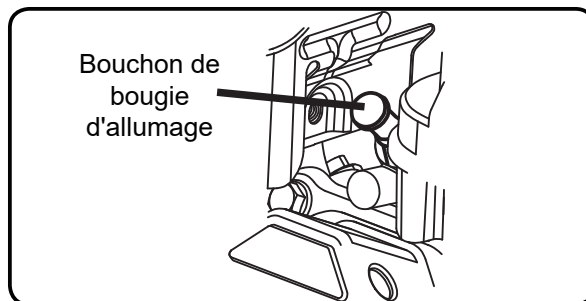
- Au-delà de 40°F, utilisez 10W-30
- Entre 40°F et 10°F, utilisez 10W-30
- En deçà de 10°F, utilisez du synthétique 5W-30



NOTIFICATION: Ne faites pas tourner le moteur avec trop peu d'huile. S'il est équipé d'une coupure d'huile basse, le moteur ne démarre pas avec une huile moteur faible ou nulle.

Entretien de bougie d'allumage:

1. Démontez le bouchon de bougie d'allumage de l'extrémité de la prise. Nettoyez les débris de autour de la bougie d'allumage.
2. Utilisant une clé de bougie d'allumage, enlevez la bougie d'allumage.
3. Inspectez la bougie d'allumage :
 - Si l'électrode est huileuse, la nettoyez utilisant un chiffon propre et sec.
 - Si l'électrode a des dépôts là-dessus, le polissez utilisant le papier d'émeris.
 - Si l'isolateur blanc est criqué ou ébréché, la bougie d'allumage doit être remplacée.



BOUGIES D'ALLUMAGE RECOMMANDÉES	
CHAMPION	RA6HC
NGK	DPCR63

NOTIFICATION: L'utilisation d'une bougie incorrecte peut endommager le moteur. NE PAS trop serrer la bougie, sinon le filetage du moteur pourrait être endommagé.

4. En installant une nouvelle bougie d'allumage,ajustez l'espace de prise sur les spécifications du diagramme de caractéristiques. Ne pas soulever contre l'électrode, la bougie d'allumage peut être endommagé.
 - Installer la nouvelle bougie d'allumage ou la bougie d'allumage nettoyée sur le moteur.
 - Garniture-modèle - Serrez à la main jusqu'à ce que la garniture entre en contact avec la culasse, puis serrez le tour environ 1/ 2 - 2/ 3 davantage.
 - Non-garniture-modèle - Serrez à la main jusqu'à ce que la prise entre en contact avec la culasse,puis serrez environ 1/ 16 tour davantage.
5. Non-garniture-modèle - Serrez à la main jusqu'à ce que la prise entre en contact avec la culasse,puis serrez environ 1/ 16 tour davantage.
6. Remettez le capuchon de bougie en place.

Entretien de filtre à air:

1. Enlevez la couverture de filtre à air et les filtres à air et vérifiez la saleté. Nettoyez comme décrit ci-dessous.
2. Nettoyage:
 - Pour les filtres de papier : Pour empêcher des dommages de la poussière et des débris, portez les lunettes de sûreté Norme ANSI-approuvées, le masque de poussière NIOSH-approuvé/respirateur, et les gants résistants de travail. Dans un secteur bien ventilé à partir des spectateurs, employer l'air pressurisé pour souffler la poussière hors du filtre. Si ceci ne fait pas le filtre propre, le remplacez.
 - Pour des filtres de mousse : Lavez le filtre dans l'eau chaude et le détergent doux plusieurs fois. Rinçage. Essorez l'excès d'eau et lui permettre de sécher complètement. Imbibez le filtre en huile légère brièvement, puis serrer dehors l'excédent d'huile.
3. Installez les filtres nettoyés. Fixez la couverture de filtre à air avant emploi.

Entreposage à long terme

Quand l'équipement doit rester inactif pendant plus de 20 jours, préparez le moteur pour le stockage comme suit :

1. Nettoyage. Attendez le moteur de se refroidir, puis nettoyez le moteur avec le tissu sec.

 **AVERTISSEMENT:** Risque d'incendie / d'explosion



Le carburant et ses vapeurs sont extrêmement inflammables et explosifs, ce qui pourrait provoquer des brûlures, un incendie ou une explosion entraînant la mort ou des blessures graves. Remplissez le réservoir uniquement dans un endroit bien ventilé, loin des sources d'inflammation. Si le moteur est chaud depuis son utilisation, arrêtez-le et attendez qu'il refroidisse avant d'ajouter du carburant. Ne fumez pas et ne laissez pas de flamme nue près du carburant ou de la zone lorsque vous faites le plein.

2. Carburant. Le carburant à essence peut devenir vicié lorsqu'il est stocké pendant plus de 30 jours, ce qui entraînera la formation de dépôts d'acide et de gomme dans le système de carburant ou dans les pièces essentielles du carburateur. Pour garder le carburant frais, ajoutez un stabilisateur de carburant dans le réservoir de carburant. Vidanger l'essence n'est pas nécessaire si le stabilisateur de carburant est utilisé conformément aux instructions qui l'accompagnent. Faites tourner le moteur de la laveuse à pression pendant au moins cinq minutes, après l'ajout de stabilisateur au carburant, pour lui permettre de circuler dans le moteur. Le moteur et le carburant peuvent être stockés jusqu'à 24 mois.

NOTIFICATION: Assurez-vous que l'eau est connectée à la pompe lorsque vous faites tourner le moteur à quelque fin que ce soit.

Lubrification:

1. Pour protéger contre la formation de rouille pendant le stockage, huilez le cylindre.
2. Changez l'huile à moteur.
3. Nettoyez le secteur autour de la bougie d'allumage. Enlevez la bougie d'allumage et versez approximativement 1/2 l'once (15 ml) d'huile à moteur propre dans le cylindre par l'étincelle.
4. Remplacez la bougie d'allumage, mais laissez le bouchon de bougie d'allumage débranché.
5. Tirez la poignée de démarreur pour distribuer l'huile dans le cylindre. Arrêtez après un ou deux révolutions quand vous sentez que le piston commence la course de compression (quand vous commencez à sentir la résistance).

 **AVERTISSEMENT:** Incendie / choc électrique



L'étincellement involontaire peut causer le feu ou le choc électrique. Le manque de respecter cet avertissement peut causer des dégâts matériels graves, des brûlures graves et même la mort.

Démontez le fil de bougie d'allumage du bout de bougie et de couverture d'allumage du fil de bougie d'allumage avec la bande d'isolation et placez le fil là où il ne peut pas contacter la bougie d'allumage ou l'armature de laveuse à pression.

Stockage des accessoires

La laveuse à pression est équipée d'emplacements pour ranger vos accessoires comme indiqué (Voir le schéma sur la page 8).

1. Placez le pistolet pulvérisateur dans le porte-pistolet.
2. Placez la buse dans le panneau supérieur.
3. Enroulez et attachez le tuyau de pression et accrochez-le au support de tuyau.

Préparation de pompe

1. Débranchez le tuyau haute pression et le tuyau d'arrivée d'eau de la pompe.
2. Tirez plusieurs fois la poignée de la corde du démarreur pour expulser l'eau de la pompe.

NOTIFICATION: Il est normal de voir l'eau sortir à la fois à l'entrée et à la sortie de la pompe pendant cet exercice.

Zone de stockage

Couvrez et stockez dans un secteur sec, de niveau, bien ventilé hors de portée des enfants. La zone de stockage devrait également être à partir des sources d'allumage, de tels chauffe-eau, des dessiccateurs de vêtements et des fours.

Préparation pour l'usage après stockage

1. Tirez lentement sur le cordon du démarreur plusieurs fois pour nettoyer l'huile du cylindre ou pour éjecter tout protecteur de pompe de la pompe qui pourrait avoir été ajouté avant le stockage.
2. Retirez la bougie d'allumage du cylindre. Essuyez l'huile de la bougie et retournez-la dans le cylindre et resserrez.
3. Rebranchez le fil de la bougie.
4. Remplissez le moteur selon les instructions précédentes de ce manuel.



ATTENTION: Emplacement de stockage à froid

- Si le produit est exposé à des températures inférieures à 32°F / 0°C pendant le stockage, l'utilisation d'un produit de protection de pompe (non inclus) est requise. Utilisez le produit de protection de la pompe conformément aux instructions du fabricant de la protection de la pompe.
- Le fait de ne pas préparer la pompe pour une exposition à une température froide endommagera la pompe et annulera votre garantie.

Dépannage

Problème	Causes possibles	Solutions possibles
Le moteur ne démarre pas.	Aucun carburant dans le réservoir ou la soupape de carburant n'est en position «OFF».	Remplissez le réservoir de carburant avec de l'essence traitée sans stabilisant sans plomb 87 + octane et tournez le robinet de carburant en position «ON». N'utilisez pas d'essence contenant plus de 10% d'éthanol (E15, E20, E85, etc.).
	Essence de mauvaise qualité, périmée, sale ou détériorée.	Vidangez le réservoir de carburant et le carburateur, remplissez du carburant frais.
	Le Registre n'est pas en position START, moteur froid.	Mettez le Registre en position START.
	Carburateur non amorcé.	Tirez sur la poignée du démarreur pour amorcer.
	Passages de carburant sales dans le carburateur.	Nettoyez les passages à l'aide d'un additif pour carburant. Les dépôts lourds peuvent nécessiter un nettoyage supplémentaire.
	Aiguille du carburateur coincée.	Tapotez doucement le côté de la chambre du flotteur du carburateur avec la poignée du tournevis.
	Trop de carburant dans le cylindre. Cela peut être dû au collage de l'aiguille du carburateur.	Tournez le starter en position RUN. Retirez la bougie et tirez plusieurs fois sur la poignée de démarrage pour aérer la chambre. Réinstallez la bougie et mettez le registre en position START.
	Soupape d'admission coincée ouverte ou fermée.	Appelez le service à la clientèle au: 1-855-888-3598.
	Filtre à carburant bouché.	Remplacez le filtre à carburant.
	Bouchon de bougie non fixé	Branchez correctement le capuchon de bougie.
	Électrode de bougie mouillée ou sale.	Nettoyez la bougie.
	Écart de bougie incorrect	Régalez l'écart des bougies entre 0,6 et 0,7mm
	Bouchon de bougie cassé.	Remplacez le capuchon de bougie.
	Calage d'étincelle incorrect ou système d'allumage défectueux.	Appelez le service à la clientèle au: 1-855-888-3598.
Cylindre non lubrifié. (problème après de longues périodes de stockage).	Versez une cuillère à soupe d'huile dans le trou de la bougie. Faites tourner le moteur plusieurs fois et essayez de redémarrer.	

Dépannage suite

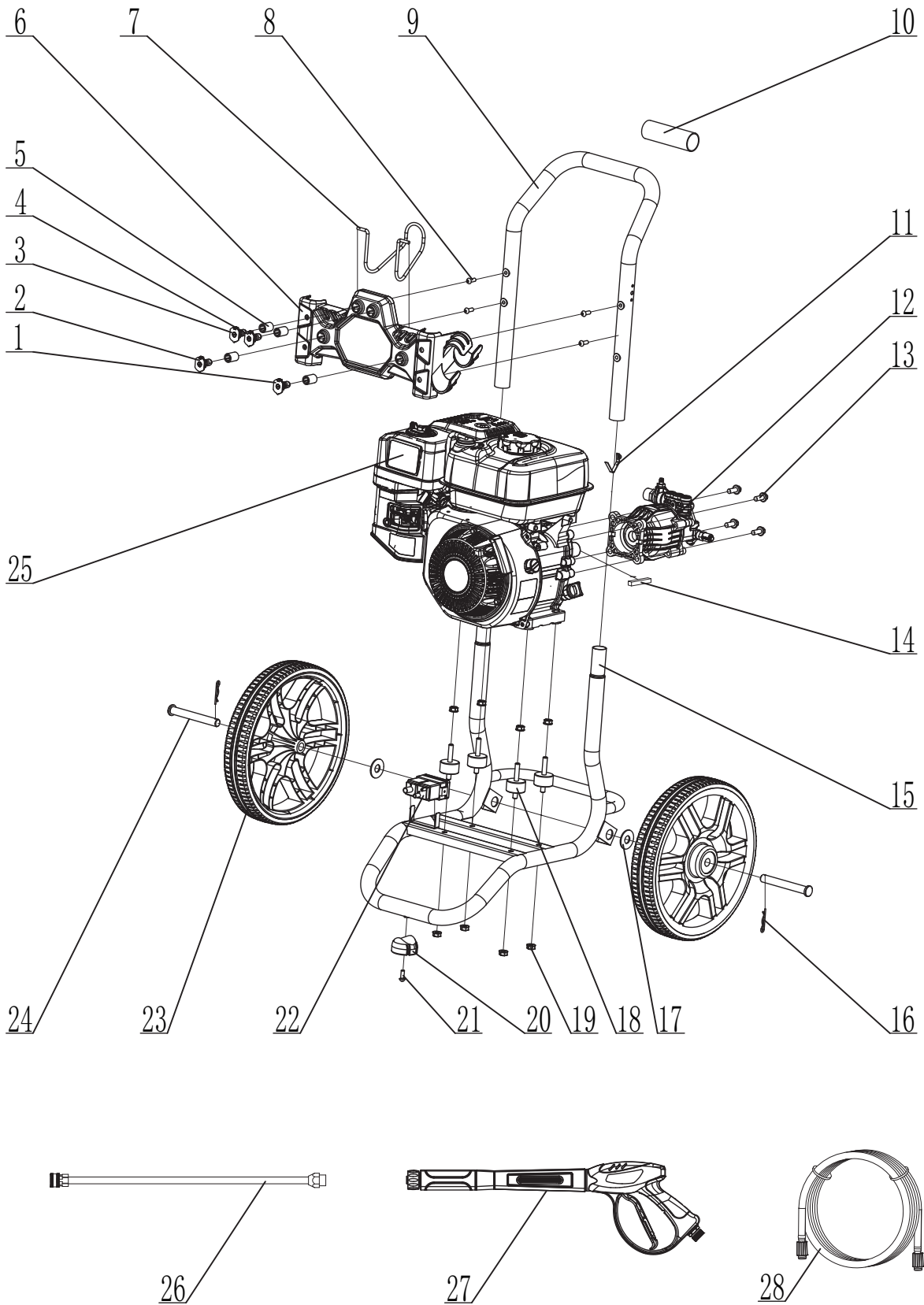
Problème	Causes possibles	Solutions possibles
Le moteur ne démarre pas. (Suite).	Bougie d'allumage desserrée ou cassée. (Un sifflement se produira lors de la tentative de démarrage.)	Serrez la bougie. Si cela ne fonctionne pas, remplacez la bougie. Si le problème persiste, peut avoir un problème de joint de culasse.
	Culasse desserrée ou joint de culasse endommagé. (Un sifflement se produira lors de la tentative de démarrage.)	Serrez la tête. Si cela ne résout pas le problème, remplacez le joint de culasse.
	Soupapes ou poussoirs du moteur mal réglés ou coincés.	Appelez le service à la clientèle au: 1-855-888-3598.
	Huile moteur faible.	Remplissez d'huile moteur au niveau approprié.
	Produit sur une pente ou une surface non nivelée, déclenchant un arrêt d'huile faible.	Déplacez le produit sur une surface plane.
Le moteur «chasse» ou vacille.	Le carburateur fonctionne trop ou moins.	Appelez le service à la clientèle au: 1-855-888-3598.
	Filtre à carburant bouché ou sale.	Nettoyez ou remplacez le filtre à carburant.
Le moteur manque de puissance.	La compression du cylindre est faible.	Appelez le service à la clientèle au: 1-855-888-3598.
	Filtre à air sale.	Nettoyez ou remplacez le filtre à carburant.
Ratés du moteur	Bouchon de bougie desserré.	Vérifiez toutes les connexions des câbles.
	Bougie d'allumage incorrecte ou défectueuse.	Réécarterez ou remplacez la bougie.
	Bouchon de bougie défectueux.	Remplacez le capuchon de bougie.
	Essence désuète ou de mauvaise qualité.	Utilisez uniquement de l'essence sans plomb traitée au stabilisant octane 87+. N'utilisez pas d'essence contenant plus de 10% d'éthanol (E15, E20, E85, etc.).
	Compression incorrecte.	Appelez le service à la clientèle au: 1-855-888-3598.
Le moteur s'arrête soudainement.	Réservoir de carburant vide ou plein d'essence impure ou de mauvaise qualité.	Remplissez le réservoir de carburant avec de l'essence sans plomb traitée au stabilisateur d'octane 87+. N'utilisez pas d'essence contenant plus de 10% d'éthanol (E15, E20, E85, etc.).
	Arrêt par huile faible.	Remplissez d'huile moteur au niveau approprié.

POUR DES QUESTIONS TECHNIQUES, VEUILLEZ APPELÉZ LE 1-855-888-3598

Le moteur s'arrête soudainement (Suite).	Bouchon de réservoir de carburant défectueux créant un vide, empêchant un bon débit de carburant.	Testez / remplacez le bouchon du réservoir de carburant.
	Magnéto défectueuse.	Appelez le service à la clientèle au: 1-855-888-3598.
	Bouchon de bougie déconnecté ou mal connecté.	Fixez le capuchon de bougie.
Arrêt de moteur sous forte charge	Filtre à air sale	Nettoyez ou remplacez l'élément filtrant.
	Moteur fonctionne à froid.	Laissez le moteur se réchauffer avant d'utiliser l'équipement.
Le moteur cogne.	Essence désuète ou de mauvaise qualité.	Utilisez uniquement de l'essence sans plomb traitée au stabilisant octane 87+. N'utilisez pas d'essence avec plus de Éthanol à 10% (E15, E20, E85, etc.).
	Moteur surchargé.	Ne dépassez pas la charge nominale de l'équipement.
	Calage d'étincelle incorrect, accumulation de dépôts, moteur usé ou autre problème mécanique.	Appelez le service à la clientèle au: 1-855-888-3598.
Rentrée de flammes du moteur	Essence impure ou de mauvaise qualité.	Utilisez uniquement de l'essence sans plomb traitée au stabilisant octane 87+. N'utilisez pas d'essence contenant plus de 10% d'éthanol (E15, E20, E85, etc.).
	Moteur trop froid.	Laissez le moteur se réchauffer avant d'utiliser l'équipement.
	BSoupape d'admission moteur bloqué ou surchauffé.	Appelez le service à la clientèle au: 1-855-888-3598.
	Calage de moteur incorrect.	
Le moteur s'arrête soudainement.	Aucune buse insérée dans le raccord à connexion rapide du bâton	Voir «Sélection de la bonne buse» à la page 16.
	Alimentation en eau insuffisante.	L'alimentation en eau doit être de 5 GPM @ 20 PSI minimum.
	Raccord de tuyau qui fuit	Vérifiez et serrez tous les raccords de tuyau
	La buse est bouchée.	Nettoyez la buse (Voir «Nettoyage de la buse» à la page 20).
	Écran du filtre d'entrée d'eau obstrué.	Retirez et nettoyez le filtre.
	Air dans le tuyau.	Appuyez sur la gâchette pour éliminer l'air.
	Levier de registre en position «START».	Déplacez le registre en position «RUN».

Dépannage suite

Problème	Causes possibles	Solutions possibles
La pression de sortie varie.	Pas assez d'eau.	Vérifiez le tuyau d'alimentation en eau pour les plis, les fuites ou les blocages. Ouvrez complètement le robinet.
	Le tamis d'arrivée d'eau est bouché.	Retirez et nettoyez le filtre.
	La buse est bouchée.	Nettoyez la buse (Voir «Nettoyage de la buse» à la page 20).
	La buse a une accumulation de minéraux.	Retirez la buse et nettoyez avec du vinaigre.
Fuite d'eau ou d'huile à la pompe	Connexions lâches.	Vérifiez et resserrez toutes les connexions.
	Joints en O usés ou cassés.	Appelez le service à la clientèle au: 1-855-888-3598.
	Tête de pompe ou tubes endommagés par le gel.	
Pas de prise de détergent	Le tuyau de détergent n'est pas correctement inséré dans l'unité.	Poussez fermement sur le raccord de l'injecteur.
	Tuyau d'injecteur de savon fissuré ou fendu.	Remplacez le tuyau.
	Mauvaise buse.	Passez à la buse SOAP noire.
	L'injecteur s'est éteint.	Allumez l'injecteur.
	Crépine de tuyau d'injection bouchée	Nettoyez le tuyau et la crépine.
	Buse bloquée.	Nettoyez la buse.
	Détergent séché dans l'injecteur.	Dissolvez en faisant couler de l'eau chaude dans le tuyau d'injection. Faites couler de l'eau propre dans l'injecteur jusqu'à ce qu'elle soit claire.
Fuite d'eau au niveau du raccord pistolet / lance	Connexion de tuyau lâche.	Vérifiez et resserrez toutes les connexions.
	Joint en O usé, cassé ou manquant.	Appelez le service à la clientèle au: 1-855-888-3598.



POUR DES QUESTIONS TECHNIQUES, VEUILLEZ APPELEZ LE 1-855-888-3598

**GARANTIE LIMITÉE
CONSERVEZ VOTRE REÇU.**

Une preuve d'achat sera requise pour justifier toute réclamation au titre de la garantie.

CE QUI EST COUVERT:

A-iPower Corp. garantit à l'acheteur au détail d'origine aux États-Unis d'Amérique ou au Canada que ce produit est exempt de défauts de matériaux et de fabrication et accepte, sous la direction d'A-iPower Corp, de réparer, de fournir des pièces de rechange pour, ou remplacer (sans frais pour les pièces ou la main-d'oeuvre) tout produit ou composant présentant un défaut matériel pendant une période de 2 ans à compter de la date d'achat, sauf dans les cas limités ci-dessous. Le service de garantie et les pièces de rechange sont garantis uniquement pendant la durée de la garantie sur le produit d'origine. Toutes les pièces ou produits remplacés deviennent la propriété d'A-iPower Corp. Ce produit est également couvert par une garantie du système de contrôle des émissions qui est distincte et en plus de la garantie.

Garantie

Garantie limitée A-iPower - 3 ans résidentiel et 1 an commercial. La garantie résidentielle de 3 ans s'applique comme suit : 1ère, 2e année Pièces et main-d'oeuvre / 3e année Pièces SEULEMENT Gracias por elegir los productos A-iPower. Para asegurar el registro adecuado de la garantía de su producto, deberá enviarnos el registro de la garantía junto con el comprobante de compra dentro de los 10 días siguientes a la fecha de compra, esto se puede realizarse mediante:

A. Remplissez le formulaire d'enregistrement de la garantie au dos de ce manuel et l'envoyer à:

B. Visitez-nous sur www.a-ipower.com et cliquez sur l'icône d'enregistrement du produit.

A-IPOWER CORP
10887 COMMERCE WAY UNIT A
FONTANA CA 92337 USA

Durée de la garantie

A-iPower fournira une garantie pour l'un de ses produits achetés auprès d'un revendeur A-iPower autorisé en Amérique du Nord à l'acheteur d'origine et sera garantie contre les défauts de matériaux ou de fabrication pendant une période de deux (2) ans pour le consommateur utiliser à partir de la date d'achat, sous réserve des exclusions indiquées dans les présentes. Les applications commerciales et de location sont garanties pour une période d'un (1) an à compter de la date d'achat.

«Utilisation par consommateur» - utilisation résidentielle par un consommateur au détail
«Utilisation commerciale» - toute autre utilisation - à des fins commerciales, d'affaires, industrielles ou de location.

Comment obtenir le service de garantie

Veuillez appeler notre service clients 1-855-888-3598 ou envoyer un e-mail à support@a-ipower.com

Veuillez disposer des informations nécessaires - numéro de modèle, numéro de série, preuve d'achat.

NE RETOURNEZ PAS LE PRODUIT AU LIEU D'ACHAT

Le service à la clientèle d'A-iPower répondra à toutes les questions relatives au produit et aidera à résoudre les problèmes et enverra toutes les pièces de rechange si nécessaire pendant que le produit est dans la période de garantie sans frais. Si le problème ne peut pas être résolu, le service client d'A-iPower, à sa discrétion, détermine et autorise le diagnostic et la réparation via l'un de ses centres de service autorisés. A-iPower Corp peut, à sa discrétion, choisir de remplacer une pièce, un composant ou un produit. Le service ou le remplacement de pièces dans un centre de réparation non autorisé sans autorisation préalable ne sera pas couvert par cette garantie.

Exclusions de garantie

Cette garantie ne couvre pas les éléments suivants:

Usure et maintenance régulière - cette garantie ne couvre pas les réparations lorsque l'utilisation normale a épuisé la durée de vie d'une ou de plusieurs pièces ou d'un moteur.

Installation et maintenance - cette garantie ne couvre pas le montage, l'altération, la modification ou tout autre dommage incorrect ou non autorisé résultant d'une mauvaise utilisation ou d'une négligence.

Pièces de maintenance normale - cette garantie ne couvre pas les bougies d'allumage, les filtres à air, les réglages ou tout autre service connexe en raison d'obstructions et d'autres accumulations résultant d'une mauvaise maintenance.

Exclusions supplémentaires - cette garantie ne couvre pas les pièces portables telles que les filers, les bougies d'allumage, les joints toriques, les piles, etc. Elle ne couvre pas les défauts esthétiques tels que les rayures sur la peinture, les décalcomanies, etc. pièces non d'origine du fabricant, utilisation de pièces de rechange. Elle ne couvre pas les défaillances dues à des cas de force majeure et à d'autres événements de force majeure échappant au contrôle du fabricant.

Limites de garantie et implications et dommages consécutifs

A-iPower n'est pas tenu de couvrir toute perte de temps, utilisation du produit, frais de transport ou toute autre réclamation accessoire ou consécutive à l'utilisation de ce produit. Cette garantie remplace toutes les autres garanties, expresses ou implicites.

Cette garantie vous donne des droits légaux spécifiques qui varient d'un état à l'autre.

DIRECTIVES DE RETOUR DE MARCHANDISES

- Tous les produits doivent être retournés dans leur emballage d'origine ou équivalent. Les retours mal emballés ne seront pas acceptés.
- Il doit avoir un emballage adéquat pour le transport.
- La loi fédérale exige que toutes les machines qui utilisent de l'essence, de l'huile ou d'autres liquides inflammables doivent être vidangées complètement et exhaustivement avant l'expédition.
- Les bouchons de gaz et les bouchons d'huile doivent être laissés fermés pendant 24 heures avant l'expédition. Veuillez noter: la responsabilité de cette violation de la loi incombe à l'expéditeur de l'envoi.
- Retour à l'adresse fournie dans l'autorisation de retour, en utilisant le service de colis requis.
- Les équipements retournés sans autorisation ne seront pas acceptés.
- Veuillez noter: aucun remboursement ne sera accordé pour les articles qui ont été modifiés ou endommagés par un abus ou une utilisation non conforme aux instructions du produit.



Fontana, CA 92337 USA
Téléphone: 1-855-888-3598
support@a-ipower.com
www.a-ipower.com
Fabriqué en Chine



Fontana, CA 92337 USA
Téléphone: 1-855-888-3598
support@a-ipower.com
www.a-ipower.com
Fabriqué en Chine