



Illustrated Parts List



This pressure washer is rated in accordance to the Pressure Washer Manufacture Association (PWMA) standard PW101 (Testing and Rating Performance of Pressure Washers).

Questions? Help is just a moment away!

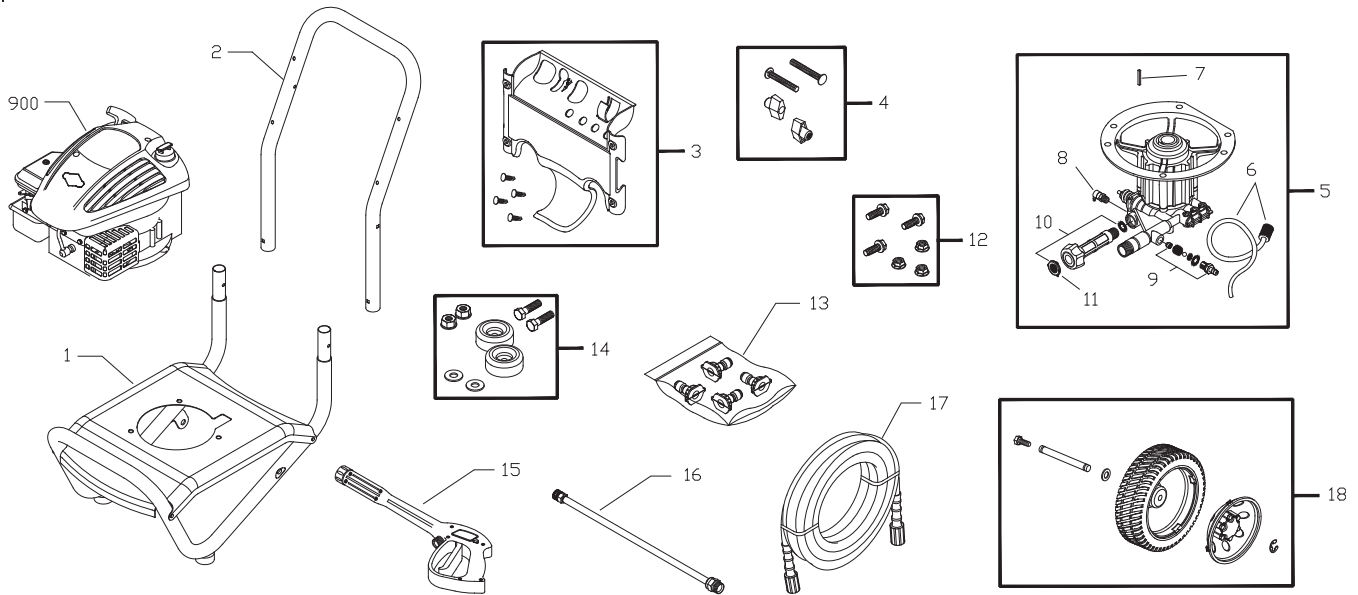
Call: **Pressure Washer Helpline**

1-800-743-4115 M-F 8-5 CT

BRIGGS & STRATTON POWER PRODUCTS GROUP, LLC
JEFFERSON, WISCONSIN, U.S.A.

Model No. 020387-0 (2200 PSI (151.7 BARS) Pressure Washer) IPL No. 209664 Revision - (02/27/2009)

Exploded View and Parts List — Main Unit



Item	Part #	Description
1	209570GS	BASE, w/Mounts
2	J199110GS	HANDLE
3	209590GS	BILLBOARD, w/Decals & Clips
	195964GS	Clips, Tree
4	B2203GS	KIT, Handle Connector
5	206383GS	PUMP
6	189971GS	Kit, Chemical Hose
7	23139GS	Key
8	208673GS	Valve, Thermal Relief
9	200279GS	Kit, Chemical Injection
10	200278GS	Kit, Water Inlet
11	B2384GS	Filter, Inlet
12	192525GS	KIT, Pump Mounting Hardware
13	204971GS	KIT, Spray Tips
	198841GS	Nozzle, Soap
	195983AEGS	Nozzle, QC, Red
	195983RGS	Nozzle, QC, White
	195983XGS	Nozzle, QC, Yellow
14	192310GS	KIT, Vibration Mount
15	204627GS	GUN

Item	Part #	Description
16	200595GS	EXTENSION, QC
17	196138GS	HOSE
18	209568GS	KIT, Wheel
	192050GS	E-Ring
	200520GS	Hubcap
	205413GS	Axle
900	§	ENGINE

Items Not Illustrated

209127GS	MANUAL, Operator's
194256GS	KIT, Tag/Warning, Service
794693	DECAL, Warning
793973	ASSY, Shroud/Label
209121GS	DECAL, Shroud
BB3061BGS	OIL BOTTLE

Optional Accessories

6048	KIT, O-Ring Maintenance
6039	PUMP SAVER

§ - Contact Engine Manufacturer

Copyright © 2009 Briggs & Stratton Power Products Group, LLC. All rights reserved. No part of this material may be reproduced or transmitted in any form without the express written permission of Briggs & Stratton Power Products Group, LLC.