



Illustrated Parts List



Questions? Help is just a moment away!

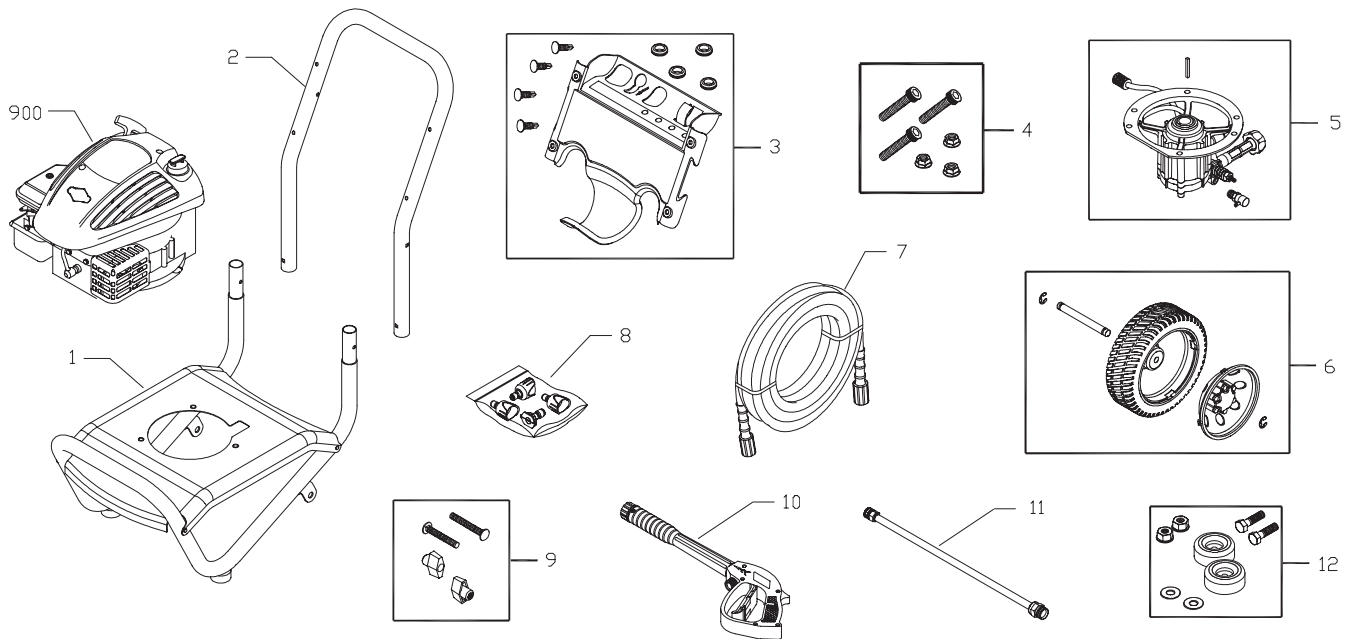
Call: **Pressure Washer Helpline**

1-800-743-4115 M-F 8-5 CT

BRIGGS & STRATTON POWER PRODUCTS GROUP, LLC
JEFFERSON, WISCONSIN, U.S.A.

Model No. 020305 (2200 PSI (151.7 BARS) Pressure Washer) Manual No. 203786A Revision C (05/30/2007)

Exploded View and Parts List — Main Unit



Item	Part #	Description
1	202481GS	ASSY, Base
2	J199110GS	HANDLE
3	202482GS	KIT, Billbrd Assy w/Decals & Clips
	195964GS	Clips, Tree
	30809GS	Grommet
4	192649GS	KIT, Pump Mounting Hardware
5	200200GS	ASSY, Pump
	194298GS	Valve, Thermal Relief
	23139GS	Key
6	202483GS	KIT, Wheel
	201313GS	Axle
	200520GS	Hubcap
	192050GS	E-Ring
7	202017GS	HOSE
8	202181GS	KIT, Nozzles
	198841GS	Nozzle, Soap
	201580AEGS	Nozzle, QC, Project Pro, Red
	201580XGS	Nozzle, QC, Project Pro, Orange
	201580RGS	Nozzle, QC, Project Pro, Yellow
9	B2203GS	KIT, Handle Connector
10	193482GS	GUN
11	200595GS	EXTENSION
12	192310GS	KIT, Vibration Mount
900	§	ENGINE

Items Not Illustrated:

203786	MANUAL, Operator's
195015GS	KIT, Tag/Warning Srv
BB3061BGS	OIL BOTTLE
200672GS	DECAL, Warning, Hearing
202243GS	DECAL, Shroud
793973	ASSY, Shroud/Label
794693	LABEL, Warning
87815GS	GOGGLES

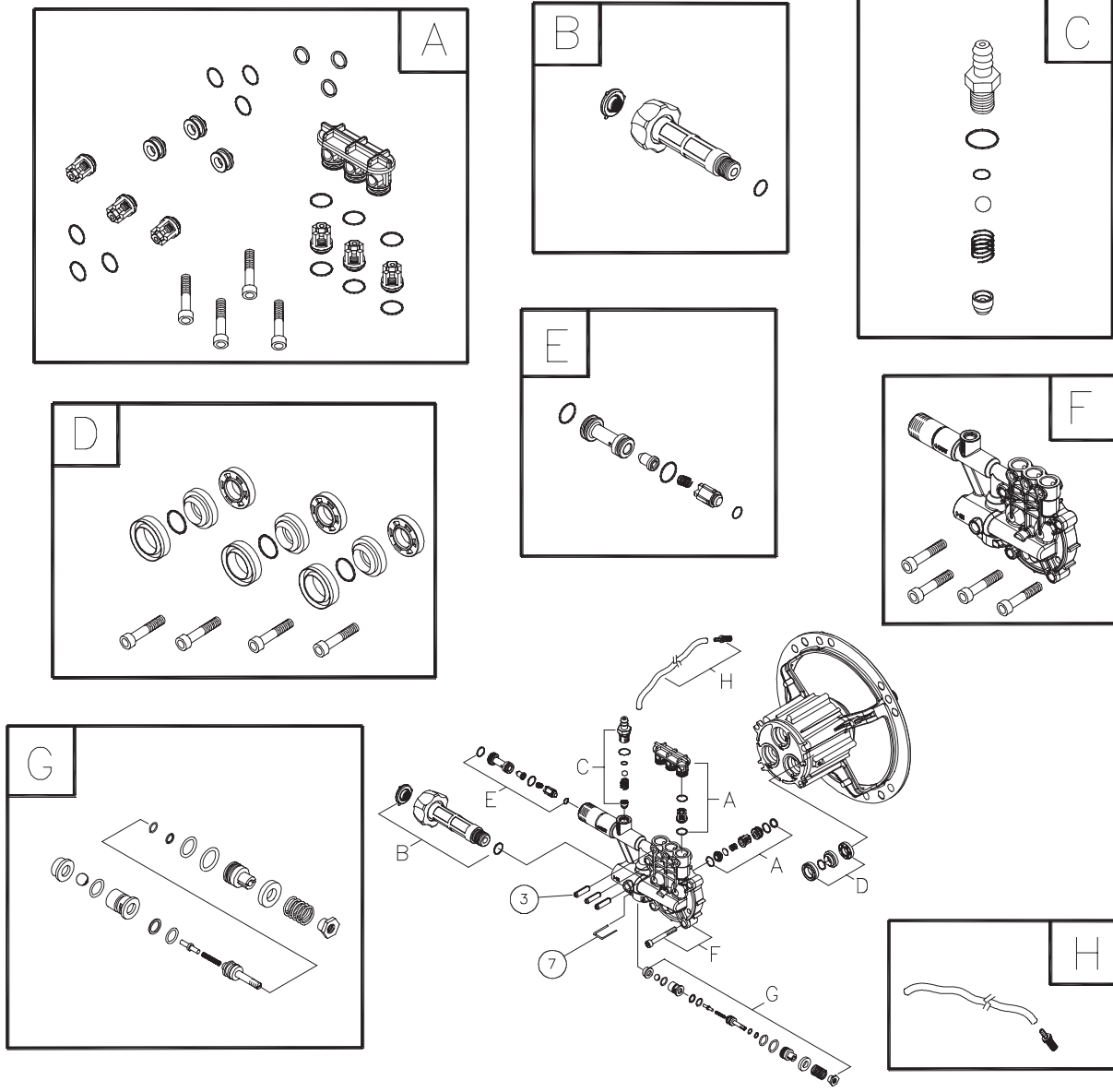
Optional Accessories

6048	KIT, O-Ring Maintenance
6039	PUMP SAVER

§ - Contact Engine Manufacturer

Copyright © 2007 Briggs & Stratton Power Products Group, LLC. All rights reserved. No part of this material may be reproduced or transmitted in any form by any means without the express written permission of Briggs & Stratton Power Products Group, LLC.

Exploded View and Parts List — Pump



Item	Part #	Description
3	200274GS	PLUG, Elastic
7	190578GS	PIN
A	200298GS	KIT, CHECK VALVES
B	200278GS	KIT, WATER INLET
C	200279GS	KIT, CHEMICAL INJECTION
D	200280GS	KIT, HIGH PRESSURE SEALS
E	200281GS	KIT, CHEM INJECT VENTURI
F	200282GS	KIT, PUMP HEAD, ALUM
G	200283GS	KIT, BY-PASS
H	189971GS	KIT, CHEMICAL HOSE

Parts Not Illustrated
 B2384GS FILTER, Inlet

NOTE: Item letters A - H are service kits and include all parts shown within the box.