



Illustrated Parts List



Questions? Help is just a moment away!

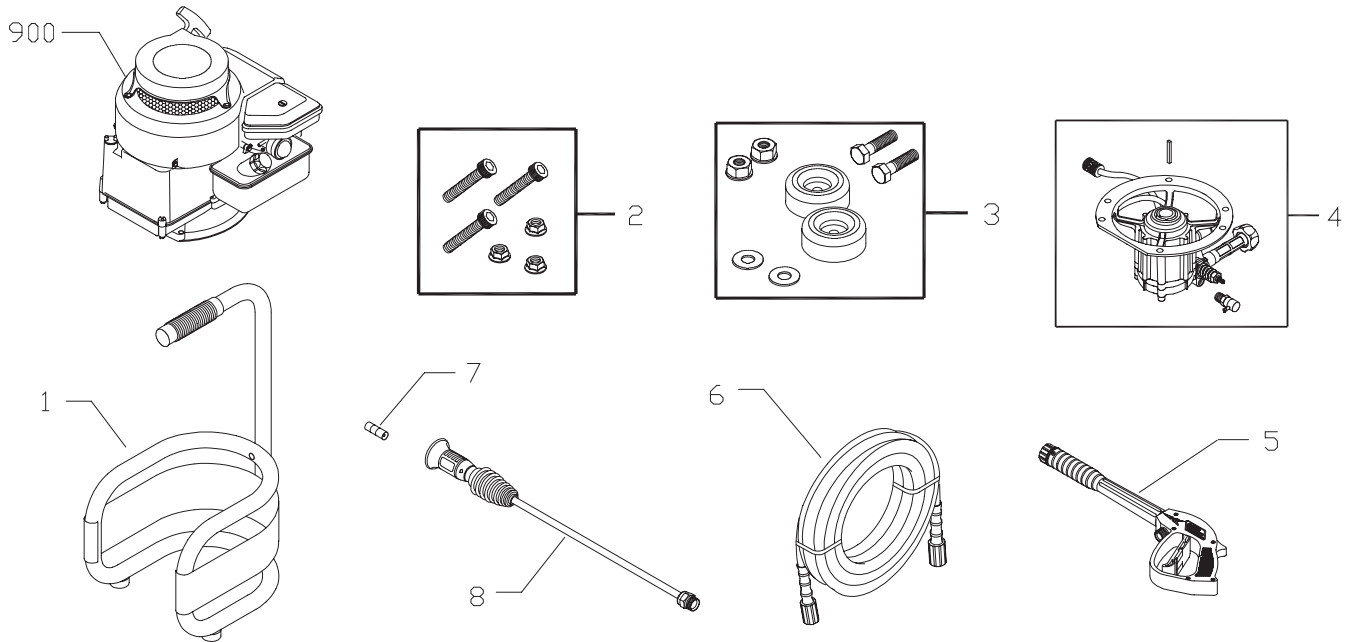
Call: **Pressure Washer Helpline**

1-800-743-4115 M-F 8-5 CT

BRIGGS & STRATTON POWER PRODUCTS GROUP, LLC
JEFFERSON, WISCONSIN, U.S.A.

Model No. 020304 (1900 PSI (131 BARS) Pressure Washer) Manual No. 203785A Revision A (04/11/2007)

Exploded View and Parts list — Main Unit



Item	Part #	Description	Items Not Illustrated:
1	J202097GS	ASSY, Base	203826GS
	191163GS	Grip, Handle	BB3061BGS
2	192308GS	KIT, Pump/Engine Mounting Hardware	192754GS
3	192310GS	KIT, Vibration Mount	200672GS
4	200200GS	ASSY, Pump	282863
	194298GS	Valve, Thermal Relief	195015GS
	23139GS	Key	202298GS
5	193482GS	GUN	
6	196006GS	HOSE, 25'	
7	193609DGS	ORIFICE	
8	194344DGS	ASSY, Wand Hi - Lo	
900	§	ENGINE	

Items Not Illustrated:

MANUAL, Operator's
 OIL BOTTLE
 DECAL, Warning
 DECAL, Caution Hearing
 SCREEN, Static
 KIT, Hang Tags, Warning Eng/Frnch
 KIT, Decals

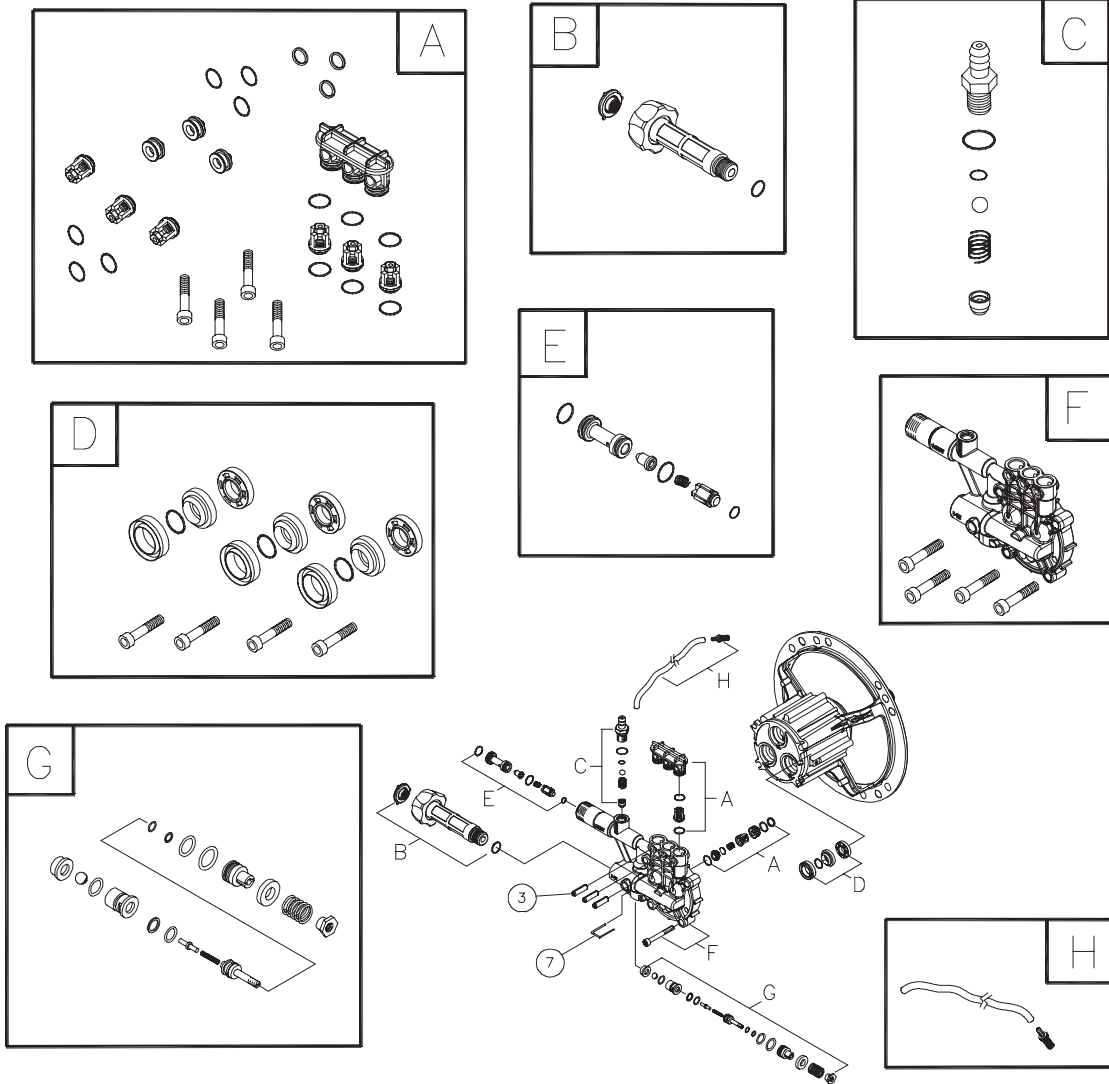
Optional Accessories

6048 KIT, O-Ring Maintenance
 6039 PUMP SAVER

§ - Contact Engine Manufacturer

Copyright © 2007 Briggs & Stratton Power Products Group, LLC. All rights reserved. No part of this material may be reproduced or transmitted in any form by any means without the express written permission of Briggs & Stratton Power Products Group, LLC.

Exploded View and Parts List — Pump



Item	Part #	Description
3	200274GS	PLUG, Elastic
7	190578GS	PIN
A	200298GS	KIT, CHECK VALVES
B	200278GS	KIT, WATER INLET
C	200279GS	KIT, CHEMICAL INJECTION
D	200280GS	KIT, HIGH PRESSURE SEALS
E	200281GS	KIT, CHEM INJECT VENTURI
F	200282GS	KIT, PUMP HEAD, ALUM
G	200283GS	KIT, BY-PASS
H	189971GS	KIT, CHEMICAL HOSE

Parts Not Illustrated	
B2384GS	FILTER, Inlet
186452GS	FILTER, Inlet, Bag of 10

NOTE: Item letters A - H are service kits and include all parts shown within the box.