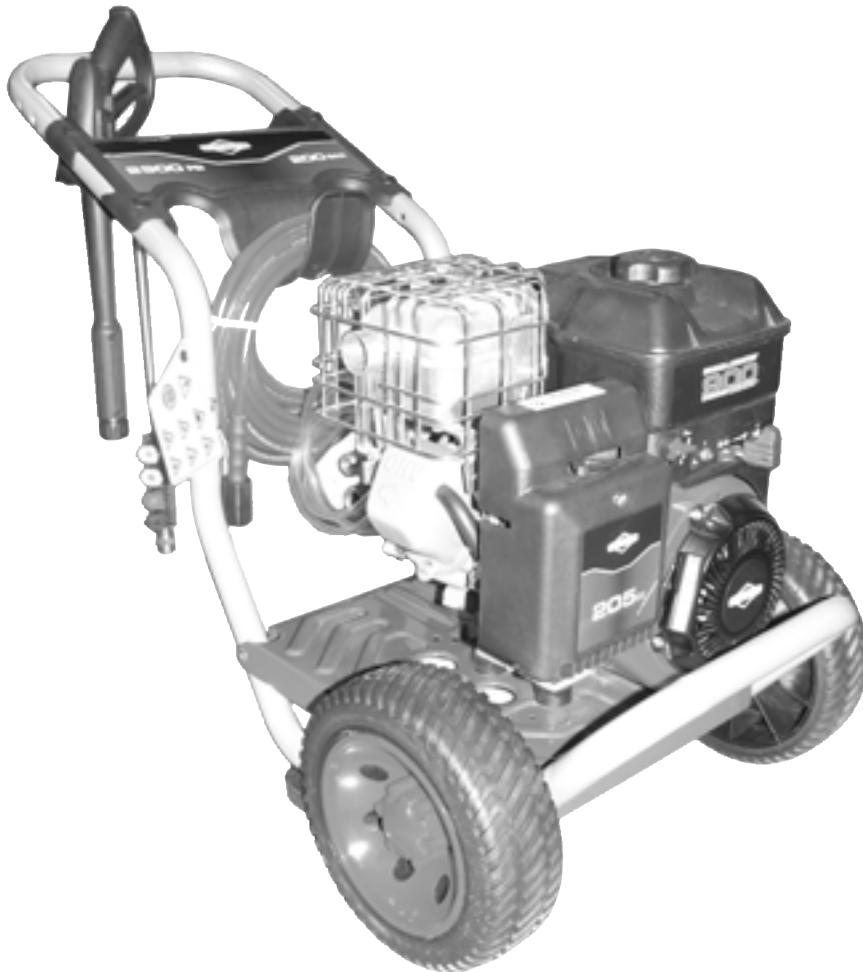




## *Illustrated Parts List*



This pressure washer is rated in accordance to the Pressure Washer Manufacture Association (PWMA) standard PW101 (Testing and Rating Performance of Pressure Washers).

Questions? Help is just a moment away!

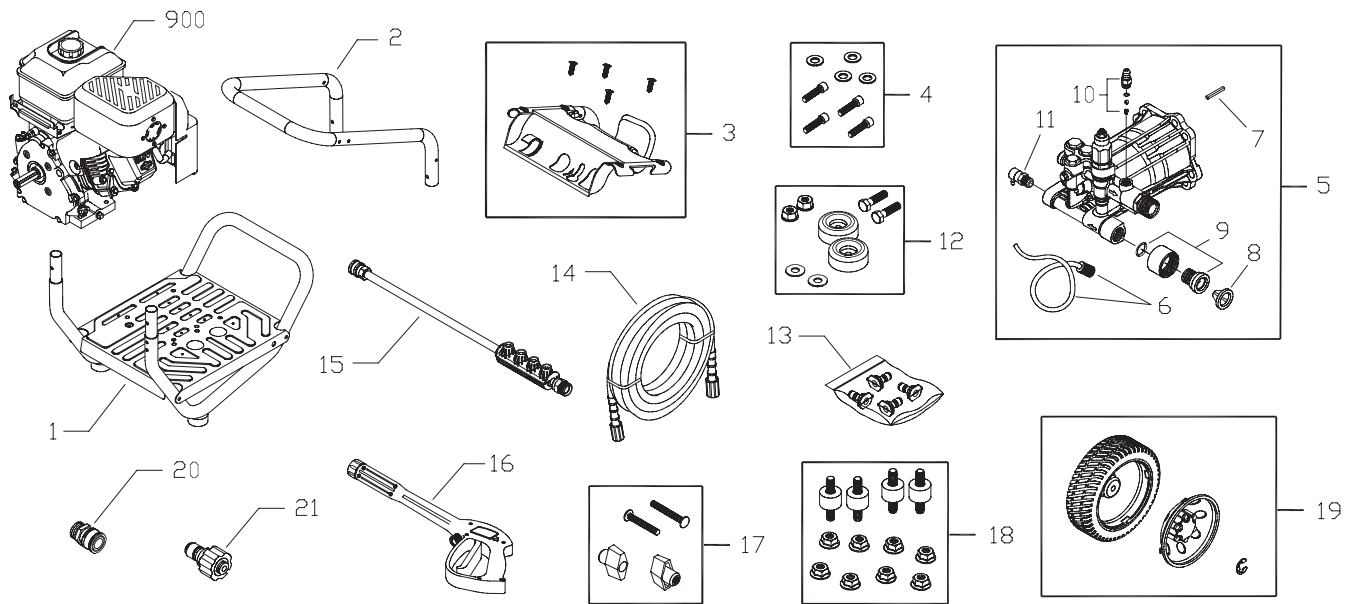
Call: **Pressure Washer Helpline**

**1-800-743-4115** M-F 8-5 CT

**BRIGGS & STRATTON POWER PRODUCTS GROUP, LLC**  
**JEFFERSON, WISCONSIN, U.S.A.**

Model No. 020379 (2900 PSI (199.9 BARS) Pressure Washer) Manual No. 207487A Revision - (08/12/2008)

# Exploded View and Parts List — Main Unit



Item	Part #	Description
1	203575GS	BASE, w/Mounts
2	J201499GS	HANDLE
3	204865GS	KIT, Billboard/Decals, w/Clips
	195964GS	Clips, Tree
4	192131GS	KIT, Pump Mounting Hardware
5	203901GS	ASSY, Pump
6	189971GS	Kit, Chemical Hose
7	23139DGS	Key
8	B2384GS	Filter, Inlet
9	204085GS	Kit, Water Inlet
10	192914GS	Kit, Hose Tail
11	194298GS	Valve, Thermal Relief
12	192553GS	KIT, Vibration Mount
13	207471GS	KIT, Nozzle
	195983XGS	Nozzle, QC, Yellow
	195983AAGS	Nozzle, QC, Red
	195983RGS	Nozzle, QC, White
	198841GS	Nozzle, Plastic, Soap
14	202017GS	HOSE
15	192198GS	WAND, Nozzle Holder
16	204627GS	GUN
17	B2203GS	KIT, Handle Fastening
18	192134GS	KIT, Engine Mounting Hardware

Item	Part #	Description
19	203083GS	KIT, Wheel
	200520GS	Hubcap
	192050GS	E-Ring
20	95518GS	QUICK CONNECT, Coupler
21	95519GS	QUICK CONNECT
900	§	ENGINE

### Items Not Illustrated

207487GS	MANUAL, Operator's
87815GS	GOGGLES
203874GS	AXLE
695755	KNOB, Throttle
6048	KIT, O-Ring Maintenance
192014GS	FITTING, Hose, 1/2"
192015GS	FITTING, Hose, 3/4"
200171GS	KIT, Tag Warning, Srv
204861GS	KIT, Decals, Srv

### Optional Accessories

6039	PUMP SAVER
------	------------

§ - Contact Engine Manufacturer

Copyright © 2008 Briggs & Stratton Power Products Group, LLC. All rights reserved. No part of this material may be reproduced or transmitted in any form by any means without the express written permission of Briggs & Stratton Power Products Group, LLC.