



## *Illustrated Parts List*



Questions? Help is just a moment away!

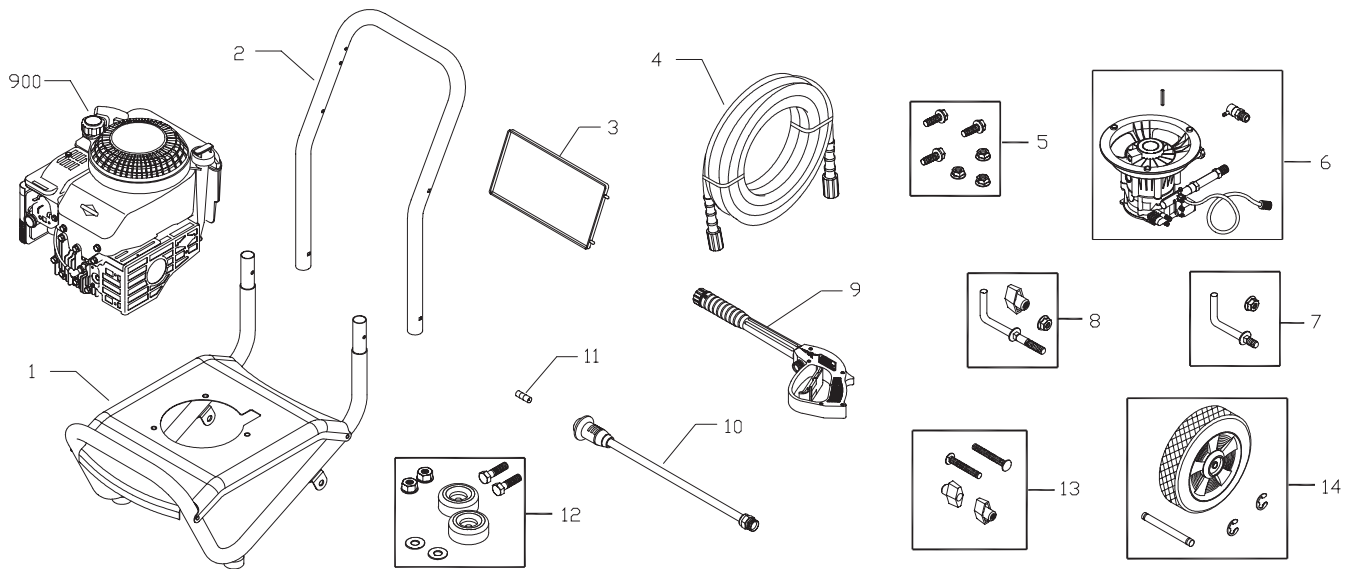
Call: **Pressure Washer Helpline**

**1-800-743-4115** M-F 8-5 CT

**BRIGGS & STRATTON POWER PRODUCTS GROUP, LLC**  
**JEFFERSON, WISCONSIN, U.S.A.**

Model No. 020223 (2400 PSI (165 BARS) Pressure Washer) Manual No. 203761A Revision - (06/26/2007)

# Exploded View and Parts List — Main Unit



Item	Part #	Description
1	195339GS	BASE
2	B194718GS	HANDLE
3	195052GS	ASSY, Billboard w/Decal
4	196006GS	HOSE
5	192529GS	KIT, Pump Mounting Hardware
6	199735GS	ASSY, Pump
	194298GS	Valve, Thermal Relief
	23139GS	Key
7	192309GS	KIT, Hook, Base
8	194264GS	KIT, Hook, Handle
9	193482GS	GUN
10	188792HGS	WAND, Adjustable Nozzle
11	21760GS	ORIFICE
12	192310GS	KIT, Vibration Mount
13	B2203GS	KIT, Handle Connector
14	194255GS	KIT, Wheel
	192006GS	Axle
	192050GS	E-Ring
900	§	ENGINE

### Items Not Illustrated:

203761GS	MANUAL, Operator's
MS6847	MANUAL, Engine
95456GS	QUICK CONNECT, Male
96016GS	QUICK CONNECT, Female
195347GS	KIT, Tag, Warning with Clip
192014GS	FITTING, Hose, 1/2
192015GS	FITTING, Hose, 3/4
6048	KIT, O-Ring Maintenance

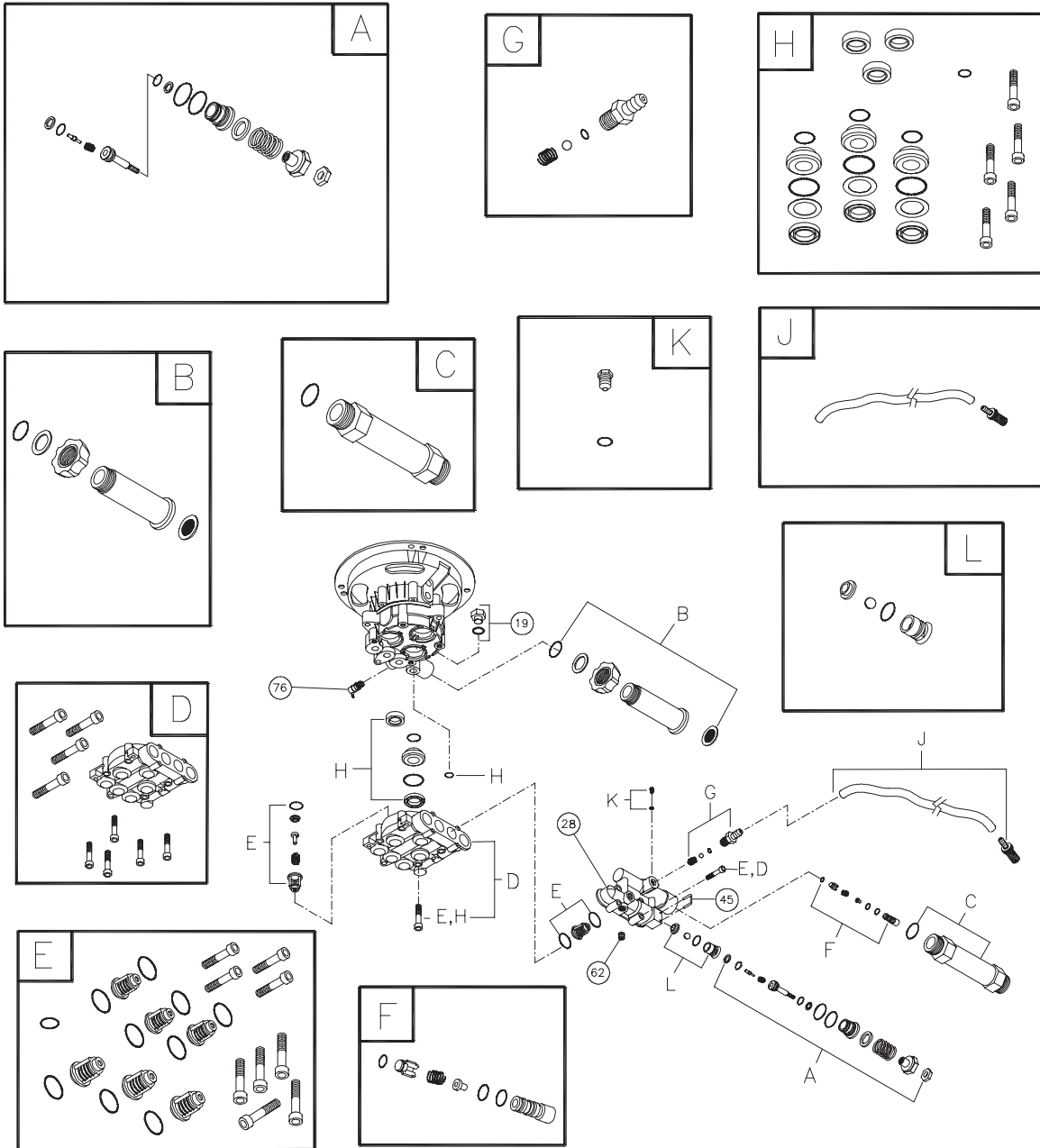
### Optional Accessories

6039	PUMP SAVER
------	------------

§ - Contact Engine Manufacturer

Copyright © 2007 Briggs & Stratton Power Products Group, LLC. All rights reserved. No part of this material may be reproduced or transmitted in any form by any means without the express written permission of Briggs & Stratton Power Products Group, LLC.

# Exploded View and Parts List — Pump



Item	Part #	Description
19	190571GS	CAP, Oil
28	190627GS	MANIFOLD
45	190578GS	PIN
62	190581GS	CAP, 1/8
76	194298GS	THERMO RELIEF
A	190594GS	KIT, UNLOADER STEM
B	190632GS	KIT, WATER INLET, ALUM
C	190634GS	KIT, OUTLET, ALUM
D	199708GS	KIT, HEAD ALUM
E	193806GS	KIT, CHECK VALVES
F	190592GS	KIT, INLET CHECK

Item	Part #	Description
G	190593GS	KIT, CHEMICAL INJECTION
H	193807GS	KIT, SEAL SET
J	189971GS	KIT, CHEMICAL HOSE
K	193971GS	KIT, PIPE FITTING
L	193972GS	KIT, UNLOADER SEAT

**Parts Not Illustrated**  
 B2384GS      FILTER, Inlet

**NOTE:** Item letters A - L are service kits and include all parts shown within the box.