



**SERIOUS DUTY
PRESSURE WASHERS**

Illustrated Parts List



Questions? Help is just a moment away!

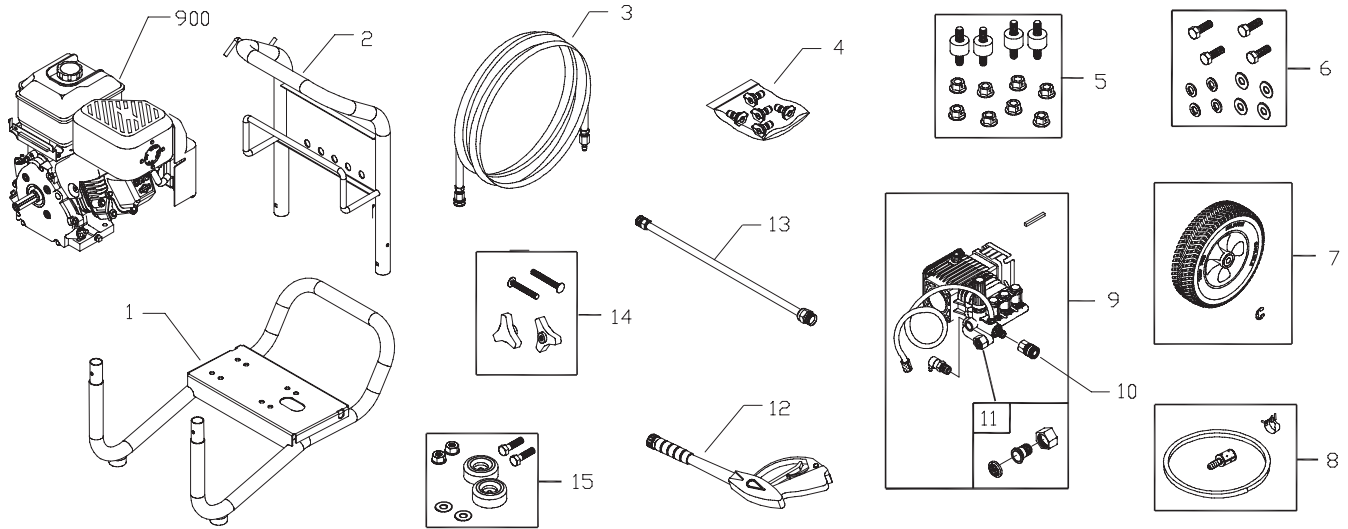
Call: **Pressure Washer Helpline**

1-800-743-4115 M-F 8-5 CT

**BRIGGS & STRATTON POWER PRODUCTS GROUP, LLC
JEFFERSON, WISCONSIN, U.S.A.**

Model No. 020324 (2800 PSI (193.0 BARS) Pressure Washer) Manual No. 203293A Revision D (08/05/2008)

Exploded View and Parts list — Main Unit



Item	Part #	Description
1	M204417GS	BASE, w/Mounts
2	M201453GS	HANDLE
3	203301GS	HOSE
4	205380GS	KIT, Spray Tips
	195983NGS	Nozzle, QC, Red
	195983PGS	Nozzle, QC, Yellow
	195983QGS	Nozzle, QC, Green
	195983RGS	Nozzle, QC, White
	195846ZZGS	Nozzle, QC, Black
5	192134GS	KIT, Engine Mounting Hardware
6	202771GS	KIT, Pump Mounting Hardware
7	202388GS	KIT, Wheel
	191265GS	E-Ring
8	192796GS	KIT, Chemical Hose/Filter
9	202772GS	ASSY, Pump
	194298GS	Thermal Relief
	23139DGS	Key
10	95458GS	FITTING, Quick Connect
11	199310GS	KIT, Garden Hose Inlet
12	199956GS	GUN

Item	Part #	Description
13	200595GS	EXTENSION, QC
14	203040GS	KIT, Handle Fastening
15	192310GS	KIT, Vibration Mount
900	§	ENGINE

Items Not Illustrated:

203293GS	MANUAL, Operator's
191267SGS	AXLE
30809GS	GROMMET
BB3061BGS	OIL BOTTLE
87815GS	GOGGLES
203290GS	DECAL, Unit
204058GS	DECAL, Air Cleaner
200658GS	DECAL, Recoil
194256GS	KIT, Tag Warning, w/Clip

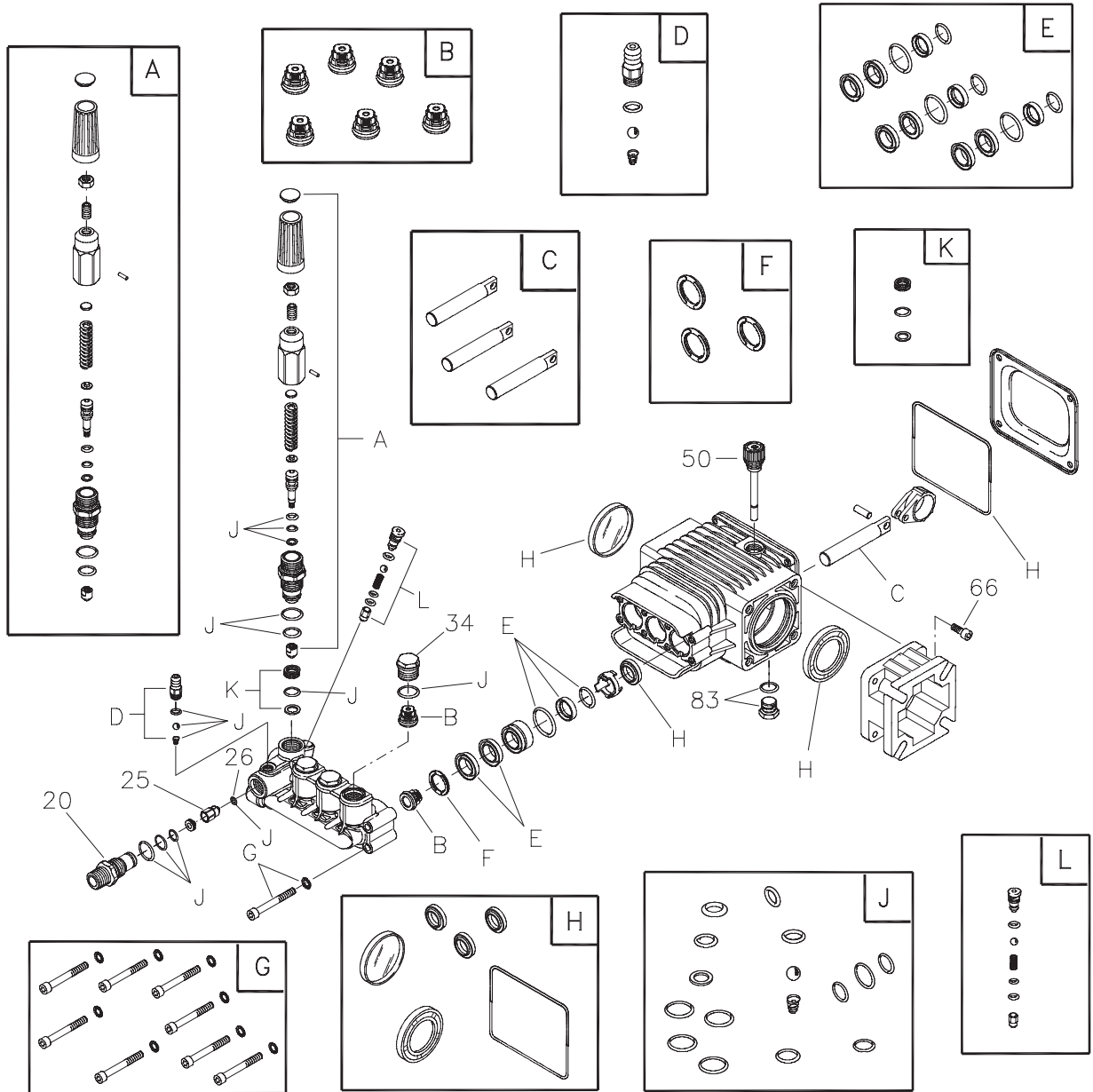
Optional Accessories

6048	KIT, O-Ring Maintenance
6039	PUMP SAVER

§ - Contact Engine Manufacturer

Copyright © 2008 Briggs & Stratton Power Products Group, LLC. All rights reserved. No part of this material may be reproduced or transmitted in any form by any means without the express written permission of Briggs & Stratton Power Products Group, LLC.

Exploded View and Parts List — Pump



Item	Part #	Description
20	198851GS	INJTR, Detergent, 3/8 NPT
25	204860GS	JET
26	204859GS	O-RING
34	198850GS	PLUG
50	198849GS	CAP, Oil Dipstick
66	198297GS	SCREW, M8 x 20
83	203034GS	KIT, Drain Plug
A	198736GS	KIT, Unloader
B	198843GS	KIT, Valves
C	198844GS	KIT, Piston
D	192914GS	KIT, Hose Tail
E	198845GS	KIT, Water Seals
F	198848GS	KIT, Support Ring
G	198852GS	KIT, Pump Head Hardware

Item	Part #	Description
H	198846GS	KIT, Oil Seals
J	198847GS	KIT, O-Rings
K	202902GS	KIT, Seat
L	202800GS	KIT, Ez Start

Parts Not Illustrated
B2384GS FILTER Inlet

Optional Accessories
6039 PUMP SAVER
6033 OIL BOTTLE, Pump

NOTE: Item letters A - L are service kits and include all parts shown within the box.