

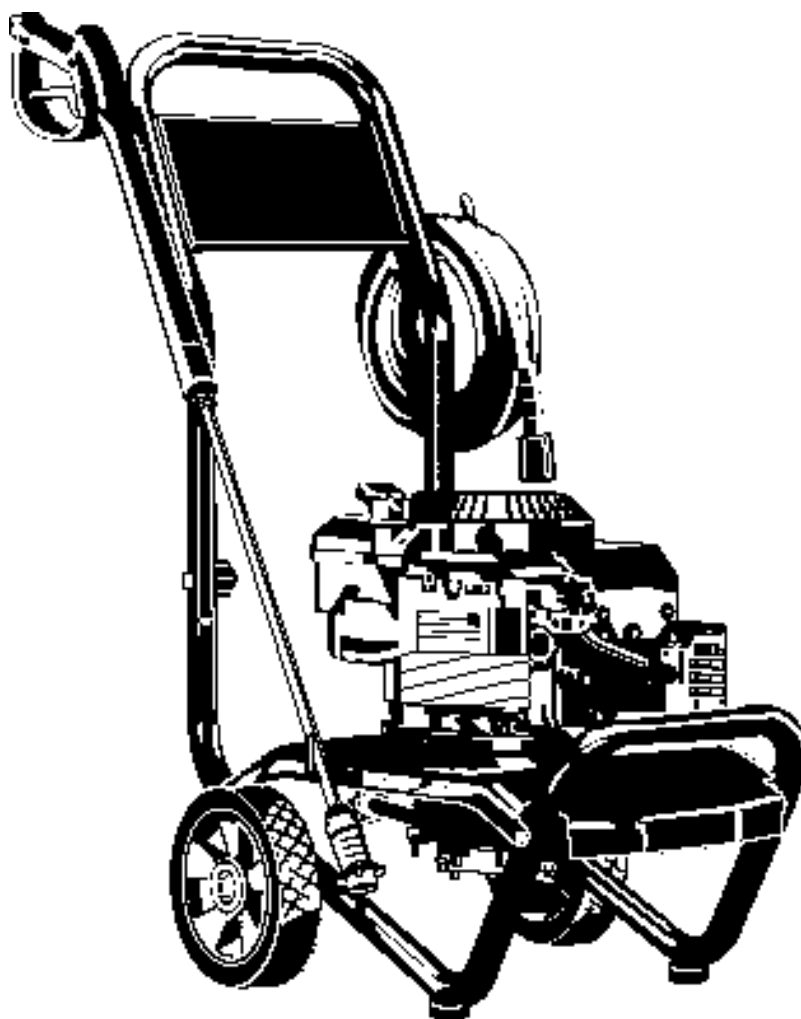


ELITE Series™

**Pressure Washer
Pulvérisateur à Pression**

Illustrated Parts List

**020219
(2450 PSI)**



Questions? Help is just a moment away!
Vous avez des questions? Vous n'avez pas besoin d'aller loin pour trouver de l'aide!

Call: **Pressure Washer Helpline**

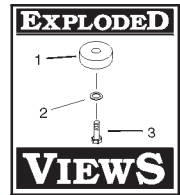
Appelez: **Ligne d'Assistance pour les Pulvérisateur**

1-800-743-4115 M-F 8-5 CT

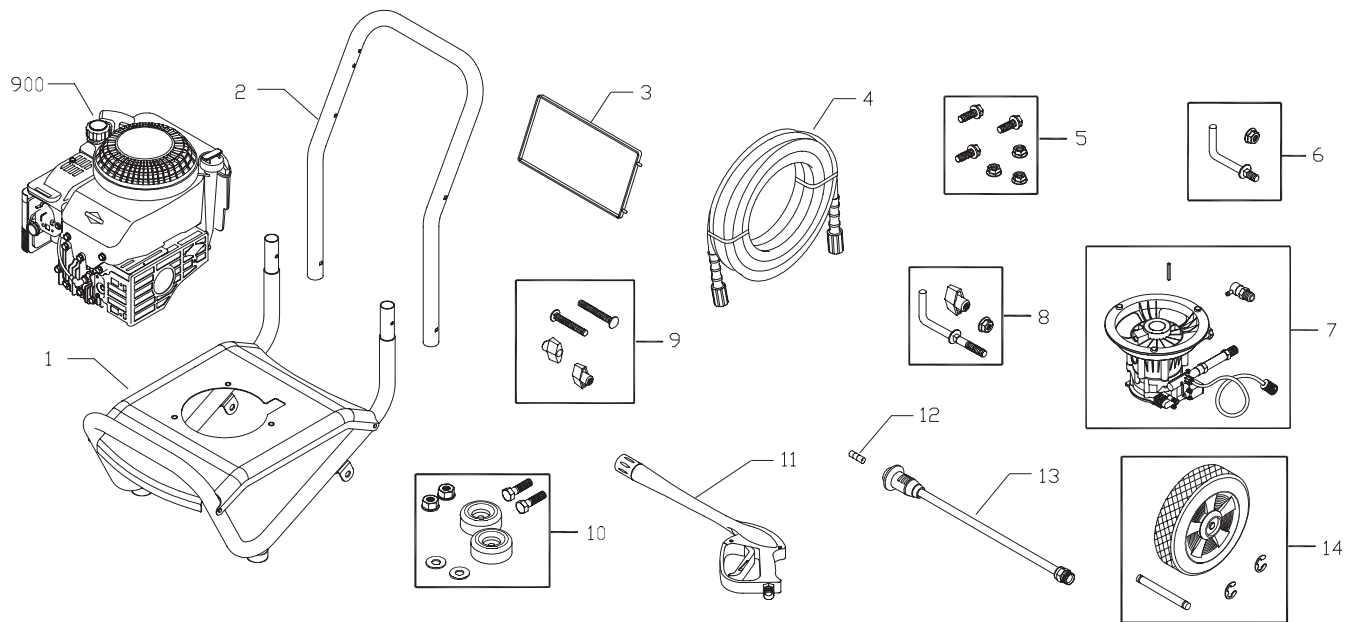
web: www.briggsandstratton.com

**BRIGGS & STRATTON POWER PRODUCTS GROUP, LLC
JEFFERSON, WISCONSIN, U.S.A.**

Manual No. 194890A Revision
A (05/09/2007)



EXPLODED VIEW AND PARTS LIST — MAIN UNIT



Item	Part #	Description
1	199504GS	BASE
2	B194718GS	HANDLE
3	194886GS	ASSY, Billboard with Decal
4	196006GS	HOSE, 25'
5	192529GS	KIT, Pump Mounting Hardware
6	192309GS	KIT, Hook, Base
7	199735GS	ASSY, Pump
	194298GS	Valve, Thermal Relief
	23139GS	Key
8	194264GS	KIT, Hook, Handle
9	B2203GS	KIT, Handle Connector
10	192310GS	KIT, Vibration Mount
11	B3263GS	GUN
12	21760GS	ORIFICE
13	188792HGS	ASSY, Wand

Item	Part #	Description
14	192311GS	KIT, Wheel
	192006GS	Axle
	192050GS	E-Ring
900	§	ENGINE

Items Not Illustrated

194890GS	MANUAL, Operator's
MS6847	MANUAL, Engine
282625	COVER, Control
194707GS	DECAL, Recoil
195015GS	KIT, Tag, Warning, Srv

§ - Contact Engine Manufacturer

Copyright © 2007 Briggs & Stratton Power Products Group, LLC. All rights reserved. No part of this material may be reproduced or transmitted in any form by any means without the express written permission of Briggs & Stratton Power Products Group, LLC.

