



Illustrated Parts List



This pressure washer is rated in accordance to the Pressure Washer Manufacture Association (PWMA) standard PW101 (Testing and Rating Performance of Pressure Washers).

Questions? Help is just a moment away!

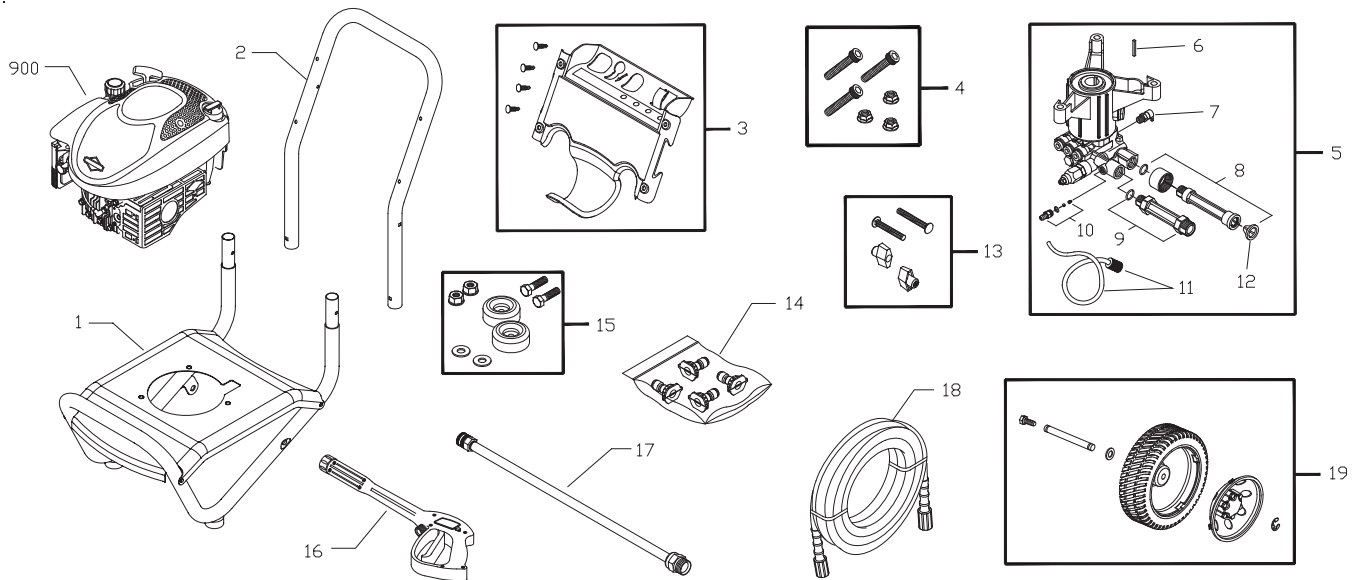
Call: **Pressure Washer Helpline**

1-800-743-4115 M-F 8-5 CT

BRIGGS & STRATTON POWER PRODUCTS GROUP, LLC
JEFFERSON, WISCONSIN, U.S.A.

Model No. 020388-0 (2550 PSI (175.8 BARS) Pressure Washer) IPL No. 209662 Revision - (02/26/2009)

Exploded View and Parts List — Main Unit



Item	Part #	Description
1	209570GS	BASE, w/Vibe Mounts
2	J199110GS	HANDLE
3	209569GS	ASSY, Billboard w/Decal & Clips
	195964GS	Clip
4	203526GS	KIT, Pump Mounting Hardware
5	202274GS	PUMP
6	23139GS	Key
7	208673GS	Valve, Thermal Relief
8	201496GS	Kit, Water Inlet
9	201497GS	Kit, Outlet
10	192914GS	Kit, Hose Tail
11	189971GS	Kit, Chemical Hose
12	B2384GS	Filter, Inlet
13	B2203GS	KIT, Handle Connector
14	204971GS	KIT, Nozzles
	198841GS	Nozzle, Plastic Soap
	195983AEGS	Nozzle, QC, Red
	195983RGS	Nozzle, QC, White
	195983XGS	Nozzle, QC, Yellow
15	192310GS	KIT, Vibration Mount
16	204627GS	GUN

Item	Part #	Description
17	200595GS	WAND, QC
18	196138GS	HOSE
20	209568GS	KIT, Wheel
	205413GS	Axle
	200520GS	Hubcap
	192050GS	E-Ring
900	§	ENGINE

Items Not Illustrated

209149GS	MANUAL, Operator's
794693	LABEL, Warning
794706	COVER, Static/Label Assy
BB3061BGS	OIL BOTTLE
194256GS	KIT, Tag Warning, Service

Optional Accessories

6048	KIT, O-Ring Maintenance
6039	PUMP SAVER

§ - Contact Engine Manufacturer

Copyright © 2009 Briggs & Stratton Power Products Group, LLC. All rights reserved. No part of this material may be reproduced or transmitted in any form without the express written permission of Briggs & Stratton Power Products Group, LLC.