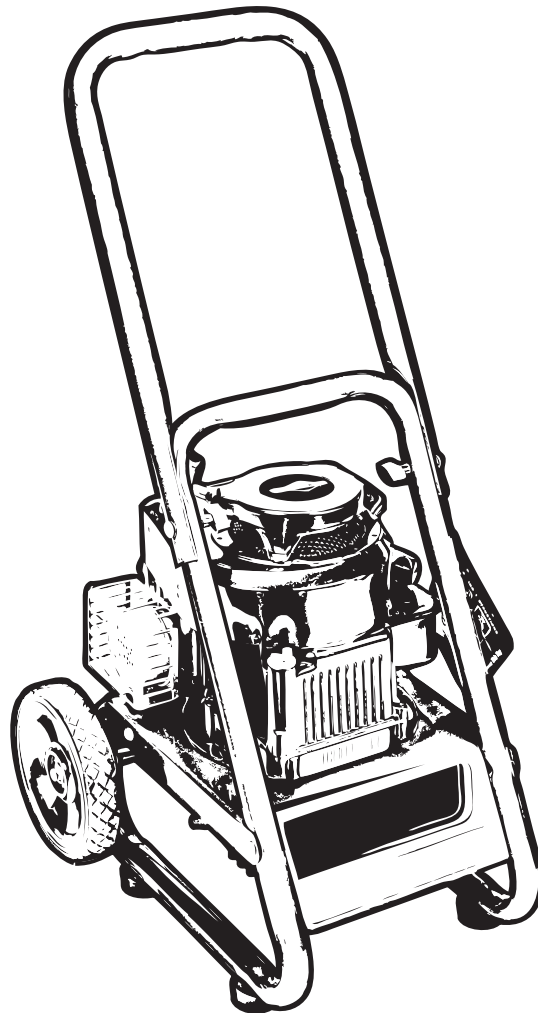




Illustrated Parts List

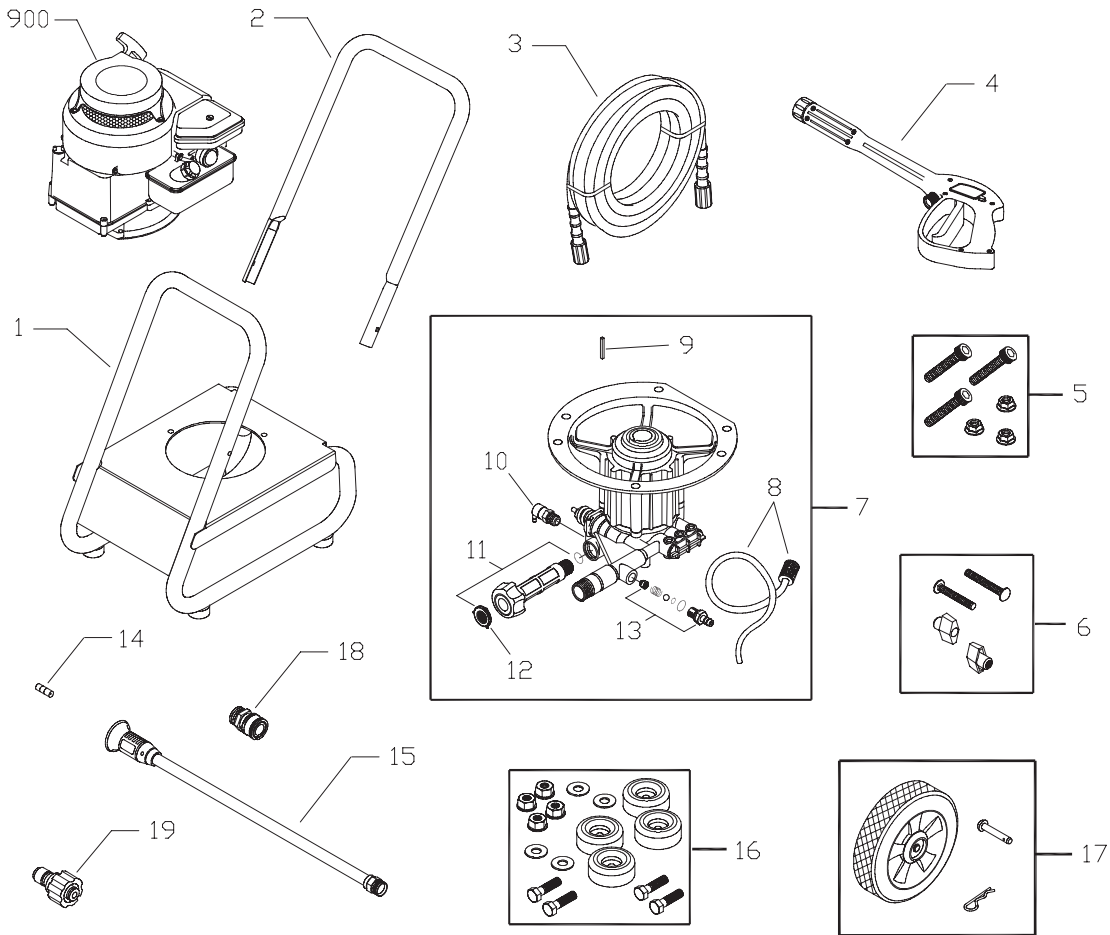


This pressure washer is rated in accordance to the Pressure Washer Manufacture Association (PWMA) standard PW101 (Testing and Rating Performance of Pressure Washers).

BRIGGS & STRATTON POWER PRODUCTS GROUP, LLC
JEFFERSON, WISCONSIN, U.S.A.

Model No. 020377 (2000 PSI (137.9 BARS) Pressure Washer) Manual No. 207489A Revision - (08/25/2008)

Exploded View and Parts List — Main Unit



Item	Part #	Description
1	204851GS	BASE, w/Mounts
2	J202565GS	HANDLE
3	202017GS	HOSE
4	204627GS	GUN
5	192525GS	KIT, Pump/Engine Mounting Hardware
6	B2203GS	KIT, Handle Connector
7	206383GS	ASSY, Pump
8	189971GS	Kit, Chemical Hose
9	23139GS	Key
10	194298GS	Valve, Thermal Relief
11	200278GS	Kit, Water Inlet
12	B2384GS	Filter, Inlet
13	200279GS	Kit, Chemical Injection
14	B1236DGS	ORFICE
15	205015DGS	WAND, Adjustable
16	201388GS	KIT, Wheel
	87005AGS	Pin, Quick Release
	203543GS	Pin, Round

Item	Part #	Description
17	198766GS	KIT, Vibration Mount
18	95518GS	QUICK CONNECT, Coupler
19	95519GS	QUICK CONNECT
900	§	ENGINE

Items Not Illustrated

207489GS	MANUAL, Operator's
6048	KIT, O-Ring Maintenance
87815GS	GOGGLES
194141GS	BAG, Accessory, String
207510GS	DECAL, Unit
200658GS	DECAL, Recoil
207509GS	DECAL, Engine Shroud
192014GS	FITTING, Hose, 1/2
192015GS	FITTING, Hose, 3/4
794693	LABEL, Warning
200171GS	KIT, Tag/Warning, Service

§ - Contact Engine Manufacturer

Copyright © 2008 Briggs & Stratton Power Products Group, LLC. All rights reserved. No part of this material may be reproduced or transmitted in any form by any means without the express written permission of Briggs & Stratton Power Products Group, LLC.