



**ETL**

**G 2500 PH (11944010)**

02 2005

59704750

[www.kaercher.com](http://www.kaercher.com)

**EN**



# CONTENT LIST

**1.0 Frame**

**2.0 Pump set**

**2.1 Cylinder head**

**2.2 Piston**

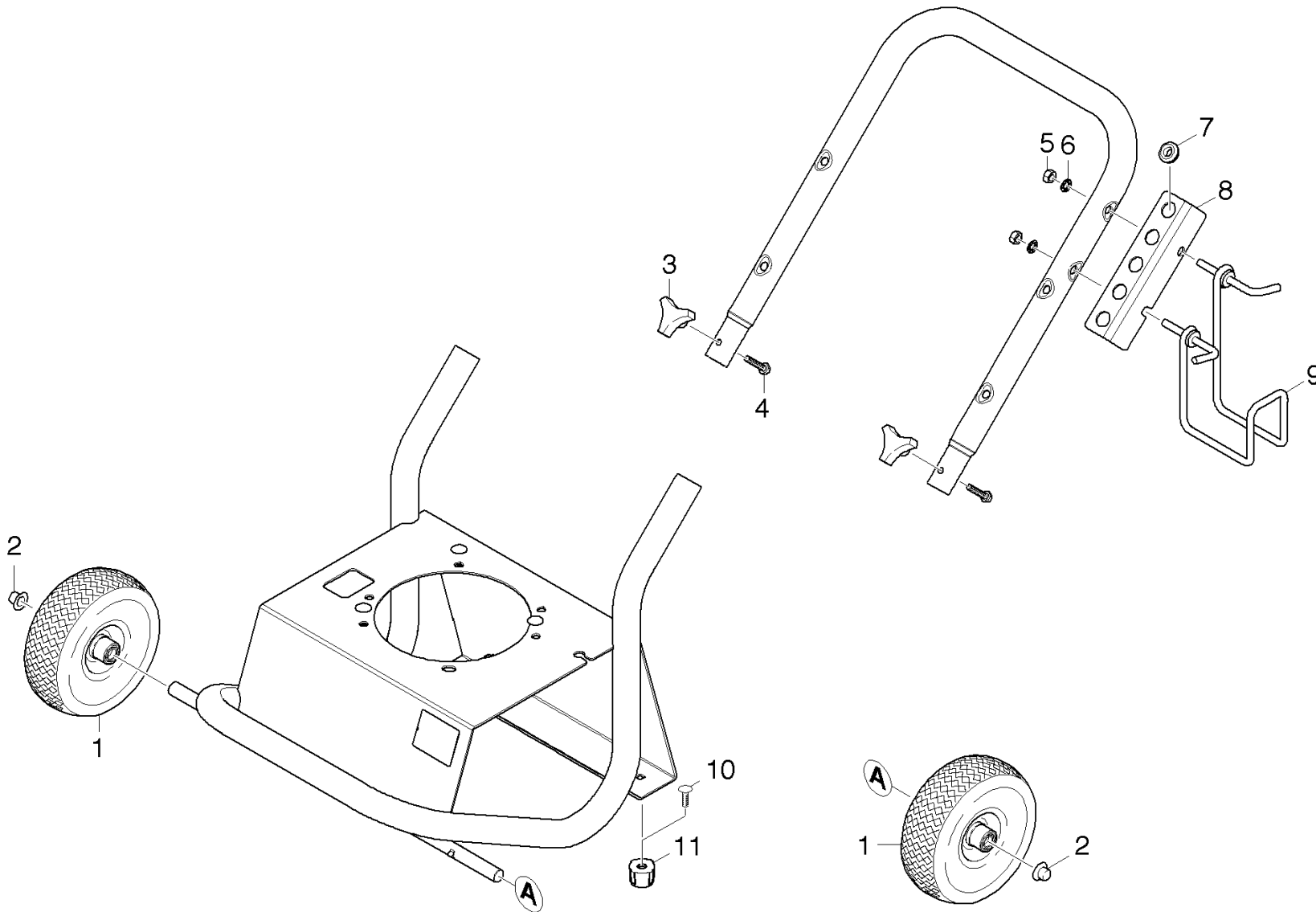
**3.0 Motor**

**3.1 Motor**

**3.2 Transmission**

**4.0 Accessories**

# 1.0 Frame



## 1.0 Frame

POS

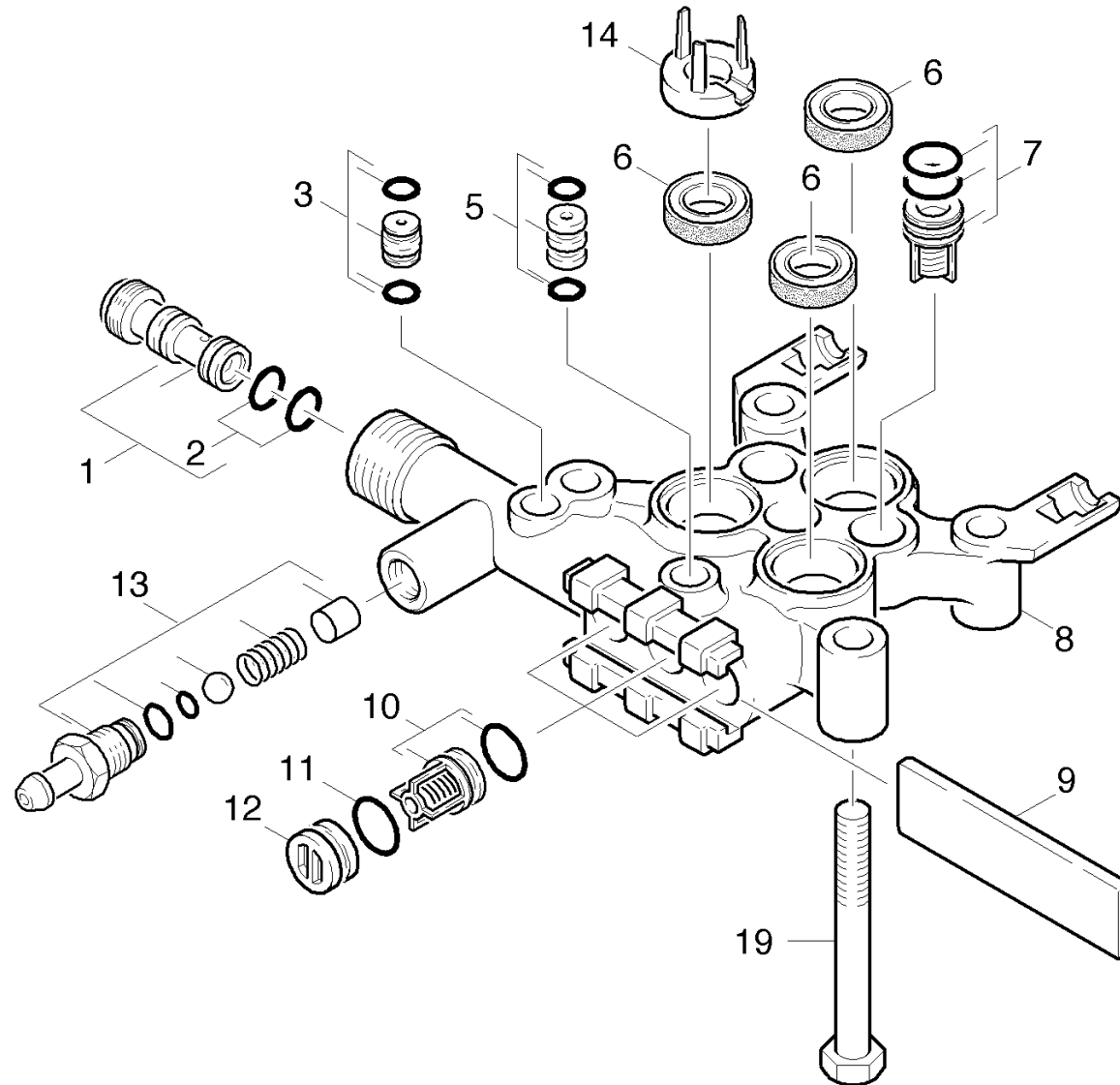
1	WHEEL 10" X 3.50" PNEU	91890070	2
2	CAP BLACK PLASTIC,5/8"FASTENER	91825060	2
3	KNOB 1/4"-20,3PT. STAR	91823530	2
4	1/4-20 x 1-1/2 GR 2 HEX BOLT ZINC	91963070	2
5	5/16"-18 FINISHED HEX NUT ZINC	53101050	2
6	5/16 INTERNAL L/W .332 ID X .620 OD ZINC	91980030	2
7	HANGER LT SIDE	91420150	1
10	5/16-18 X 1/2 CARRIAGE BOLT A307 BLK	91963080	2
11	RUBBER DAMPENER 5/16"-18FEMALE 2001	91834050	2

## 2.0 Pump set

2.1 Cylinder head  
2.2 Piston



## 2.1 Cylinder head



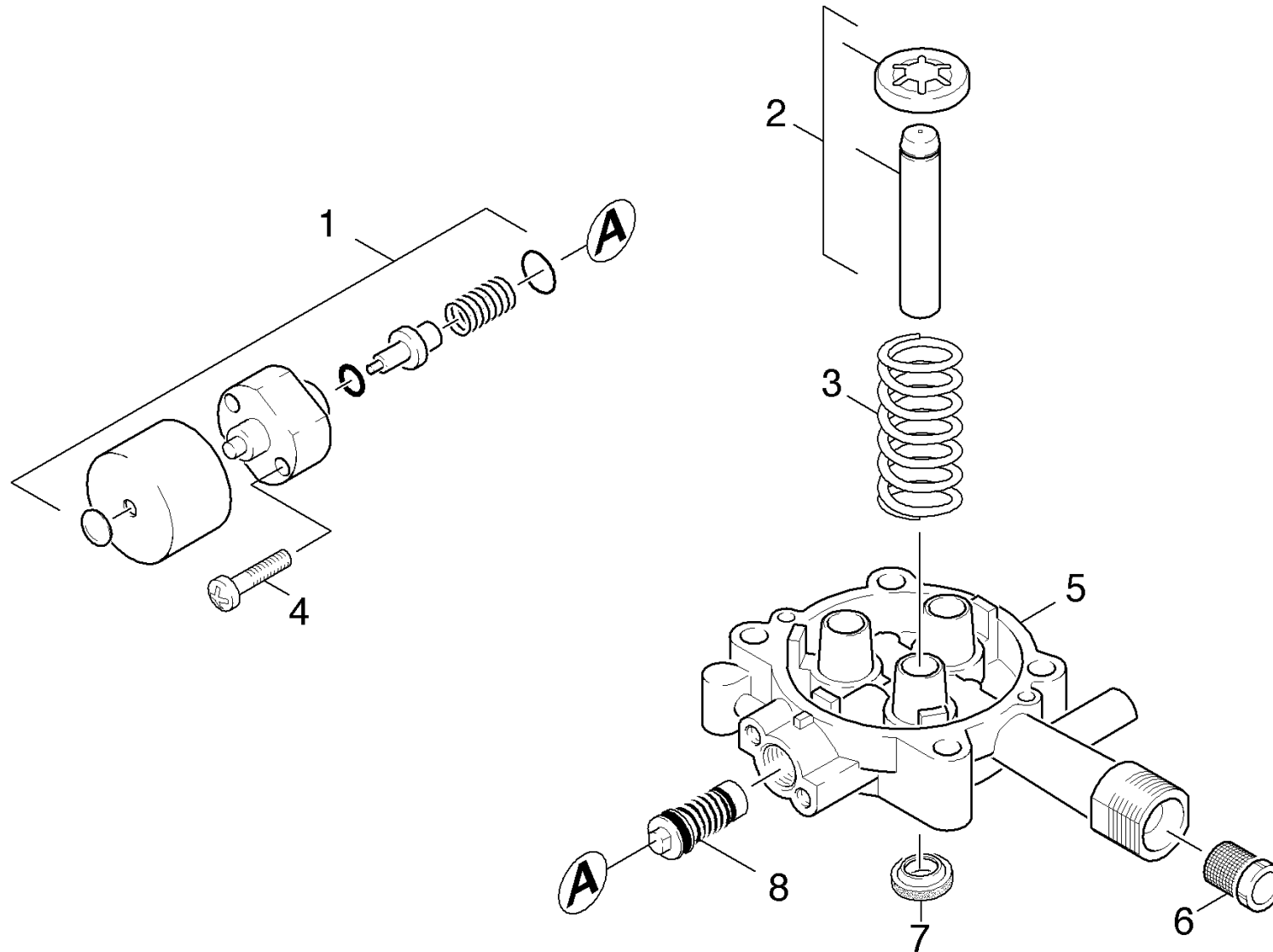
## 2.1 Cylinder head

POS

1	NOZZLE INSERT	47690400	2
2	O-RING 9,0 X 1,5	63623840	2
3	THROTTLE	40301090	1
5	JOINING PIECE	40301250	1
6	GROOVED RING 12X20X5.3/2.8	63653940	3
7	VALVE	45803300	3
8	CYLINDER HEAD	55502940	1
9	PLATE	50030620	1
10	VALVE	45803310	3
11	GASKET 11 X 2	63632730	3
12	DRAIN PLUG	41320070	3
13	SPARE PARTS KIT	28838620	1
14	WASHER	51159030	3
19	M8-1.25 X 75MM CLS 8.8 DIN 931	73040750	4



## 2.2 Piston



## 2.2 Piston

POS

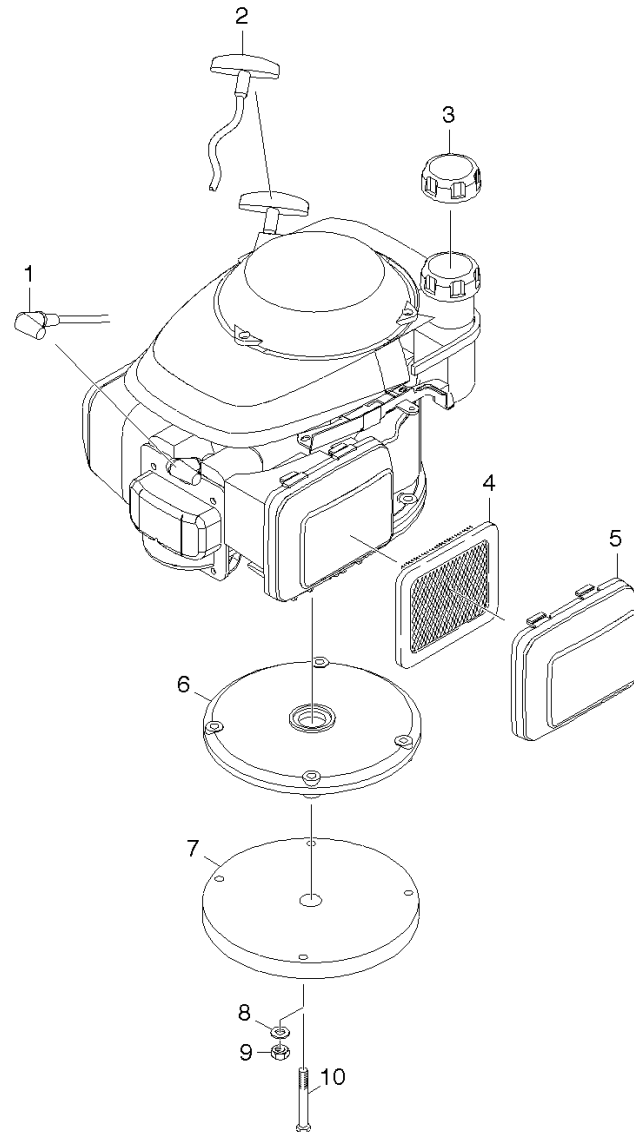
1	VALVE 60 GRD	45803600	1
2	PISTON KPL.	45532150	3
3	PRESSURE SPRING	53323910	3
4	M6 X 30MM TORX DRIVE PAN HD THREAD	73030660	2
5	PISTON GUIDANCE	50608380	1
6	FILTER	64142520	1
7	NUTRING 12X20X4/6	63653930	3
8	SPILL VALVE	45910400	1

## 3.0 Motor

3.1 Motor  
3.2 Transmission



### 3.1 Motor

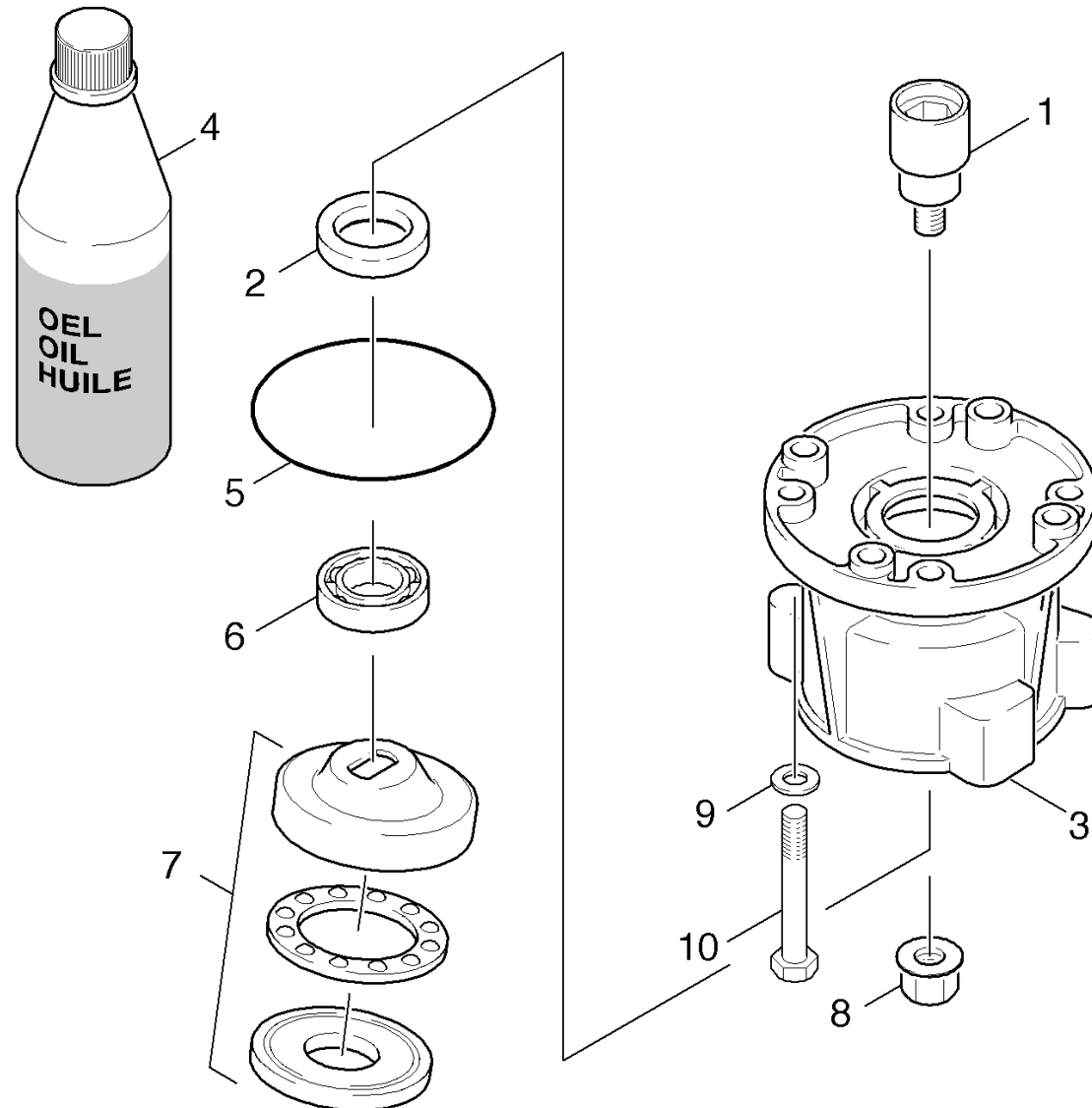


### 3.1 Motor

POS

2	HANDLE	64915030	1
3	GC 160 GAS CAP	91945480	1
4	AIR FILTER ELEMENT	64917260	1
5	COVER	91945430	1

## 3.2 Transmission

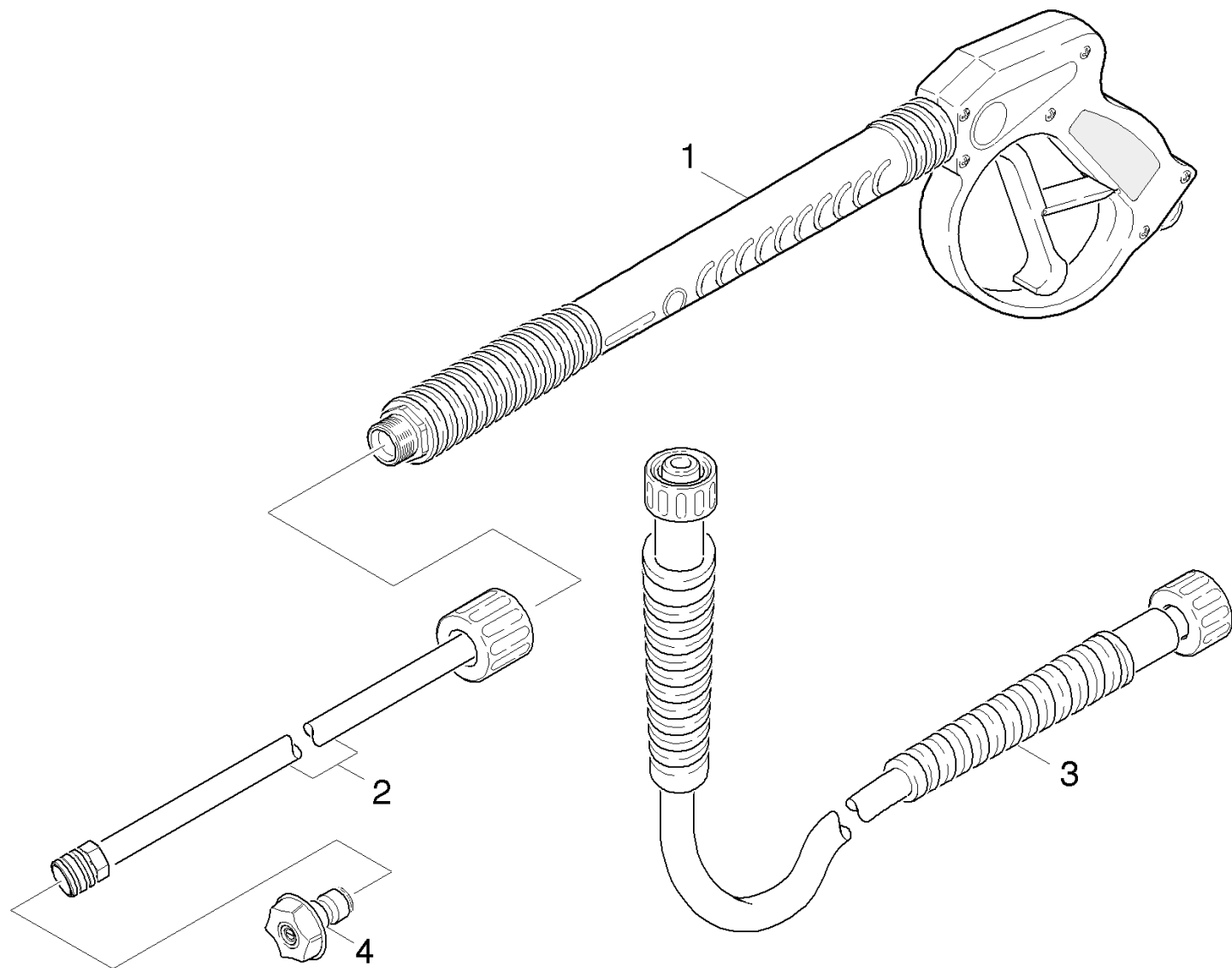


## 3.2 Transmission

POS

1	PUMP SHAFT (VERT.)	91540310	1
2	SEAL RING	73670180	1
3	HOUSING-VERTICAL	91350010	1
4	OIL 1 LITRE	62880500	1
5	O RING 80 X 3	63624710	1
6	BALL BEARING 6304 SKF	74010380	1
7	SWASH PLATE	64012890	1
8	M6 X 19 TORX DRIVE W/WASHER SEMS CLASS	63040480	1
9	5/16" SPLIT LOCK WASHER ZINC	51156560	4
10	5/16-24UNF X 1.75 SOCKET HEAD CAP SCREW	91960330	4

## 4.0 Accessories





## 4.0 Accessories

POS

1	TRIGGER GUN, AL BIT	91120140	1
2	SPRAY LANCE	91125100	1
3	HP HOSE DN6/35'/2500/KA/BLK/PLSTC	91623160	1
4	MC Q/C NOZZLE KIT (0325)	91040270	1