



# BRUTE™

by



## *Illustrated Parts List*



This pressure washer is rated in accordance to the Pressure Washer Manufacture Association (PWMA) standard PW101 (Testing and Rating Performance of Pressure Washers).

Questions? Help is just a moment away!

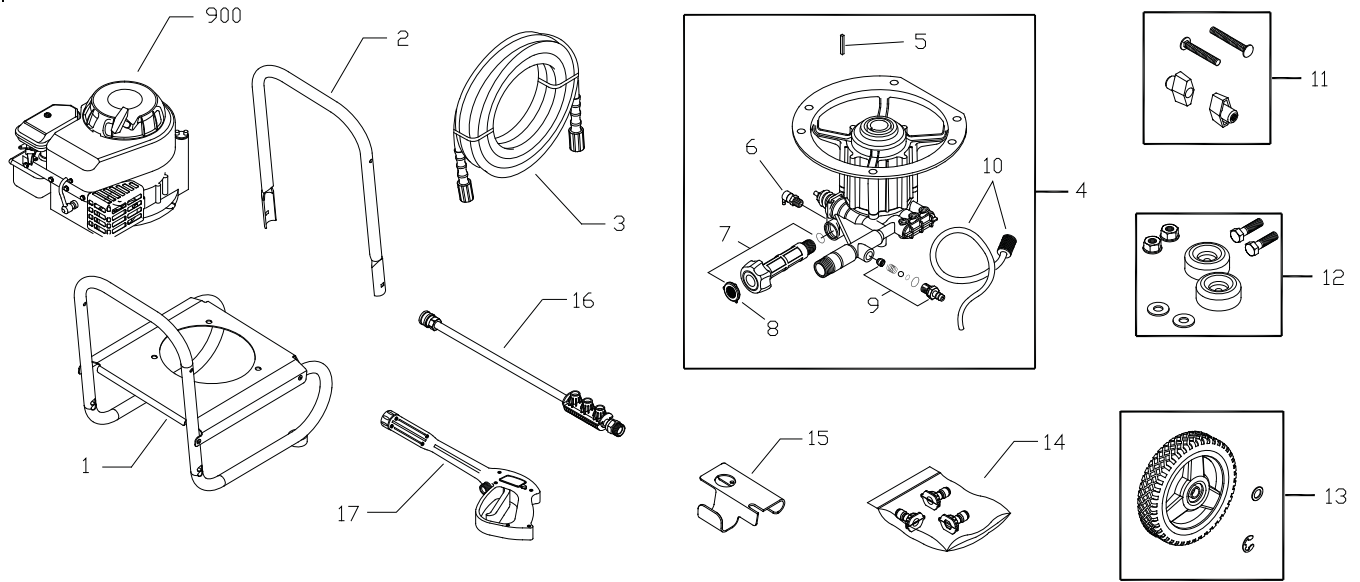
Call: **Pressure Washer Helpline**

**1-800-743-4115** M-F 8-5 CT

**BRIGGS & STRATTON POWER PRODUCTS GROUP, LLC**  
**JEFFERSON, WISCONSIN, U.S.A.**

Model No. 020384-0 (2500 PSI (172.4 BARS) Pressure Washer) IPL No. 208782 Revision A (05/05/2009)

# Exploded View and Parts List



Item	Part #	Description
1	204701GS	BASE
2	B206781GS	HANDLE
3	196006GS	HOSE
4	206383GS	PUMP
5	23139GS	KEY
6	208673GS	VALVE-THERMAL RELIEF
7	200278GS	KIT-WATER INLET
8	B2384GS	FILTER-GARDEN HOSE
9	200279GS	KIT-CHEMICAL INJ
10	189971GS	KIT-CHEMICAL HOSE
11	B2203GS	KIT-HANDLE HARDWARE
12	198766GS	KIT-VIBRATION MOUNT
13	208619GS	KIT-WHEEL
	192050GS	E-RING
14	207977GS	KIT-QC NOZZELS
	198841GS	NOZZLE-QC BLACK
	195983AEGS	NOZZLE-QC RED
	195983AGGS	NOZZLE-QC GREEN
15	206813GS	HOLDER-ACC
16	207790GS	EXTENSION-QC
17	204627GS	GUN
900	§	ENGINE

## Items Not Illustrated:

208470GS	MANUAL-OPERATOR'S
BB3061BGS	OIL BOTTLE
B1797GS	CLIP
208410GS	AXLE
794693	LABEL-WARNING
208467GS	DECAL-UNIT
200658GS	DECAL-RECOIL
207289GS	DECAL-BASE
194256GS	TAG-WARNING

## Optional Accessories

6039	PUMP SAVER
6048	KIT, O-Ring Maintenance

§ - Contact Engine Manufacturer

Copyright © 2009 Briggs & Stratton Power Products Group, LLC. All rights reserved. No part of this material may be reproduced or transmitted in any form without the express written permission of Briggs & Stratton Power Products Group, LLC.