



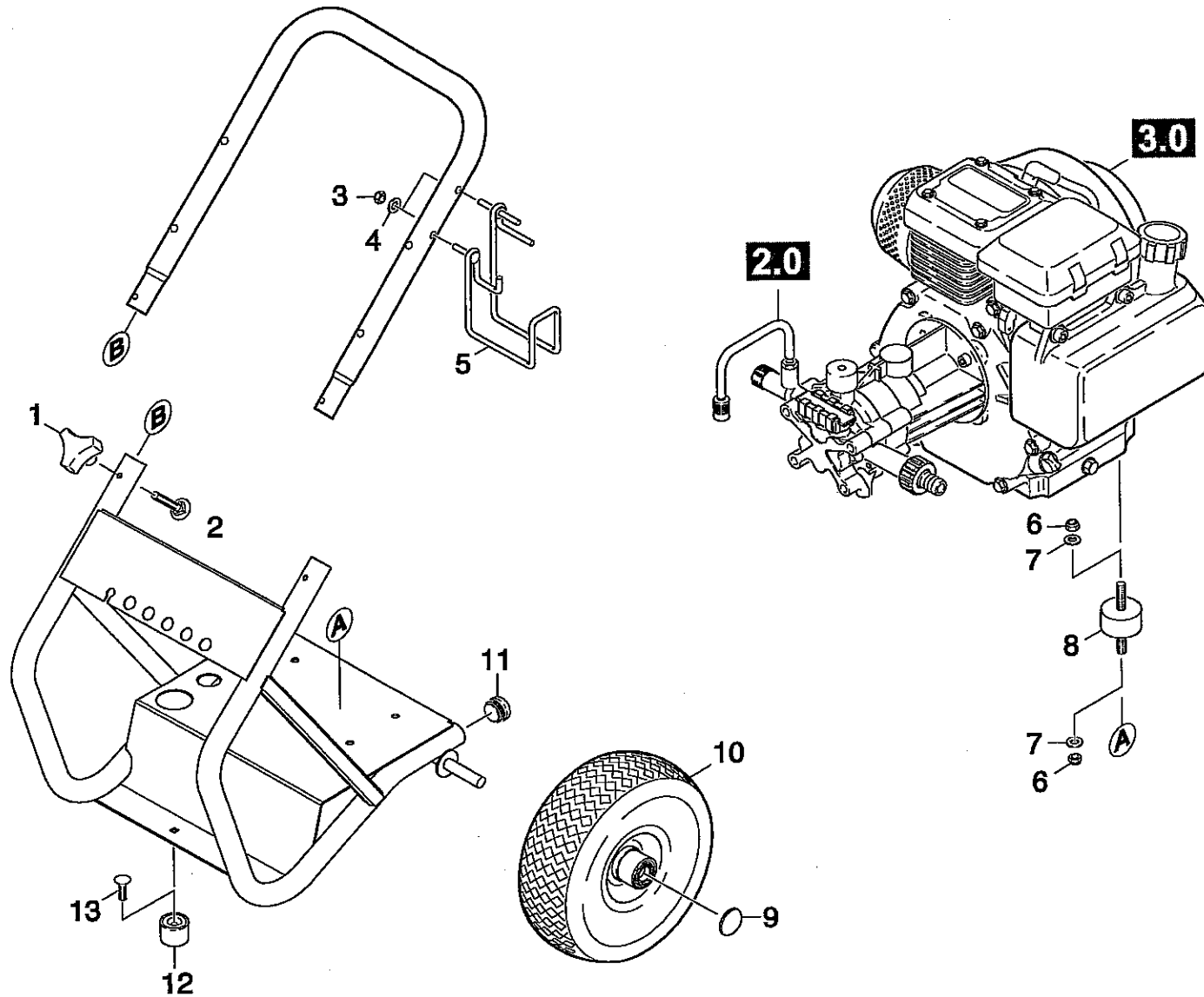
Ersatzteilliste
Spare Parts List
Liste des pieces de rechange

1.194-508.0 G 2650 HH

HOUSING



HOUSING



HOUSING

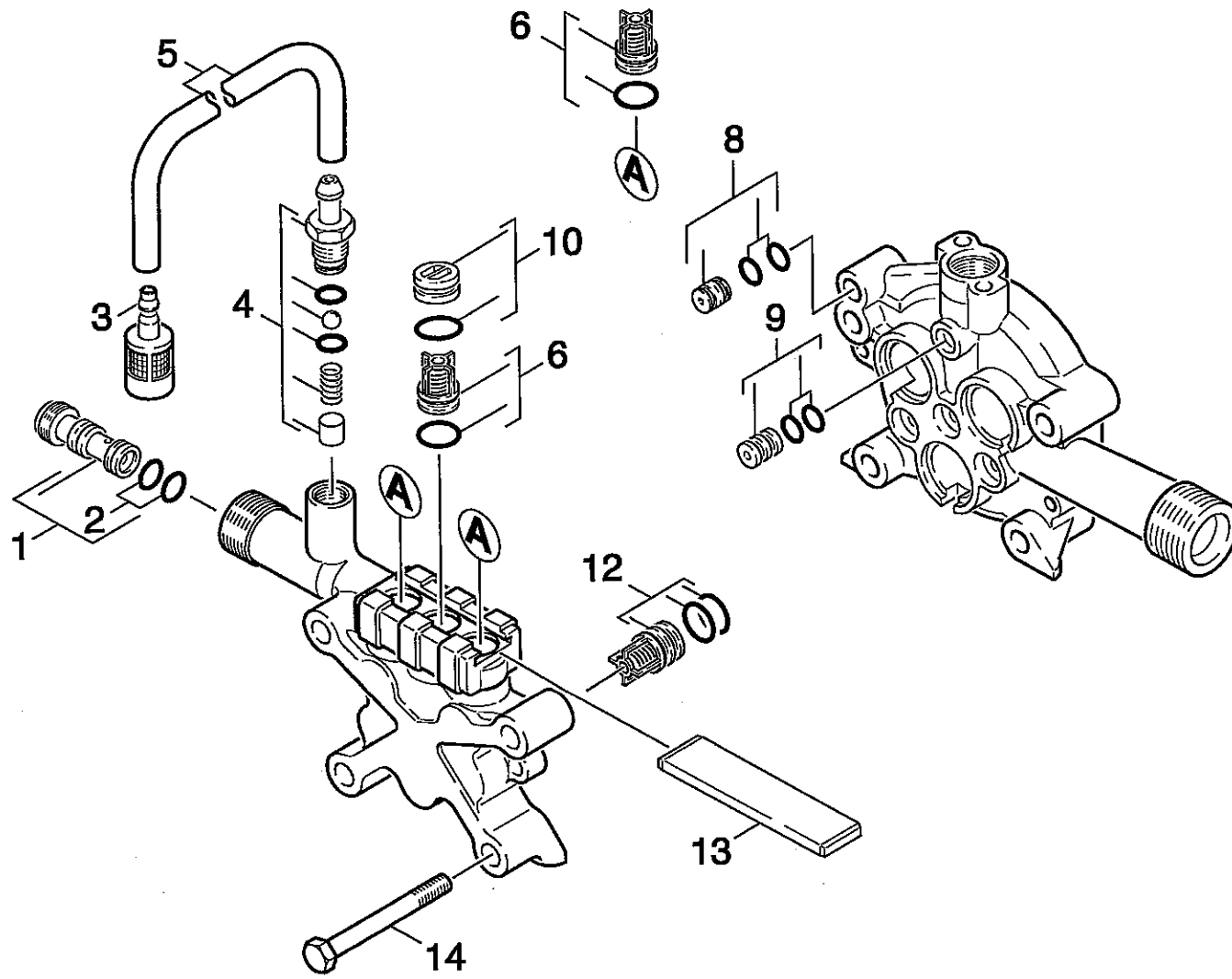
POS ITM. POS.	BENENNUNG DESCRIPTION DESIGNATION	TEILE-NR PART-NO NO. PIECE	STCK QTY. NBR	AB WERK-NR FROM SERIAL-NO TO SERIAL-NO	BIS WERK-NR
---------------------	---	----------------------------------	---------------------	---	-------------

0001	KNOB	9.182-353.0	2,000		
0002	SAUCER-HEAD SCREW	9.196-304.0	2,000		
0003	NUT	5.310-105.0	2,000		
0004	WASHER	9.198-003.0	2,000		
0005	HANGER WELD ASSY	9.142-010.0	1,000		
0006	NUT	9.197-002.0	8,000		
0007	WASHER	7.312-004.0	8,000		
0008	SPACER	9.183-403.0	4,000		
0009	CAP	9.182-004.0	2,000		
0010	WHEEL	9.189-007.0	2,000		
0011	PLUG	9.183-001.0	2,000		
0012	RUBBER DAMPENER	9.183-409.0	1,000		
0013	BOLT	9.196-308.0	2,000		

PUMP-SET



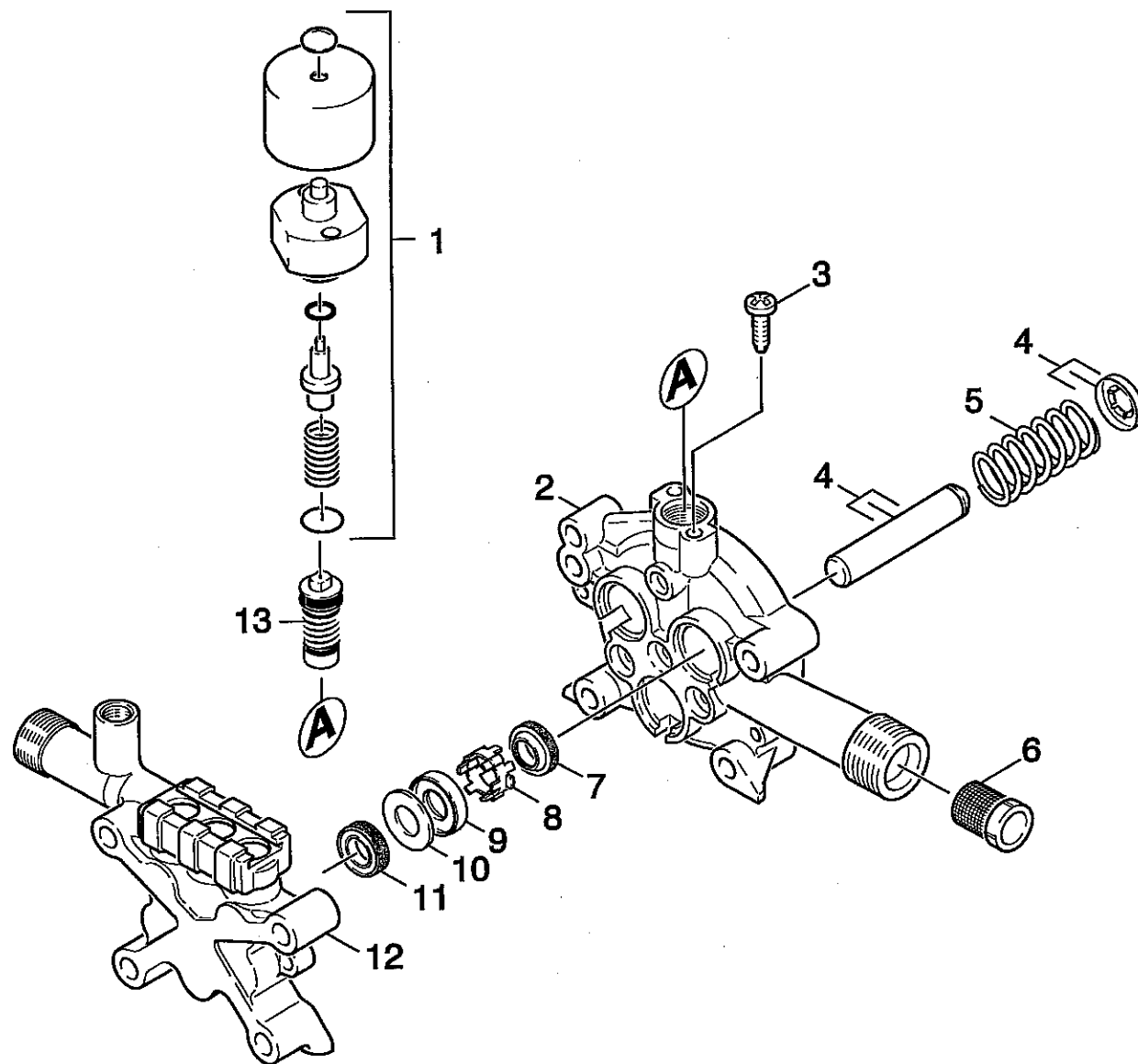
HOUSING



HOUSING

POS ITM. POS.	BENENNUNG DESCRIPTION DESIGNATION	TEILE-NR PART-NO NO. PIECE	STCK QTY. NBR	AB WERK-NR FROM SERIAL-NO TO SERIAL-NO	BIS WERK-NR
0001	NOZZLE INSERT	4.769-032.0	1,000		
0002	GASKET	6.362-384.0	2,000		
0003	CHEMICAL VALVE	4.862-032.0	1,000		
0004	SPARE PARTS KIT	2.883-862.0	1,000		
0005	HOSE (TO ORDER AS CUT GOODS)	6.388-216.0	1,000		
0006	VALVE	4.580-331.0	3,000		
0008	THROTTLE	4.030-109.0	1,000		
0009	JOINING PIECE	4.030-125.0	1,000		
0010	DRAIN PLUG	4.132-007.0	3,000		
0012	VALVE	4.580-330.0	3,000		
0013	PLATE	5.003-062.0	1,000		
0014	SCREW	7.304-097.0	4,000		

THRUST GUIDANCE



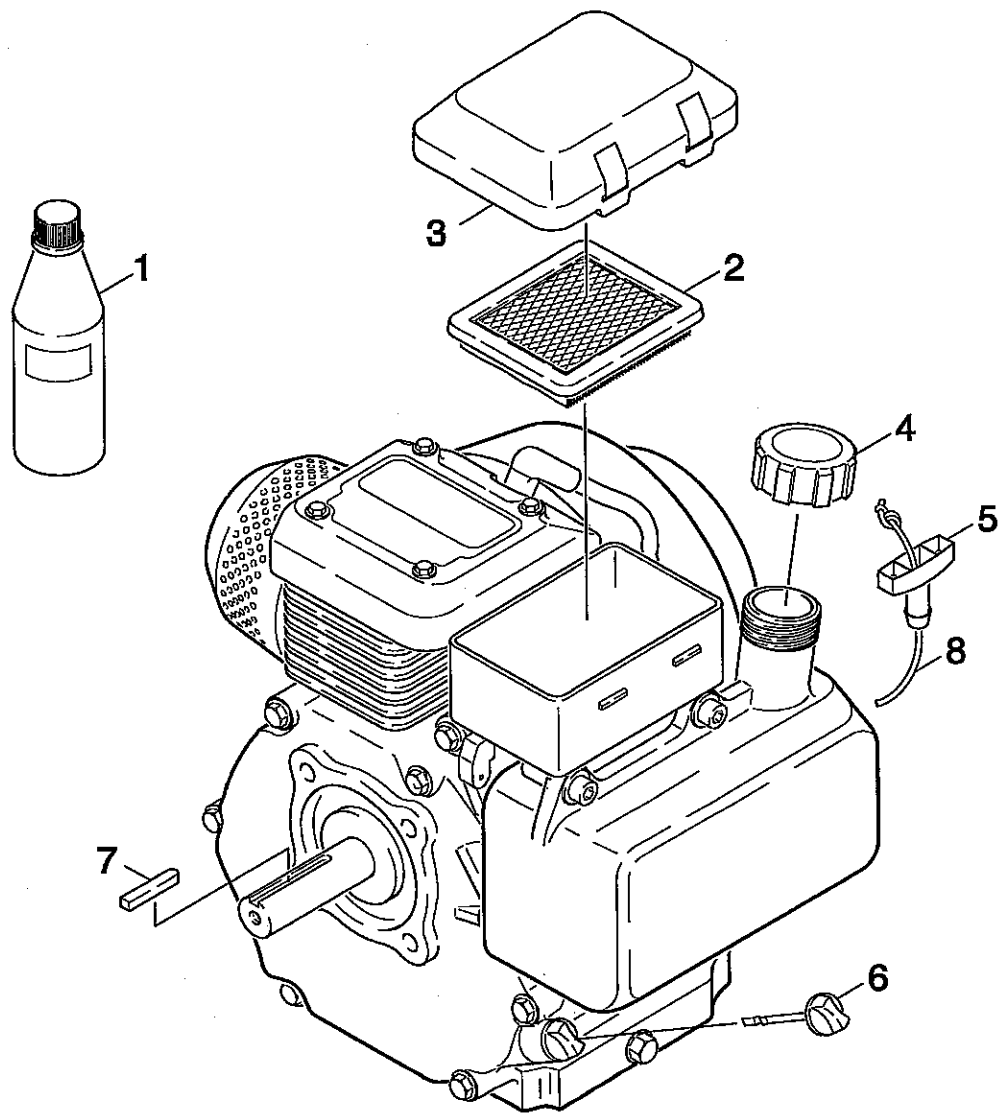
THRUST GUIDANCE

POS ITM. POS.	BENENNUNG DESCRIPTION DESIGNATION	TEILE-NR PART-NO NO. PIECE	STCK QTY. NBR	AB WERK-NR FROM SERIAL-NO TO SERIAL-NO	BIS WERK-NR
0001	VALVE KIT	4.580-359.0	1,000		
0002	PISTON GUIDANCE	5.060-680.0	1,000		
0003	SCREW M 6X 30	7.303-066.0	2,000		
0004	PISTON	4.553-173.0	3,000		
0005	PRESSURE SPRING	5.332-391.0	3,000		
0006	FILTER	6.414-252.0	1,000		
0007	NUTRING 12X20X4/6	6.365-393.0	3,000		
0008	SLEEVE	5.110-707.0	3,000		
0009	WASHER	5.115-720.0	3,000		
0010	WASHER	5.115-721.0	3,000		
0011	GROOVED RING 12X20X5.3/2.8	6.365-394.0	3,000		
0012	CYLINDER HEAD	5.550-249.0	1,000		
0013	SPILL VALVE	4.591-040.0	1,000		

MOTOR



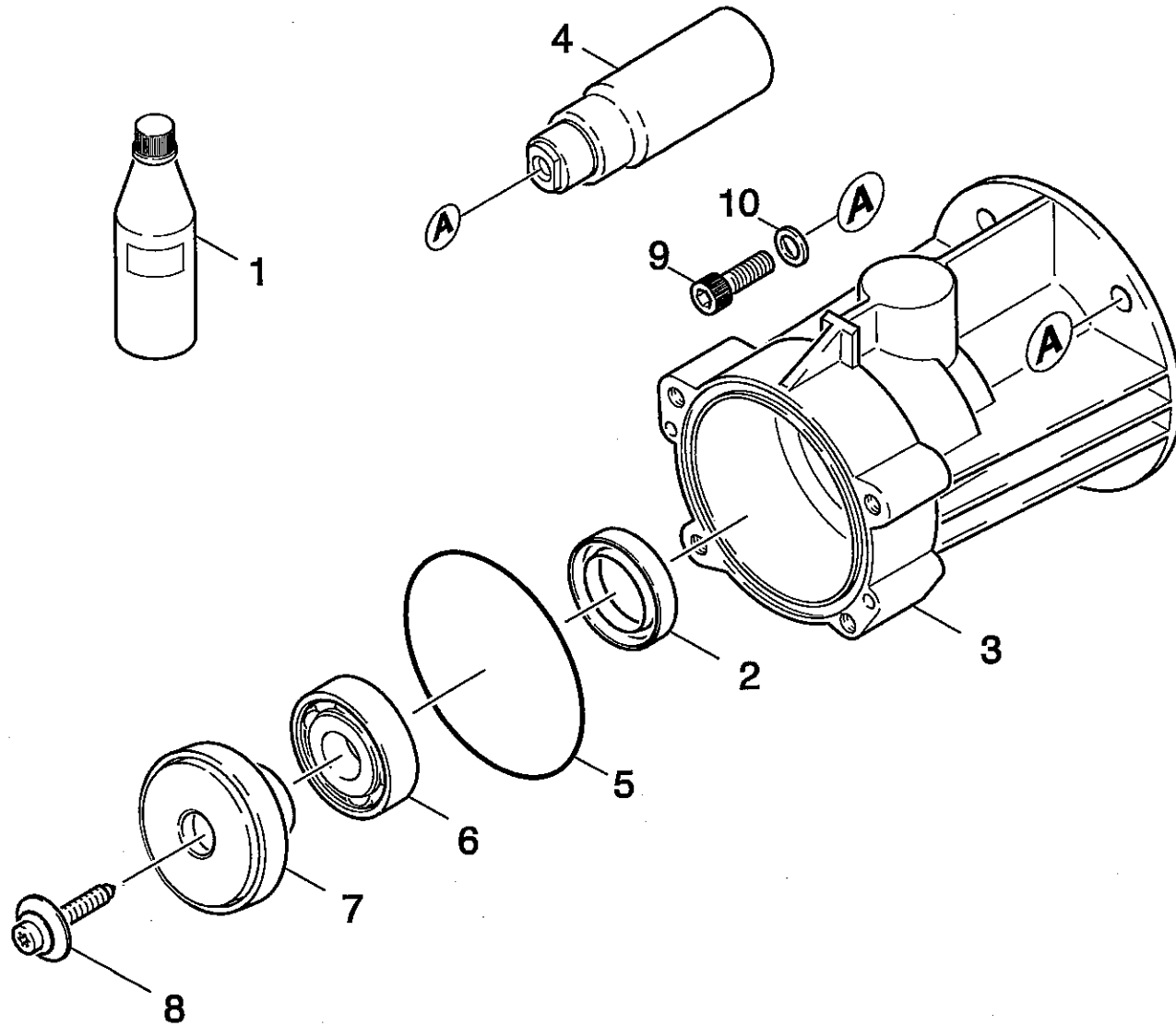
MOTOR



MOTOR

POS ITM. POS.	BENENNUNG DESCRIPTION DESIGNATION	TEILE-NR PART-NO NO. PIECE	STCK QTY. NBR	AB WERK-NR FROM SERIAL-NO TO SERIAL-NO	BIS WERK-NR
0001	OIL 1 LITRE	6.288-050.0	1,000		
0002	AIR FILTER ELEMENT	6.491-726.0	1,000		
0003	COVER	9.194-543.0	1,000		
0004	CAP OF TANK	9.194-548.0	1,000		
0005	HANDLE	6.491-503.0	1,000		
0006	OIL DIP ROD	9.194-531.0	1,000		
0007	SPRING	9.194-546.0	1,000		
0008	STARTER ROPE	6.491-546.0	1,000		

ACTUATION



ACTUATION

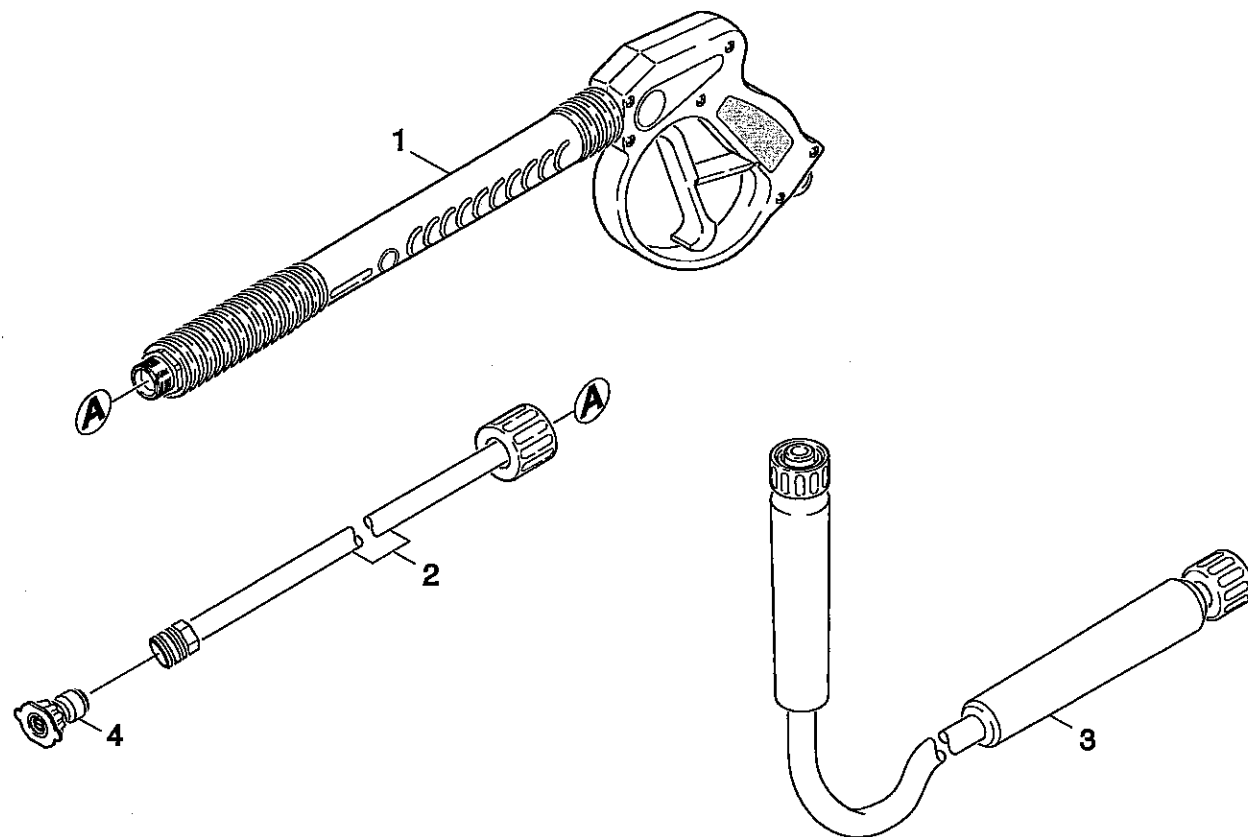
POS ITM. POS.	BENENNUNG DESCRIPTION DESIGNATION	TEILE-NR PART-NO NO. PIECE	STCK QTY. NBR	AB WERK-NR FROM SERIAL-NO TO SERIAL-NO	BIS WERK-NR
---------------------	---	----------------------------------	---------------------	---	-------------

0001	OIL 1 LITRE	6.288-050.0	1,000		
0002	SEAL RING	7.367-018.0	1,000		
0003	PUMP HOUSING	5.093-106.0	1,000		
0004	COUPLING ELEMENT	5.471-088.0	1,000		
0005	GASKET	6.362-471.0	1,000		
0006	BALL BEARING	6.401-332.0	1,000		
0007	SWASH PLATE	6.401-289.0	1,000		
0008	CYLINDER HEAD SCREW	6.304-048.0	1,000		
0009	CHEESE HEAD SCREW	6.965-007.0	4,000		
0010	WASHER	5.115-656.0	4,000		

ACCESSORIES



TRIGGER GUN



TRIGGER GUN

POS ITM. POS.	BENENNUNG DESCRIPTION DESIGNATION	TEILE-NR PART-NO NO. PIECE	STCK QTY. NBR	AB WERK-NR FROM SERIAL-NO TO SERIAL-NO	BIS WERK-NR
---------------------	---	----------------------------------	---------------------	---	-------------

0001	TRIGGER GUN	9.112-014.0	1,000		
0002	JET PIPE	9.112-515.0	1,000		
0003	HP HOSE	6.390-106.0	1,000		
0004	QUICK CONNECT NOZZLE KIT (0325)	9.104-016.0	1,000		