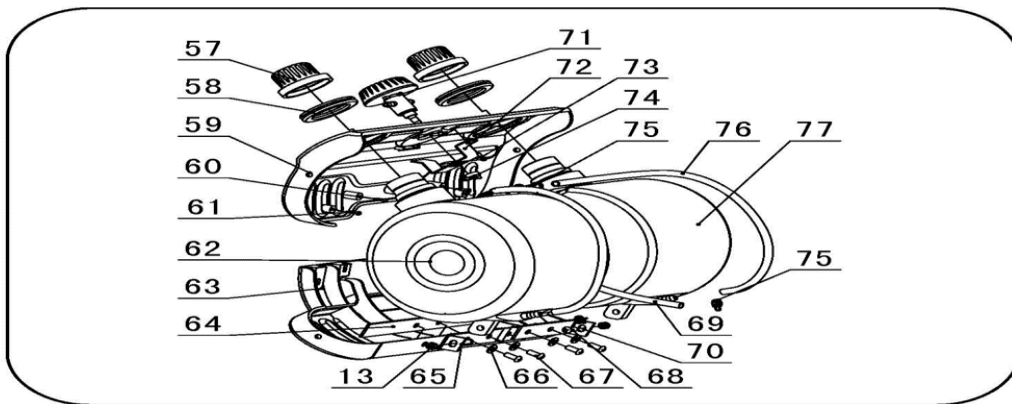
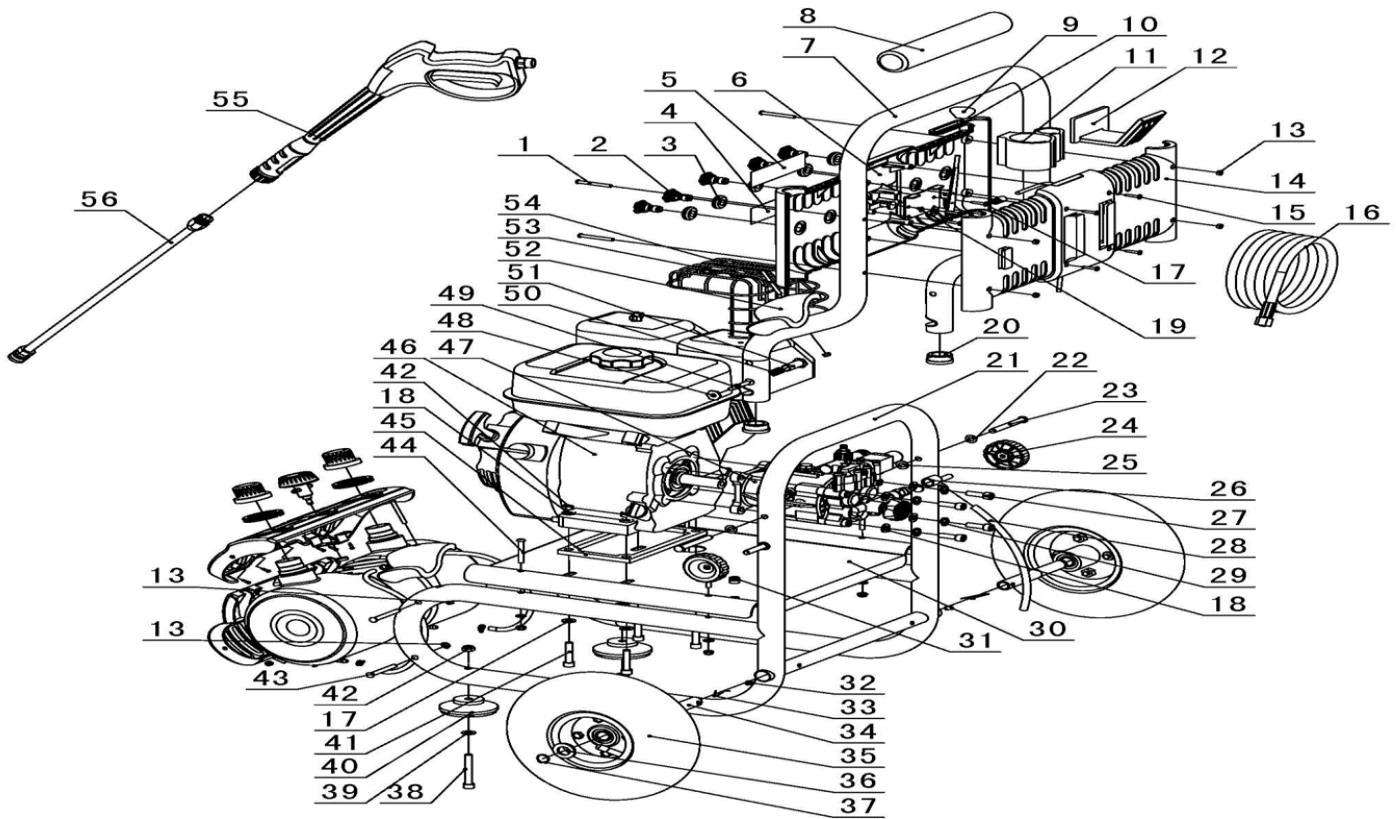


# GPW3200 Parts List



Ref.No.	Part's Number	Factory Part's Number	Part Description	Quantity	Cost	Comments
1	GPW3200-1	GB/T 818-2000	Cross Pan Head Screw M5x45	8		
2.1	GPW3200-2.1	YG3.002.006-0	0° Nozzle (red)	1		
2.2	GPW3200-2.2	YG3.002.006-15	15° Nozzle (yellow)	1		
2.3	GPW3200-2.3	YG3.002.006-25	25° Nozzle (green)	1		
2.4	GPW3200-2.4	YG3.002.006-40	40° Nozzle (white)	1		
2.5	GPW3200-2.5	YG3.002.006-B	Detergent Nozzle (black)	1		
3	GPW3200-3	YG3.001.004	Nozzle Grommet	5		
4	GPW3200-4	YG3.003.227	Lower Alu plate	1		
5	GPW3200-5	YG3.003.226	Upper Alu plate	1		
6	GPW3200-6	YG3.005.296	Front Panel	1		
7	GPW3200-7	YG2.009.154	Handle	1		
8	GPW3200-8	YG3.001.184	Grip Foam	1		
9	GPW3200-9	YG3.005.328	Throttle Lever Adjust cap	1		
10	GPW3200-10	YG3.001.191	Rubber strip	1		
11	GPW3200-11	YG3.005.290	Gun Holder	1		
12	GPW3200-12	YG3.005.321	Hose Hook	1		
13	GPW3200-13	GB/T 889.1-2000	Hexagon Nut M5	12		
14	GPW3200-14	YG3.005.297	Rear Panel	1		
15	GPW3200-15	GB/T 845-1985	Cross Pan Head Tapping Screw ST4x20	4		
16	GPW3200-16		High Pressure Hose	1		25'
17	GPW3200-17	GB/T 845-1985	Cross Pan Head Tapping Screw ST4x10	4		
18	GPW3200-18	GB/T 95-2002	Plain Washer φ8	19		
19	GPW3200-19	YG3.005.212	Throttle Lever Positioning Plate	1		
20	GPW3200-20	YG3.001.006	Plug φ32	2		
21	GPW3200-21	YG2.009.153	Frame	1		
22	GPW3200-22	YG3.002.445	Washer	4		
23	GPW3200-23	YG3.002.444	Rotation Shaft	2		
24	GPW3200-24	YG3.005.325	Knob Component	2		
25	GPW3200-25	GB 894.1-1986	Circlip φ8	2		
26	GPW3200-26	YG3.001.001	Over Flow Valve Cap	1		
27	GPW3200-27	GB/T 70.1-2008	Inner Hexagon Bolt M8x25	4		
28	GPW3200-28	YG3.001.002	Drain Pipe	1		
29	GPW3200-29	GB/T 93-1987-8	Spring Washer φ8	4		
30	GPW3200-30	YG3.003.210	Baseboard	1		
31	GPW3200-31	W8.772.062	Protecting Sleeve	2		
32	GPW3200-32	YG3.002.004	Clip	2		
33	GPW3200-33	YG3.002.005	Spring Wire	2		
34	GPW3200-34	YG3.002.003	Wheel Axle	2		
35	GPW3200-35	YG2.006.001	10" Solid Wheel	2		
36	GPW3200-36	GB/T 95-2002	Plain Washer φ16	2		
37	GPW3200-37	GB 894.1-1986	Circlip φ16	2		
38	GPW3200-38	GB/T 70.1-2008	Inner Hexagon Bolt M8x45	2		
39	GPW3200-39	YG3.002.376	Rubber Foot Gasket	2		
40	GPW3200-40	YG3.001.005	Rubber Foot φ70	2		

41	GPW3200-41	GB/T 70.1-2008	Inner Hexagon Bolt M8x45	4		
42	GPW3200-42	GB/T 889.1-2000	Locknut M8	6		
43	GPW3200-43	GB/T 818-2000	Cross Pan Head Screw M5x45	4		
44	GPW3200-44	GB/T 818-2000	Cross Pan Head Screw M6x45	4		
45	GPW3200-45	YG3.001.012	Engine Isolator	1		
46	GPW3200-46	LCT 208cc Engine	Engine	1		LCT 208cc
47	GPW3200-47	W5.160.054	High Pressure Pump	1		
48	GPW3200-48	YG3.002.456	Outer locating part	1		
49	GPW3200-49	YG3.002.458	Locating pin	1		
50	GPW3200-50	YG2.002.455	Spring	1		
51	GPW3200-51	YG3.002.457	Inner locating part	1		
52	GPW3200-52	YG3.005.291	Gun Holster	2		
53	GPW3200-53	GB/T 818-2000	Cross Pan Head Screw M5x50	2		
54	GPW3200-54	YG3.002.460	Muffler guard	1		
55	GPW3200-55	YG2.003.004B-1	Gun	1		
56	GPW3200-56	YG2.003.004B-2	Wand	1		
57	GPW3200-57	YG3.005.029	Detergent Bottle Cap	2		
58	GPW3200-58	YG3.001.054	Detergent Bottle Gasket	2		
59	GPW3200-59	YG3.005.329	Detergent bottle plate(Upper)	1		
60	GPW3200-60	GB/T 845-1985	Cross Pan Head Tapping Screw ST4x16	3		
61	GPW3200-61	GB/T 845-1985	Cross Pan Head Tapping Screw ST4x8	2		
62	GPW3200-62	YG3.005.292	Detergent Bottle B	1		
63	GPW3200-63	YG3.005.330	Detergent bottle plate(Lower)	1		
64	GPW3200-64	YG2.003.223	Detergent Bottle fixing plate(long)	1		
65	GPW3200-65	YG3.003.225	Detergent Bottle fixing plate(right)	1		
66	GPW3200-66	GB/T 95-2002-5	Plain Washer φ5	4		
67	GPW3200-67	GB/T 818-2000	Cross Pan Head Screw M5x12	4		
68	GPW3200-68	GB/T 818-2000	Cross Pan Head Screw M5x16	2		
69	GPW3200-69	YG3.001.003	Injection Hose 850mm	1		
70	GPW3200-70	YG3.003.224	Detergent Bottle fixing plate(left)	1		
71	GPW3200-71	YG2.007.105	Detergent Adjust Switch Assy	1		
72	GPW3200-72	YG3.003.215	Adjust Switch Plate	1		
73	GPW3200-73	GB/T 818-2000-M4x8	Cross Pan Head Screw M4x8	1		
74	GPW3200-74	YG3.005.025	Adjust Switch Nut	1		
75	GPW3200-75	YG3.002.186	Injection Hose Clip	5		
76	GPW3200-76	YG3.001.003	Injection Hose 310mm	2		
77	GPW3200-77	YG3.005.293	Detergent Bottle A	1		