

THE **JOB PRO**[®] by **Mi-T-M**[®]

8650 Enterprise Drive, Peosta IA 52068
563-556-7484 / Fax 563-556-1235
www.mitm.com

PARTS LIST FOR ***JP-4004-0MVB*** ***(AFTER SERIAL #10070000)***

Engine Oil Grade:

Above 40°F=SAE30

Below 40°F=SAE10W-30

Engine Oil Capacity:

56 oz.

Pump Oil Grade:

Mi-T-M Pump Oil #AW-4085-0016

Pump Oil Capacity:

18.5 oz.

Nozzle Size:

3.5

This Parts Listing has been compiled for your benefit. You can be assured your Mi-T-M Cold Water Pressure Washer was constructed and designed with quality and performance in mind using over 25 years experience in the pressure washer business. Each component has been rigorously tested to insure the highest level of acceptance.

The contents of this Parts Listing are based on the latest product information available at the time of publication. Mi-T-M reserves the right to make changes in price, color, materials, equipment, specifications or models at any time without notice.

WARNING

THIS IS A PROFESSIONAL HIGH PRESSURE, COLD WATER PRESSURE WASHER. CAUTION SHOULD BE OBSERVED WHEN USING OR REPAIRING THIS UNIT! READ AND FOLLOW THE SAFETY WARNINGS LISTED BELOW BEFORE ATTEMPTING ANY REPAIRS ON THIS PRESSURE WASHER!

SAFETY WARNINGS

1. NEVER alter or modify the equipment. Be sure any accessory items and system components being used will withstand the pressure developed. Use only genuine Mi-T-M parts for repair of your pressure washer. Failure to do so can cause hazardous operating conditions and will VOID warranty.
2. NEVER make adjustments on machinery while the unit is connected to the engine without first removing the ignition cable from the spark plug. Turning over the machinery by hand during adjustment or cleaning might start the engine and machinery with it, causing serious injury to the operator.
3. Know how to stop and bleed pressures quickly. Be thoroughly familiar with controls.
4. Before servicing the unit, turn unit off, relieve the water pressure and allow the unit to cool down. Do not make repairs while the unit is running. Service in a clean, dry, flat area. Block the wheels to prevent the unit from moving. Be especially careful to properly dispose of any flammable materials.
5. After testing the machine, DO NOT leave the pressurized unit unattended. Shut off the unit and release trapped pressure before leaving.

Table of Contents

SPECIFICATIONS	3
FRAME ASSEMBLY FOR JP-4004-0MVB (AFTER SERIAL #10070000)	4
PUMP ASSEMBLY (3-0231)	6
UNLOADER ASSEMBLY (8-0533)	8
GUN ASSEMBLY (16-0001)	10

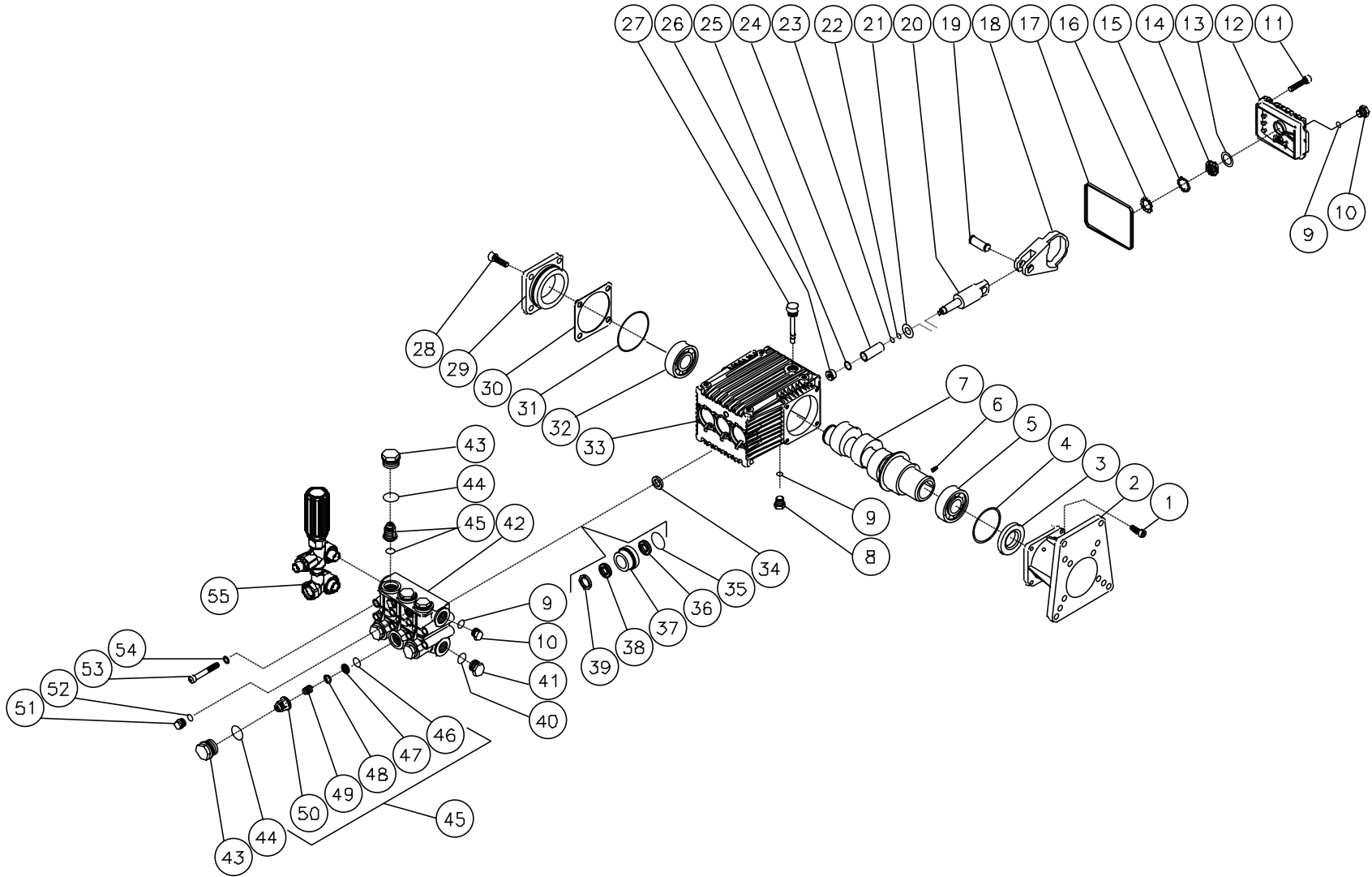
SPECIFICATIONS

MODEL NUMBER	JP-4004-0MVB
Operating Pressure (PSI/Bar):	4000/275.8
High Pressure Nozzle:	3.5
Water Volume (GPM/lpm):	4.0/15.1
Engine:	Vanguard
Horsepower	16.0
Engine Type	4 Stroke, Overhead Valve, Single Cylinder
Oil Type	Above 40°F=SAE 30/Below 40°F=SAE 10W-30
Oil Capacity (oz./liters)	56/1.66
Low Oil Protection	Oil Guard™
Fuel Type	Unleaded Gasoline 86 Octane Minimum
Fuel Capacity (gallon/ liters)	2.25/8.52
Starting	Recoil
Maximum No Load RPM	3600 (+/- 100) RPM
Pump:	Direct Driven, Oil Bath, Triplex Piston
Oil Type	Mi-T-M Pump Oil #AW-4085-0016
Oil Capacity (oz./liters)	18.5/.55
Plungers	Ceramic
Manifold	Forged Brass
Valves	Stainless Steel
Unloader	Adjustable
Heat Dump Valve	Relieves heated water during unloader bypass stage
Unit Net Weight (lbs/Kg)	192/
Unit Shipping Weight (lbs/Kg)	268
Unit Net Dimension (in/cm)	39.5L x 28.5W x 29H / 100L x 72W x 74H
Unit Shipping Dimension (in/cm)	48L x 30W x 34H / 122L x 76W x 86H

FRAME ASSEMBLY FOR JP-4004-0MVB (AFTER SERIAL #10070000)

REF. #	DESCRIPTION	PART #	QTY.	REF. #	DESCRIPTION	PART #	QTY.	REF. #	DESCRIPTION	PART #	QTY.
1	Locknut	30-0157	18	23	Rear Handle	7-0104A01	1	48	Decal- Caution: Risk of Fire (See 34-9018)	N/A Sep.	1
2	Washer	28-0003	22	24	Decal- Data Plate	N/A	1	49	Engine- 16.0 HP Vanguard	1-0056	1
3	Terminal	32-0097	4	25	Decal- Warning/Caution/Operation (See 34-9018)	N/A Sep.	1	50	Decal- Job Pro	34-0778	1
4	Terminal Protector	33-0004	1	26	Thermal Relief Valve	22-0005	1	51	Decal- 4000 PSI Die Cut	34-1400	1
5	Cable (Neg.) *(Two Feet Required)	32-0065	1	27	O-ring (Replacement Only)	25-0123	-	52	Bolt	27-0070	4
-	Cable (Positive) *(Two Feet Required)	32-0065	1	28	Quick Connect Socket	17-0004	2	53	Terminal	32-0099	1
6	Battery	32-0058	1	29	Hose Lock	23-0142	1	54	Wire *(Three Feet Required)	32-0092	1
7	Screw	27-0066	4	30	Elbow	23-0014	1	55	Detergent Hose *(Two Feet Required)	15-0021	1
8	Decal- Caution: Disconnect Battery (E/S) (See 34-9018)	N/A Sep.	1	31	Filter Inlet	19-0207	1	56	Terminal	32-0221	1
9	Battery Box	33-0092	1	32	Pump	3-0231	1	57	Wire Clip Fastener	43-0003	2
10	Battery Retainer	20-0264A01	1	33	Bypass Hose *(One Foot Required)	15-0008	1	58	Screw	27-3062	2
11	Tag: Battery	34-0096	1	34	Hose Barb	23-0141	1	59	Gun/Wand Assembly (Inc. 60-64)	851-0095	1
12	Front Handle	7-0101A01	1	35	Key	43-0078	1	60	Quick Connect Plug	17-0005	1
13	Underbracket	13-0042A01	1	36	Bolt	27-0118	4	61	Gun	16-0001	1
14	Isolator	14-0008	2	37	Lockwasher	29-0008	4	62	Gun Grip	7-0002	1
15	Bolt	27-0068	6	38	Washer	28-0022	4	63	Wand w/ Handle	16-0418	1
16	Baseplate	5-0186A01	1	39	Easy Start Valve	22-0242	1	64	Quick Connect Socket	17-0001	1
17	Decal- Nozzles 0, 15, 25, 40	34-0500	1	40	Elbow	23-0118	1	65	O-ring	25-0122	1
18	Grommet	33-0002	5	41	Bolt w/Washer	27-8968	6	66	Decal- Warning: Risk of Injection (See 34-9018)	N/A Sep.	1
19	Nozzle- 0004	18-0028	1	42	Muffler	45-0064	1	67	Hose Assembly (Inc. 28, 68-69)	851-0338	1
-	Nozzle- 1504	18-0029	1	43	Muffler Guard	45-0067	1	68	Hose	15-0209	1
-	Nozzle- 2504	18-0030	1	44	Bolt	27-8966	2	69	Quick Connect Plug	17-0006	1
20	Wheel	14-0006	2	45	Screw	27-8967	2		Safety Decal Kit (Inc. 8, 25, 47-48, 66)	34-9005	
21	Jam Nut	30-0117	2	46	Exhaust Gasket	45-0066	2	*Must Order in One Foot Lengths			
22	Bolt	27-0067	4	47	Decal- Warning: Risk of Burns (See 34-9018)	N/A Sep.	1				

PUMP ASSEMBLY (3-0231)

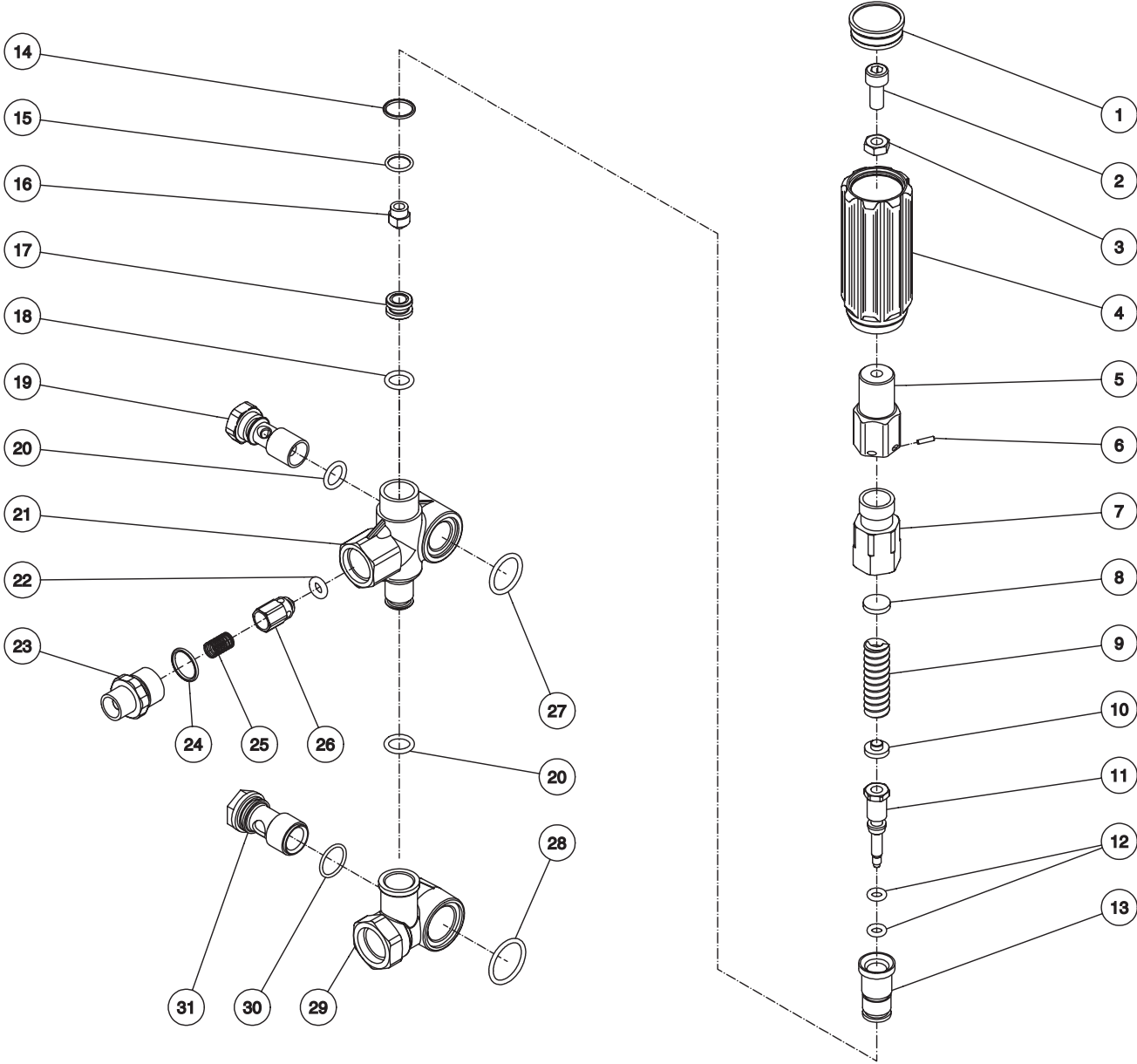


3-0231-030503-RD

PUMP ASSEMBLY (3-0231)

REF. #	DESCRIPTION	PART #	QTY.	REF. #	DESCRIPTION	PART #	QTY.	REF. #	DESCRIPTION	PART #	QTY.
1	Bolt	27-8432	4	21	Washer	46-0700	3	41	Plug	39-0088	1
2	Flange	46-0714	1	22	Back-up Ring	25-0404	3	42	Manifold	46-0711	1
3	Oil Seal	26-0194	1	23	O-ring	25-0382	3	43	Valve Cap	39-0095	6
4	O-ring	25-0397	1	24	Piston	46-0701	3	44	O-ring	25-0160	6
5	Bearing	48-0062	1	25	Washer	26-0191	3	45	Single Valve Assembly (Inc. 46-50) (See 70-0179)	N/A Sep.	6
6	Set Screw	27-8886	1	26	Nut	30-6020	3	46	O-ring	25-0386	6
7	Crankshaft	46-0895	1	27	Oil Dipstick	39-0090	1	47	Valve Seat (See 70-0179)	N/A Sep.	6
8	Plug	39-0102	1	28	Bolt	27-8884	4	48	Valve Plate (See 70-0179)	N/A Sep.	6
9	O-ring	25-0325	3	29	Support Bearing Cap	46-0703	1	49	Valve Spring (See 70-0179)	N/A Sep.	6
10	Plug	39-0086	2	30	Shim- 0.1mm (Quantity Varies 1-3)	46-0704	-	50	Valve Cage (See 70-0179)	N/A Sep.	6
11	Bolt	27-8885	6	-	Shim- 0.2mm (Quantity Varies 1-3)	46-0705	-	51	Plug	39-0096	2
12	Crankcase Cover	46-0719	1	31	O-ring	28-0380	1	52	O-ring	25-0387	2
13	O-ring	25-0370	1	32	Bearing	48-0072	1	53	Bolt	27-8440	8
14	Oil Sight Glass	46-0670	1	33	Crankcase	46-0811	1	54	Lockwasher	29-0154	8
15	Reflector	46-0824	1	34	Oil Seal	46-0931	3	55	Unloader Assembly	8-0533	1
16	Retainer	46-0671	1	35	O-ring	25-0384	3		Piston Kit (Inc. 3 each 21-26)	70-0352	
17	O-ring	25-0398	1	36	Low Pressure Seal (See 70-0177)	N/A Sep.	3		Oil Seals Kit (Inc. 3, 4, 17, 31, 34)	70-0337	
18	Connecting Rod- Bronze	46-0922	3	37	Packing Retainer	46-0708	3		High Pressure Seals Kit (Inc. 3 each 35, 36, 38)	70-0177	
-	Connecting Rod- Aluminum	46-0893	3	38	V-Packings (See 70-0177)	N/A Sep.	3		Support Ring Kit (Includes 3 each 39)	70-0182	
19	Piston Pin	46-0698	3	39	Support Ring (See 70-0178)	N/A Sep.	3		Valve Kit (Includes 6 each 45-50)	70-0179	
20	Plunger Rod	46-0699	3	40	O-ring	25-0372	1				

UNLOADER ASSEMBLY (8-0533)

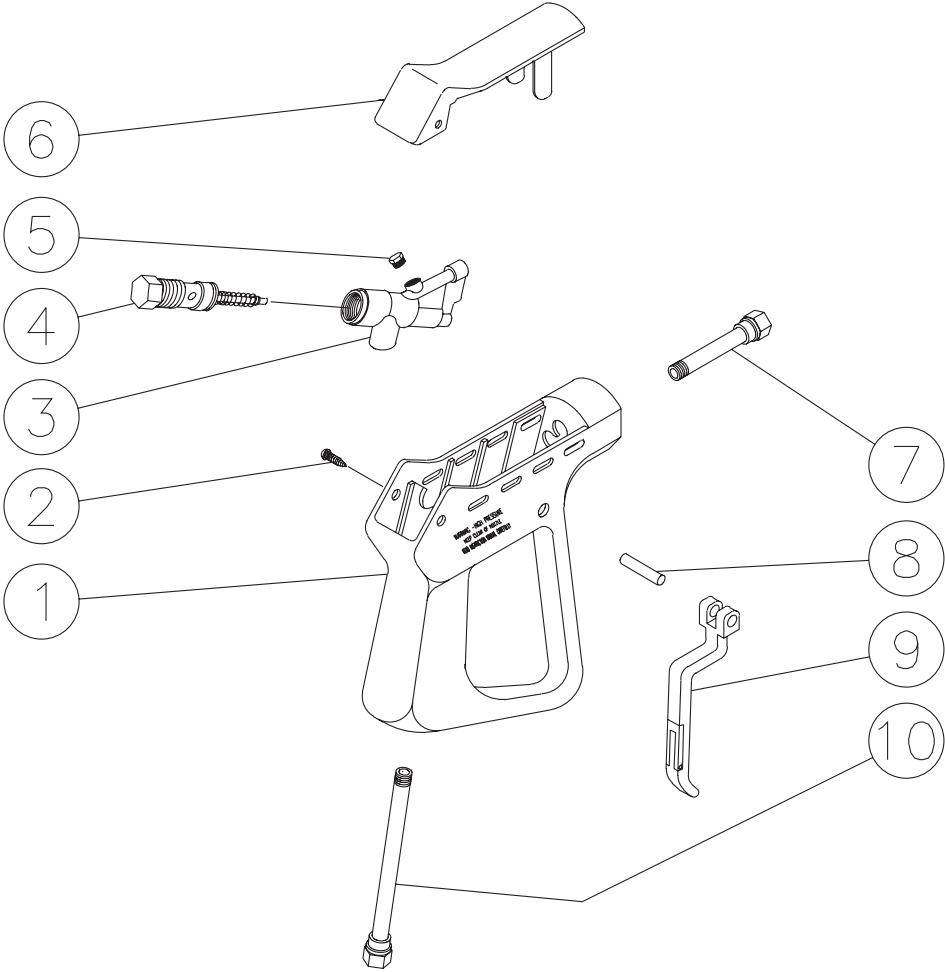


8-0533-022703-DLG

UNLOADER ASSEMBLY (8-0533)

REF. #	DESCRIPTION	PART #	QTY.	REF. #	DESCRIPTION	PART #	QTY.
1	Unloader Cap	7-0142	1	17	Seat	8-0529	1
2	Screw	27-8433	1	18	O-ring	25-0527	1
3	Nut	30-3025	1	19	Bolt	8-0531	1
4	Unloader Knob	7-0141	1	20	O-ring	25-0388	2
5	Unloader	8-0476	1	21	Unloader Body	8-0530	1
6	Unloader Pin	8-0478	1	22	O-ring	25-0437	1
7	Spring Guide	8-0523	1	23	Adapter Nipple	24-0159	1
8	Upper Plate	8-0524	1	24	O-ring	25-0372	1
9	Unloader Spring	49-0132	1	25	Unloader Check Valve Spring	49-0123	1
10	Lower Plate	8-0525	1	26	Unloader Check Valve	8-0454	1
11	Piston	8-0526	1	27	O-ring	25-0528	1
12	O-ring	25-0526	2	28	O-ring	25-0519	1
13	Piston Guide	8-0527	1	29	Bypass Housing	8-0532	1
14	O-ring	25-0510	1	30	O-ring	25-0389	1
15	O-ring	25-0407	1	31	Bolt	8-0517	1
16	Bypass Jet	8-0528	1		Unloader Repair Kit (Inc. 12, 14-15, 18, 20, 22, 24, 27, 28, 30)	70-0341	

GUN ASSEMBLY (16-0001)



GUN ASSEMBLY (16-0001)			
REF. #	DESCRIPTION	PART #	QTY.
1	Plastic Housing	16-0008	1
2	Screw	27-3230	2
3	Brass Housing	16-0012	1
4	Gun Repair Kit	70-0055	1
5	Brass Plug	39-0024	1
6	Plastic Cover	16-0009	1
7	Pipe Assembly	16-0013	1
8	Trigger Pin	16-0063	1
9	Trigger/Safety Lock-off	16-0010	1
10	Pipe Assembly- Inlet	16-0016	1
	Complete Gun Assembly	16-0001	1

