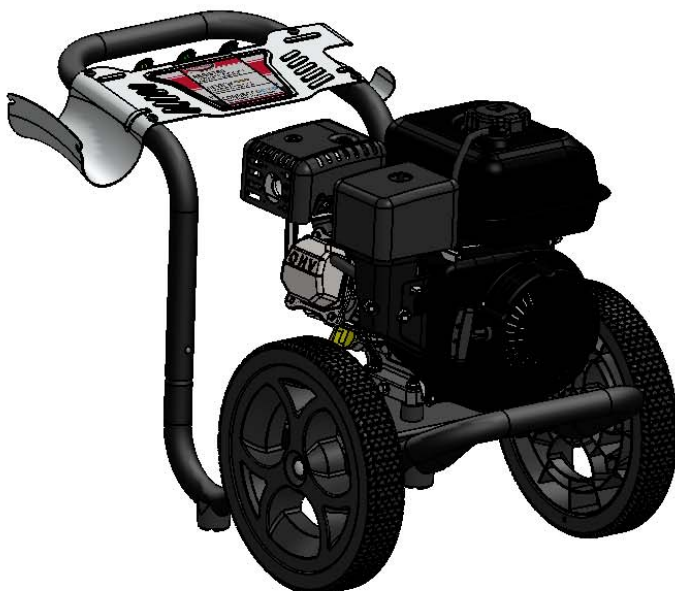


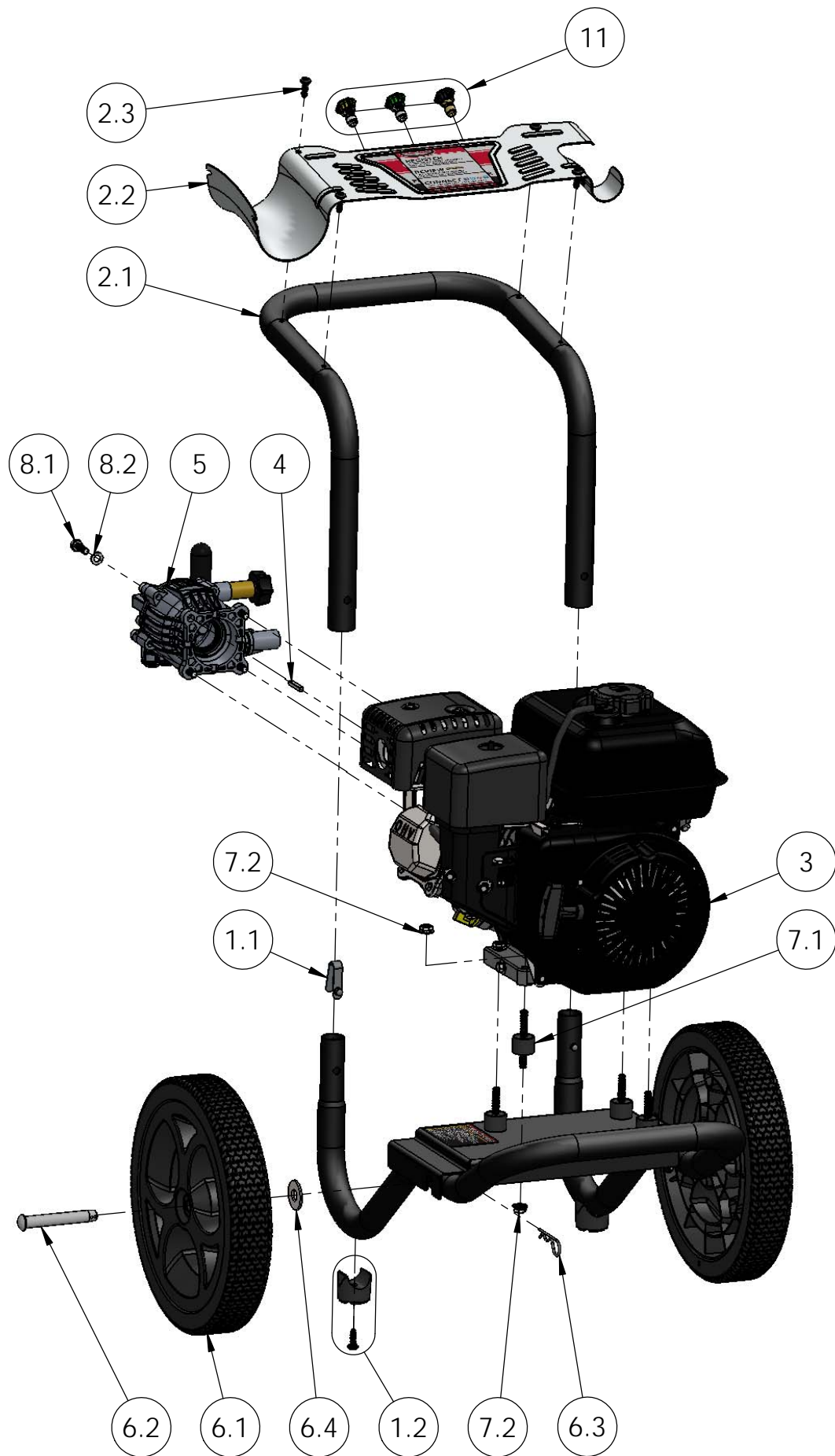
ITEM NO.	PART NO.	DESCRIPTION	QTY.
1	7108500	FRAME WELDMENT, OPP, BLACK W/FEET	1
1.1	7102122	BUTTON, SNAP	2
1.2	7105468	FOOT, SVC KIT FITTED RUBBER AND SCREW	2
2	7108758	HANDLE ASSEMBLY KIT MS60799	1
† 2.1	7107896	TUBE, HANDLE OPP PUNCH-BENT 18GA BLACK	1
2.2	7108457	SILVER OPP DASH-NOZZLE HOLDER X3 ASSY	1
† 2.3	7103264	SCREW, TORX PANHEAD 1/4"-20 x 3/4"	4
3	7104174	KEY, SHAFT 3/16" x 3/16" x 1 1/4"	1
4	7108755	ENGINE, SVC KIT ASSY, SHINERAY 49 ST W/LABELS	1
5	7108379	PUMP, SERVICE ASSY 2800@2.4 HORIZONTAL	1
5.1	520011	PUMP, 2800PSI@2.4GPM HORIZ-AX AL NO P-B	1
† 5.2		BOLT 5/16"-24 x 1" HHCS GR5	4
† 5.3		WASHER, SPLIT-LOCK 5/16" RUST RESISTANT	4
† 5.4	7104122	CAP, UNLOADER COVER 1 1/2" x 5/8" BLACK	1
† 5.5		KEY, SHAFT 3/16" x 3/16" x 1 1/4"	1
6	7108669	WHEEL KIT, 12" x 2"	2
† 6.1		POWERWASHER WHEEL 12"X2" POLYPRO/PVC BLK	1
† 6.2		AXLE, STUB .525" x 3.655" ROUND HEAD ZN	1
† 6.3		COTTER PIN, 3/8-5/8" x 3/32 x 2-3/8 STL	1
† 6.4		WASHER, 1/2" FLAT SAE THROUGH HARDENED	1
7	7108382	HARDWARE KIT, ENGINE MOUNT VIBRATION DAMPING	1
† 7.1		VIBRATION MOUNT 3/4" X 1.0" DIA BLK	4
† 7.2		NUT, WHIZ 5/16"-18	8
8	7105474	HARDWARE KIT, PUMP MOUNTING	1
† 8.1		BOLT 5/16"-24 x 1" HHCS GR5	4
† 8.2		WASHER, SPLIT-LOCK 5/16" RUST RESISTANT	4
* 9	7106419	HOSE, MORFLEX 1/4" x 25' x 3100PSI M22(M) x M22(F)	1
* 10	7103550	LANCE, 16" W/ 1/4" QC-F x M22(M)	1
11	7106845	NOZZLE, #2.8 3PC SET	1
* 12	7107956	GUN, OEM FRONT ENTRY, OF341 3400 PSI	1
* 13	7102207	SOAP HOSE AND FILTER KIT	1
* 14	7102045	TOOL, NOZZLE CLEANING, UNIVERSAL	1
* 15	7108757	MANUAL AND ACCESSORY KIT MS60799	1
* 16	7108756	BOX, SVC KIT MS60799	1

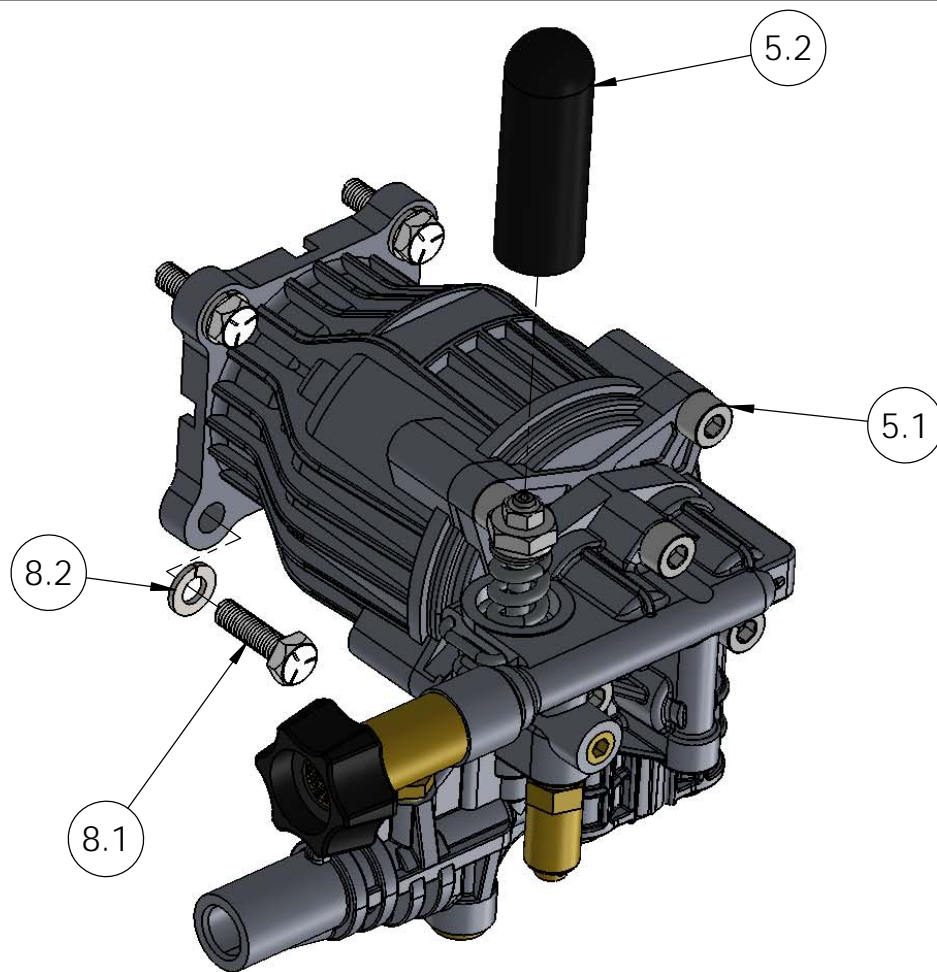
* ITEM NOT SHOWN

† ITEM NOT SOLD SEPERATELY



NAME		DATE	FNA-GROUP	
DRAWN	KDB	1/14/2016	1265 INDUSTRIAL STREET, DECATUR, AR 72722	
CHECKED			TITLE:	
ENG APPR.			MS60799 2600PSI @	
MFG APPR.			2.3GPM (49 STATE)	
O.A. APPR.			SIZE	REV.
SERVICE APPR.			A	NR
PROPRIETARY AND CONFIDENTIAL THE INFORMATION CONTAINED IN THIS DRAWING IS THE SOLE PROPERTY OF FNA-GROUP. ANY REPRODUCTION IN PART OR AS A WHOLE WITHOUT THE WRITTEN PERMISSION OF FNA-GROUP IS PROHIBITED.			DWG. NO.	60799
SCALE: N/A		ECN#	SHEET 1 OF 3	

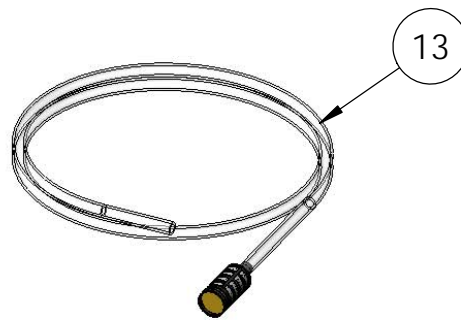




5 PUMP, SVC ASSY 2800@2.4 W/O PB 11 DEG WOBBLE PLATE
PART NO. 7108379

ITEM NO.	PART NO.	DESCRIPTION	QTY.
5.1	520011	PUMP, 2800PSI@2.4GPM HORIZ-AX AL NO P-B	1
5.2	7104122	CAP, UNLOADER COVER 1 1/2" x 5/8" BLACK	1
8.1		BOLT 5/16"-24 x 1" HHCS GR5	4
8.2		WASHER, SPLIT-LOCK 5/16" RUST RESISTANT	4
* 4	7104174	KEY, SHAFT 3/16" x 3/16" x 1 1/4"	1

* NOT SHOWN



KIT, SOAP HOSE & FILTER
PART NO. 7102207