

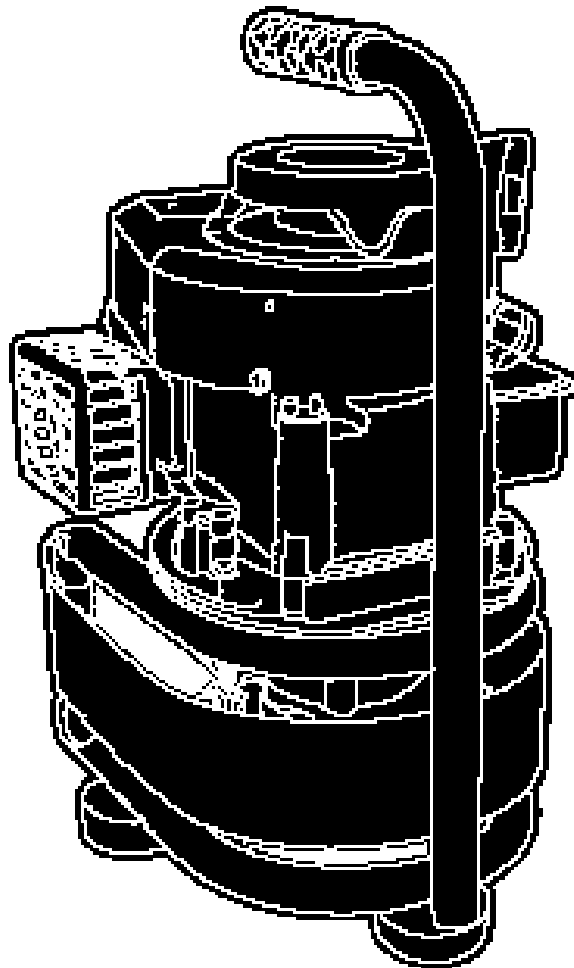
GENERAC[®]
Portable Products

by



1900PSI

Illustrated Parts List

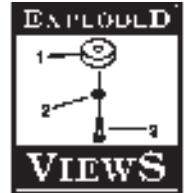


Questions? Help is just a moment away!
Preguntas? La ayuda es justa un momento lejos!
Call: **Pressure Washer Helpline**

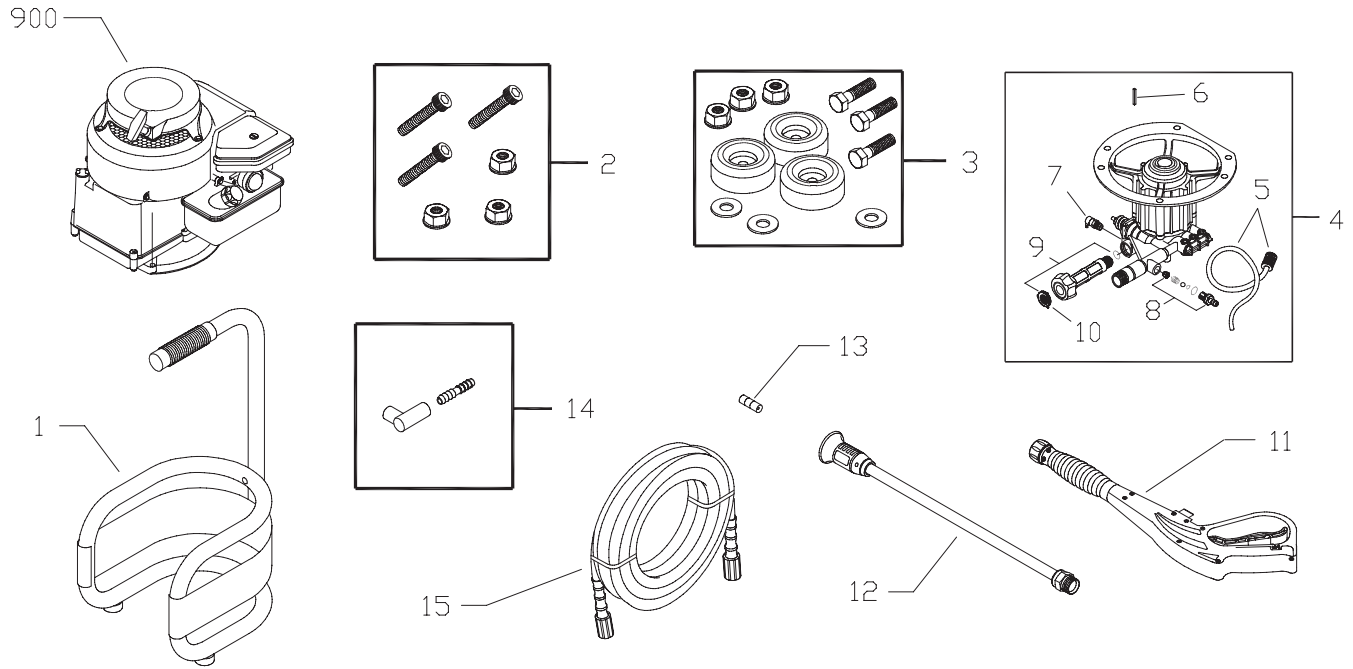
Llame: **Línea Directa del Lavador a Presión - 1-800-743-4115** M-F 8-5 CT

BRIGGS & STRATTON POWER PRODUCTS GROUP, LLC
JEFFERSON, WISCONSIN, U.S.A.

Model No. 01694-04 (1900 PSI Pressure Washer) Manual No. 197185A Revision A (09/08/2008)



EXPLODED VIEW AND PARTS LIST - MAIN UNIT



Item	Part #	Description
1	M190259GS	BASE, w/Mounts
2	192308GS	KIT, Pump/Engine Mounting Hardware
3	197887GS	KIT, Vibration Mount
4	200200GS	PUMP, Complete
5	189971GS	Kit, Chemical Hose
6	23139GS	Key
7	194298GS	Valve, Thermal Relief
8	200279GS	Kit, Chemical Injection
9	200278GS	Kit, Water Inlet
10	B2384GS	Filter
11	199117GS	GUN
12	205015DGS	WAND, Adjustable
13	B1236DGS	ORIFICE
14	195175GS	KIT, Chemical Connector 90° w/Barb
15	196006GS	HOSE
900	§	ENGINE

Items Not Illustrated	
197185GS	MANUAL, Operator's
MS5573	MANUAL, Engine
87815GS	GOGGLES
BB3061BGS	OIL BOTTLE
192754GS	DECAL, Warning
191163GS	GRIP, Handle
6048	KIT, O-Ring Maintenance

Optional Accessories	
6039	PUMP SAVER

§ - Contact Engine Manufacturer

Copyright © 2008 Briggs & Stratton Power Products Group, LLC. All rights reserved. No part of this material may be reproduced or transmitted in any form by any means without the express written permission of Briggs & Stratton Power Products Group, LLC.