



Illustrated Parts List



Questions? Help is just a moment away!

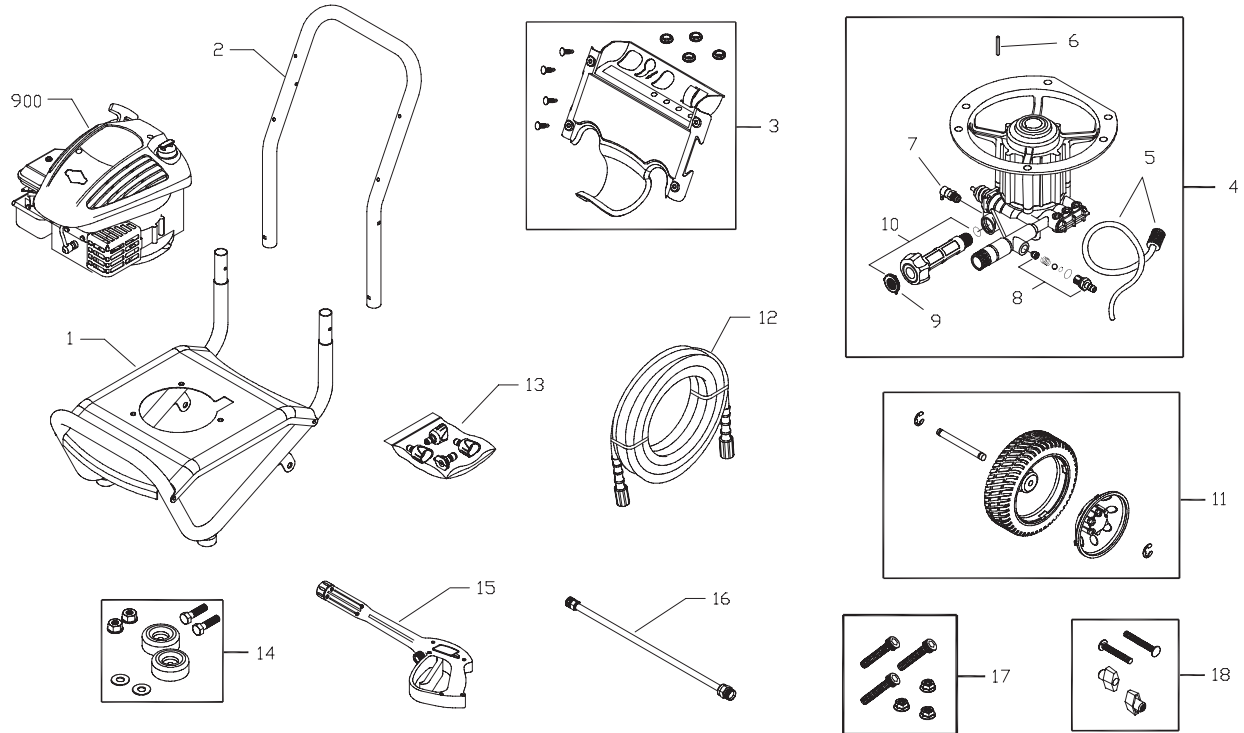
Call: **Pressure Washer Helpline**

1-800-743-4115 M-F 8-5 CT

BRIGGS & STRATTON POWER PRODUCTS GROUP, LLC
JEFFERSON, WISCONSIN, U.S.A.

Model No. 020272 (2200 PSI (151.7 BARS) Pressure Washer) Manual No. 206227A Revision B (02/07/2008)

Exploded View and Parts list — Main Unit



Item	Part #	Description	Item	Part #	Description
1	202791GS	ASSY, Base	14	192310GS	KIT, Vibration Mount
2	Y199110GS	HANDLE	15	204627GS	GUN
3	202792GS	KIT, Billboard Assy w/Decal & Clips	16	200595GS	EXTENSION, QC
	195964GS	Clips, Tree	17	192649GS	KIT, Pump Mounting Hardware
	30809GS	Grommet	18	B2203GS	KIT, Handle Connector
4	200200GS	ASSY, Pump	900	§	ENGINE
5	189971GS	Kit, Chemical Hose	Items Not Illustrated:		
6	23139GS	Key	206227GS	MANUAL, Operator's	
7	194298GS	Valve, Thermal Relief	194256GS	KIT, Tag/Warning Service	
8	200279GS	Kit, Chemical Injection	BB3061BGS	OIL BOTTLE	
9	B2384GS	Filter, Inlet	793973	ASSY, Shroud/Label	
10	200278GS	Kit, Water Inlet	794693	LABEL, Warning	
11	202483GS	KIT, Wheel	202442GS	DECAL, Shroud	
	201313GS	Axle	87815GS	GOGGLES	
	200520GS	Cap, Hub	Optional Accessories		
	192050GS	E-Ring	6048	KIT, O-Ring Maintenance	
12	202017GS	HOSE	6039	PUMP SAVER	
13	202181GS	KIT, Nozzles	§ - Contact Engine Manufacturer		
	198841GS	Nozzle, Soap			
	201580AEGS	Nozzle, QC, Project Pro, Red			
	201580XGS	Nozzle, QC, Project Pro, Orange			
	201580RGS	Nozzle, QC, Project Pro, Yellow			

Copyright © 2008 Briggs & Stratton Power Products Group, LLC. All rights reserved. No part of this material may be reproduced or transmitted in any form by any means without the express written permission of Briggs & Stratton Power Products Group, LLC.