



APW5119

Owner's Manual

3200 PSI Pressure Washer



**HAVE QUESTIONS OR NEED SERVICE
DO NOT RETURN TO STORE!
888.896.6881**



Warning To Reduce The Risk Of Injury, User Must
Read And Understand Instruction Manual.

www.jdna.com

Pressure Washer

Important Safety Instructions

WARNING – When using this product basic precautions should always be followed, including the following:

1. Read all the instructions before using the product.
2. To reduce the risk of injury, close supervision is necessary when a product is used near children.
3. Know how to stop the product and bleed pressures quickly. Be thoroughly familiar with the controls.
4. Stay alert – watch what you are doing.
5. Do not operate the product when fatigued or under the influence of alcohol or drugs.
6. Keep operating area clear of all persons
7. Do not overreach or stand on unstable support. Keep good footing and balance at all times.
8. Follow the maintenance instructions specified in the manual.

“WARNING – Risk of Injection or Injury– Do Not Direct Discharge Stream At Persons.”

1. “WARNING: If you do not follow these instructions exactly, a fire or explosion may result causing property damage, personal injury or loss of life.”
2. “In the event of pilot outage, wait at least five minutes to clear out any gas before relighting.”
3. “Use only your hand to push in or turn the gas control knob. Never use a tool. If the knob will not push in or turn by hand, don’t try to repair it, call a qualified service technician.”

Pressure Washer

Table of Contents

Topic	Page
Safety Guidelines-Definitions	3
General Precautions	4
Assembly/Start-up	7
Maintenance	11
Trouble Shooting	14
Warranty	16
Parts List	18

Owner's Manual



Warning! Read And Understand All Safety Precautions In This Manual Before Operating. Failure To Comply With Instructions In This Manual Could Result In Personal Injury, Property Damage, And / Or Voiding Of Your Warranty. All Power America Will Not Be Liable For Any Damage Because Of Failure To Follow These Instructions.

Safety Symbols

The following symbols are used throughout this manual. Follow listed instructions to ensure your safety.

DANGER

Indicates an imminently hazardous situation which, if not avoided will result in serious injury or even death.



WARNING

Indicates an imminently hazardous situation which, if not avoided will result in serious injury or even death.



CAUTION

Indicates a potentially hazardous situation exists, which if not avoided, may result in minor or moderate injury or product damage.



NOTE

Indicates operation or maintenance information helpful to improve performance or operation.

Owner's Manual

Pressure Washer

The following safety precautions apply whenever using, storing, or servicing your pressure washer to reduce the possibility of personal injury.

Overlooking or ignoring these precautions can lead to personal injury or product damage.



- Read this manual carefully. Know your equipment. Consider applications, potential hazards and limitations for your unit.
- This equipment is designed for specific applications. Do not modify or use for any application other than which it is designed for.
- Store the pressure washer in a well ventilated area with the fuel tank empty. Fuel should not be stored near the pressure washer.
- Never operate pressure washer under these conditions:
 - a. A noticeable change in engine speed.
 - b. A noticeable loss of pressure.
 - c. Engine misfires.
 - d. Smoke or flames are present.
 - e. Enclosed area.
 - f. Excessive vibration.
 - g. Rain or bad weather.
- Water spray must never be directed towards people, pets, electric wiring, or directly towards the pressure washer.
- Do not allow the hose to come in contact with the hot muffler
- Equipment must be placed on a firm supporting surface.
- Remove the spark plug or cable from the spark plug to prevent accidental starting when not in use, or prior to detaching the high pressure hose.

Owner's Manual

General Precautions (cont'd)

- Keep the pressure washer clean and free of oil, mud and other foreign matter.
- Do not wear loose clothing, jewelry, or anything that may be caught in the engine.
- Never direct spray at people or animals.
- Never allow children to operate pressure washer at any time.
- Use both hands to control the wand.
- Do not touch the nozzle or water spray while operating.
- Wear safety goggles while operating.
- Only approved hoses and nozzles should be used.
- Do not kink the high pressure hose.
- All hose connections must be properly sealed.
- In extremely cold conditions, prior to starting be sure ice has not formed in any part of the pressure washer.
- Use only recommended chemicals.
- Outdoor use only.
- Place pressure washer away from cleaning site during operation.
- To prevent accidental discharge, the spray gun should be secured by locking the trigger when not in use.
- Do not run the pressure washer more than 5 minutes without depressing the trigger or damage to the pump may occur.
- Check the pressure washers periodically for damage, leaks or signs of deterioration. All defects should be corrected before operating the pressure washer.

Owner's Manual

General Precautions (cont'd)

- Do not touch hot muffler.
- Service, operate and refuel under the following conditions:
 - a. Good ventilation
 - b. Refuel the pressure washer in a well lit area.
 - c. Avoid fuel spills and never refuel while the pressure washer is running.
 - d. Avoid any ignition source when refueling.
 - e. Use lead free fuel with a minimum of 85 octane.
- Do not smoke near pressure washer.
- Do not operate under 40° fahrenheit.

Safety Features

THERMAL RELIEF VALVE

A thermal relief valve is provided to protect the pump from overheating if the spray gun is closed for an extended amount of time or the nozzle becomes plugged. However, it is intended to be used as a backup system and every effort should be made to not permit the pump to heat up.

We recommend to turn the pressure washer OFF if it will not be used for more than 5 minutes. This saves wear on the unit, reduces fuel consumption and extends the life of the pump by avoiding overheating.

SAFETY LOCK LATCH

To prevent accidental discharge of high pressure water, the safety latch on the trigger should be engaged whenever the pressure washer is not in use.

LOW-OIL SHUTDOWN

Some engines are equipped with low-oil shutdown systems. If the engine oil level becomes lower than required, the pressure washer will automatically shut off. Refer to the engine manual for this feature. This protects your pressure washer engine from operating without proper lubrication.

If the pressure washer engine shuts off and the oil level is according to specification, check to see if the pressure washer is sitting on an angle that forces the oil to shift.

Place on even surface to correct this. If the engine fails to start, there may not be enough oil to deactivate the low oil level switch.

Pump will overheat and may be damaged, or cause damage if allowed to circulate more than 5 minutes



Owner's Manual

Before Operation

NOTE: The engine and pump on your pressure washer will often have improved performance after a break-in period of several hours.

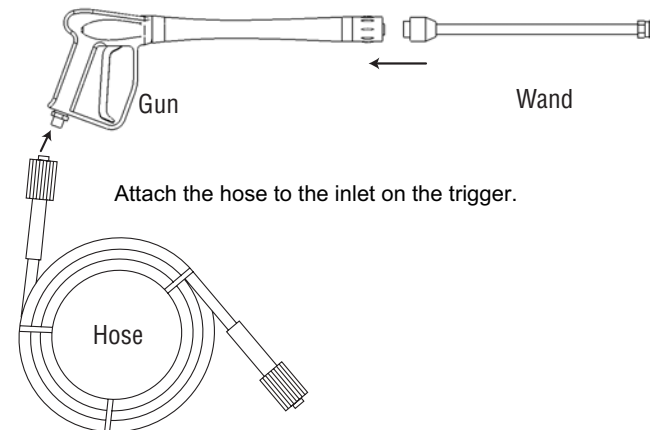
PRE-START PREPERATION

Before starting the pressure washer, check for loose or missing parts and for any damage which may have occurred during shipping.

Assembly & Start-Up

HOSE & GUN ASSEMBLY

NOTE: Align threaded connections carefully to prevent damaging threads during assembly. Tighten connections securely to prevent leaks during operation.



LUBRICATION

Do not attempt to start the pressure washer engine without filling the engine crank case with the proper amount of oil. Your pressure washer has been shipped without oil in the crankcase. Operating the pressure washer without oil will ruin the engine. Use oil that is recommended (10W-30). DO NOT OVERFILL!

FUEL

Fill the tank with unleaded gasoline. Regular gasoline may be used provided a high octane rating is obtained (at least 85 octane).

Gasoline is highly flammable and explosive and you can be burned or seriously injured when refueling if not carefull.



Owner's Manual

Operating Connections

HIGH PRESSURE HOSE

- Attach the high pressure hose to the pressure washer by pulling back on the collar of the quick-connect coupling on the hose and pushing it over the coupling half on the pressure washer outlet.

NOTE: Do not use pressure hose from another manufacturer.

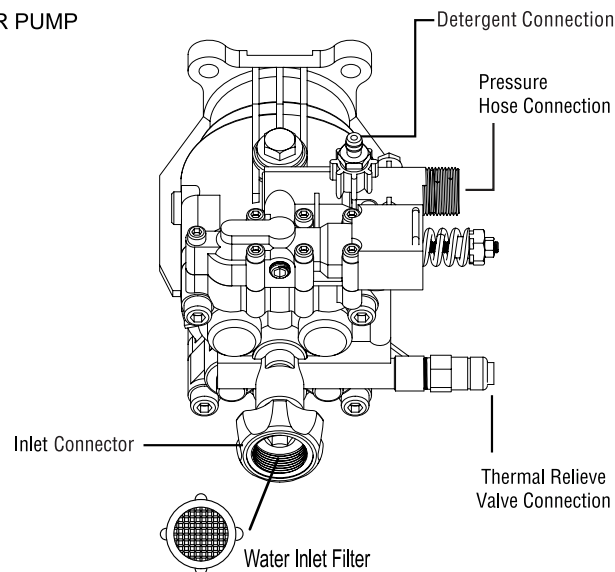
WATER CONNECTION

Before connecting the garden hose to your pressure washer, run water through the garden hose (not supplied) to flush out any foreign matter.

- Attach garden hose quick-connect to the garden hose (see below).
- Insert the water inlet filter into the inlet connector.
- Then attach garden hose connector to the quick-connector inlet on the pressure washer pump. Make sure it locks into place by pulling back on the garden hose quick-connect collar and inserting it into the quick-connect inlet.

NOTE: The water supply must supply a minimum of 4 gpm at 20 PSI, or the pump can be damaged.

PRESSURE WASHER PUMP



Owner's Manual

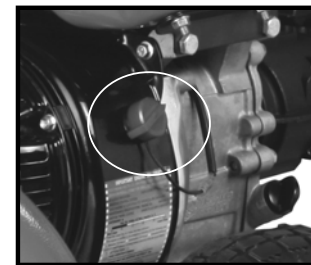
Operating Instructions

Start-up Procedure

1. Make sure water supply is connected and turned on.
2. Release gun safety if locked.
3. To allow air to escape from the hose, squeeze trigger on the gun until there is a steady flow of water coming out from the nozzle.

Starting Engine

1. Check oil and gas.
2. Connect hose and turn on water.
3. Squeeze trigger.
4. Make sure the engine switch is on the ON position (*illustration 1*).
5. Set the fuel valve to open (*illustration 2*).
6. Set choke to CLOSE position (*illustration 3*) & set throttle to slow (*illustration 4*).
7. When starting engine, pull cord slowly until resistance is felt, then pull rapidly.
8. If engine starts and fails to continue running or if increase resistance is felt during starting pull attempts repeat step 3 - 7.



1) ON/OFF Switch



2) Fuel Valve



3) Choke



4) Throttle Control

Owner's Manual

CAUTION

This pressure washer is intended for use only with liquid car wash detergents, developed specifically for pressure washers and with mild soaps. Only use chemicals compatible with the aluminum and brass parts. Powdered soaps may clog the injection system. Always use chemicals according to the manufacturers directions. We assume no responsibility for any damages caused by chemicals injected through this pressure washer.

1. Attach injection tube assembly to the detergent connection on the pump. Assembly instruction(BELOW).
2. Pour the two kinds of detergents into the detergent bottles. It is recommend to have one detergent bottle filled with allpurpose detergent, and the other filled with a more specific cleaning detergent.
3. The indicator on the detergent dial shows the amount and the consumption of detergent Fig A.
4. Remove the high pressure nozzle from the wand and install the black injection nozzle. The solution will automatically mix with the water and discharge through the nozzle.

NOTE: For certain models, if the engine throttle is not in the fast position, the injection of the solution may be decreased or stopped.

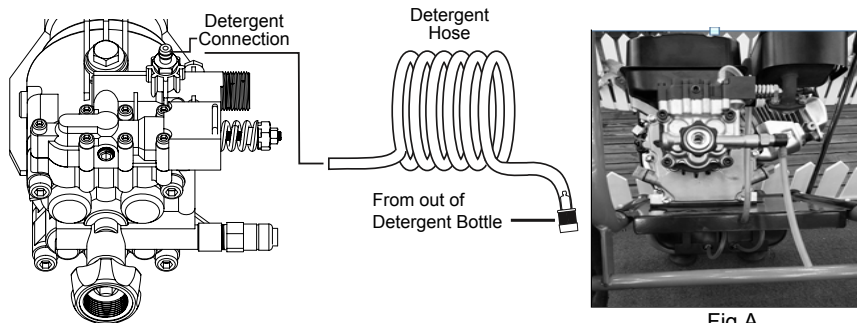


Fig A

CLEANING TECHNIQUES

When cleaning with the pressure washer, many cleaning tasks can be solved with water alone, but for most tasks, it is advantageous to use a detergent. A detergent ensures a quick soaking of the dirt allowing the high pressure water to penetrate and remove the dirt more effectively.

APPLICATION OF SOAP OR DEGREASER

1. Apply the solution to the dry work surface. On a vertical surface, apply horizontally from side to side starting from bottom to avoid streaking.

NOTE: Wetting the surface first is not recommended, it dilutes the detergent and reduces its cleaning effects. Please disconnect the Detergent Hose from the Pump when do not use the detergent, and let the pressure washer run until you no longer notice detergent coming out of the wand. This will prevent detergent from gumming up the wand and reducing pressure for next use.

Owner's Manual

Operation

Avoid working on hot surfaces or in direct sunlight to minimize the chances of the chemical damaging painted surfaces. Damage may occur to painted surfaces if the chemical is allowed to dry on the surface. Hold the nozzle far enough away from surface to prevent damage to the surface.

2. Allow chemical to remain on the surface for a short time before rinsing.
3. Rinse with clean water under high pressure. On a vertical surface, first rinse from the bottom up, then rinse from top down. Hold nozzle 6 to 8 inches from the work surface at a 45° angle using the flat spray as a peeling tool rather than a scrub brush.

APPLICATION OF WAX

1. Immediately after cleaning, apply wax. Place injection tube in container of wax.
2. Apply the wax sparingly in an even layer. Apply to wet surfaces from bottom up for even distribution and to avoid streaking.
3. Remove the suction tube from the wax bottle rinse off the surplus wax.

NOTE: If surplus wax is not removed, a hazy finish may result.

4. Wipe dry to reduce water spotting.

END OF OPERATION

When you have completed use of chemical injection system, remove tube from container. Continue to run in low pressure position and inject clean water through the tube and injection system by placing end of tube in a container of clean water. Continue to run until it is thoroughly cleaned.

Maintenance

CONNECTIONS

Connection on pressure washer hoses, gun and spray wand should be cleaned regularly and lubricated with the manufacturers recommended grease to prevent leakage and damage to the O-ring.

NOZZLE

Clogging of the nozzle causes the pump pressure to be too high, cleaning is immediately required.



A nozzle cleaner must only be used when the spray wand is disconnected from the gun or personal injury may occur.

1. Separate the wand from the gun.

Owner's Manual

Maintenance

2. Clear the nozzle with a small rigid piece of wire such as a paper clip.
3. Flush the nozzle backwards with water.
4. Reconnect the wand to the gun.

Restart the pressure washer and depress the trigger on the spray gun. If the nozzle is still plugged or partially plugged, repeat above instructions 1-4.

If the previous procedure does not clear the nozzle, replace with a new nozzle.

ENGINE MAINTENANCE

During the winter months, rare atmospheric conditions may develop which will cause an icing condition in the carburetor. If this develops, the engine may run rough, lose power and may stall. This temporary condition can be overcome by deflecting some of the hot air from the engine over the carburetor area.

Storage

PUMP STORAGE

If you must store your pressure washer in a location where the temperature is below 32° F, you can minimize the chance of damage to your machine by utilizing the following procedure:

1. Shut off water supply and relieve pressure to the spray gun by depressing the trigger. Disconnect the garden hose from the pressure washer, but leave the high pressure hose connected.
2. Tip the unit on its side with the inlet connection pointing up.
3. Insert a small funnel (to prevent spilling) into the inlet and pour in approximately 1/4 cup of antifreeze.
4. Disconnect spark plug wire.
5. Without connecting garden hose pull the recoil several times to circulate the antifreeze in the pump system.
6. Disconnect spark plug wire.

CAUTION

Prior to starting, thaw out any possible ice from the pressure washer hoses, spray gun and wand.

Owner's Manual

Maintenance

Another method of reducing risks of freeze damage is to drain your pressure washer as follows:

1. Stop the pressure washer and detach supply hose and high pressure hose. Squeeze the trigger of the discharge gun to drain all water from the wand and hose.
2. Restart the pressure washer and let it run briefly about 5 seconds until water no longer discharges from the high pressure outlet.

Engine Storage

When the pressure washer is not being used or is being stored for more than a month follow these instructions:

1. Replenish engine oil to upper level.
2. Drain gasoline from fuel tank, fuel line, fuel valve and carburetor.
3. Pour about one teaspoon of engine oil through the sparkplug hole, pull the recoil starter slowly until you feel increase pressure which indicates the piston is on its compression stroke and leave it in the position. This closes both the intake and exhaust valves to prevent the inside of the cylinder from rusting.
4. Cover the pressure washer and store in a clean, dry place that is well ventilated away from open flame or sparks.

NOTE: The use of a fuel additive, such as STA-BIL, or an equivalent, will minimize the formulation of fuel gum deposits during storage.

Technical Specification

Maximum Inlet Pressure	Up To 90 PSI
Maximum Pressure	3200 PSI
Rated Flow	2.6 GPM
Engine Model	JF210
Displacement	208 cc
RPM	3600 RPM
Fuel Tank	0.95 gallon
Temperature OF Pumped Fluids	Up To 80 °F
Inlet Ports	(2) 1/2 inch BSP
Discharge Ports	(2) 1/2 inch BSP
Weight	81.6 lbs.
Engine Oil	10W-30
Fuel	Unleaded Gas

Owner's Manual

Trouble Shooting

- Engine will not start or stops while operating.
 - Low-oil shutdown: Fill engine with oil
 - Engine switch not in "ON" position: Turn switch "ON"
 - Pressure built up in hose: Squeeze trigger while starting
- Engine is overloaded
 - Nozzle partially blocked: Clean Nozzle
 - Excessive pressure: Shorten the spring coil on the reflux valve
- Pressure increases when gun is locked
 - Bypass valve blocking: Clean the bypass valve
- Engine is running but pump won't build maximum pressure or has irregular pressure
 - Faucet closed: Open faucet
 - Unit has been stored in freezing temp.: Thaw out unit completely
 - Inadequate water supply: Provide a minimum of 4 GPM at 20 PSI
 - Water inlet screen clogged: Clean screen
 - Kink in garden hose: Straighten garden hose
 - Wand nozzle worn or damaged: Replace nozzle
 - Air in pump: Run with gun open & wand removed until steady stream of water is released
 - Adjustable pressure knob not set to maximum position: Set to maximum position
 - Suction or discharge valves clogged or worn out: Clean the suction or discharge valves
 - Bypass valve not operating effectively: Clean the bypass valve
- No intake of chemicals
 - Injection tube not securely inserted into unit: Push firmly into injector
 - Tube cracked or split: Replace tube
 - Wrong nozzle: Switch to low pressure nozzle
 - Injector turned off: Turn collar counter
- Trigger will not move
 - Gun safety lock engaged: Release safety lock

Owner's Manual

Trouble Shooting

- Water in crankcase
 - High humidity: Change oil more frequently
 - Worn seals: Change the oil seals
- Noisy operation
 - Worn bearings: Change the bearings
 - Air mixed with water: Check inlet lines for restrictions and / or proper sizing
- Rough / pulsating, operating with pressure drop
 - Inlet restriction: Check system for stoppages, air leaks, correctly sized inlet plumbing to pump
 - Unloader: Check unloader for proper operation
 - Air mix in water: Check inlet lines for restrictions and or proper sizing
- High crankcase temperatures
 - Wrong grade of oil: Use recommended oil
 - Improper amount of oil in crankcase: Adjust oil to proper amount

Owner's Manual

Limited Warranty

All-Power America warrants to the original purchaser who uses the product in a consumer application (personal, residential or household usage) that all products covered under this warranty are free from defects in material and workmanship for one year from the date of purchase. All products covered by this limited warranty which are used in commercial applications (i.e. income producing) are warranted to be free of defects in material and workmanship for 90 days from the date of original purchase. Products covered under this warranty include air compressors, air tools, service parts, pressure washers and generators.

All-Power America will repair or replace, at All-Power America's sole option, products or components which have failed within the warranty period. Service will be scheduled according to the normal work flow and business hours at the service center location, and the availability of replacement parts. All decisions of All-Power America with regard to this limited warranty shall be final.

This warranty gives you specific legal rights, and you may also have other rights which vary from state to state.

RESPONSIBILITY OF ORIGINAL PURCHASER (initial User):

To process a warranty claim on this product, DO NOT return item to the retailer. The product must be evaluated by an Authorized Warranty Service Center. For the location of the nearest Authorized Warranty Service Center contact the retailer or place of purchase.

Retain original cash registers, sales receipts as proof of purchase for warranty to work.

Use reasonable care in the operation and maintenance of the product as described in the Owner's Manual(s).

Deliver or ship the product to the Authorized Warranty Service Center. Freight costs, if any must be paid by the purchaser.

If the purchaser does not receive satisfactory results from the Authorized Warranty Service Center, the purchaser should contact All-Power America.

Owner's Manual

Limited Warranty (cont'd)

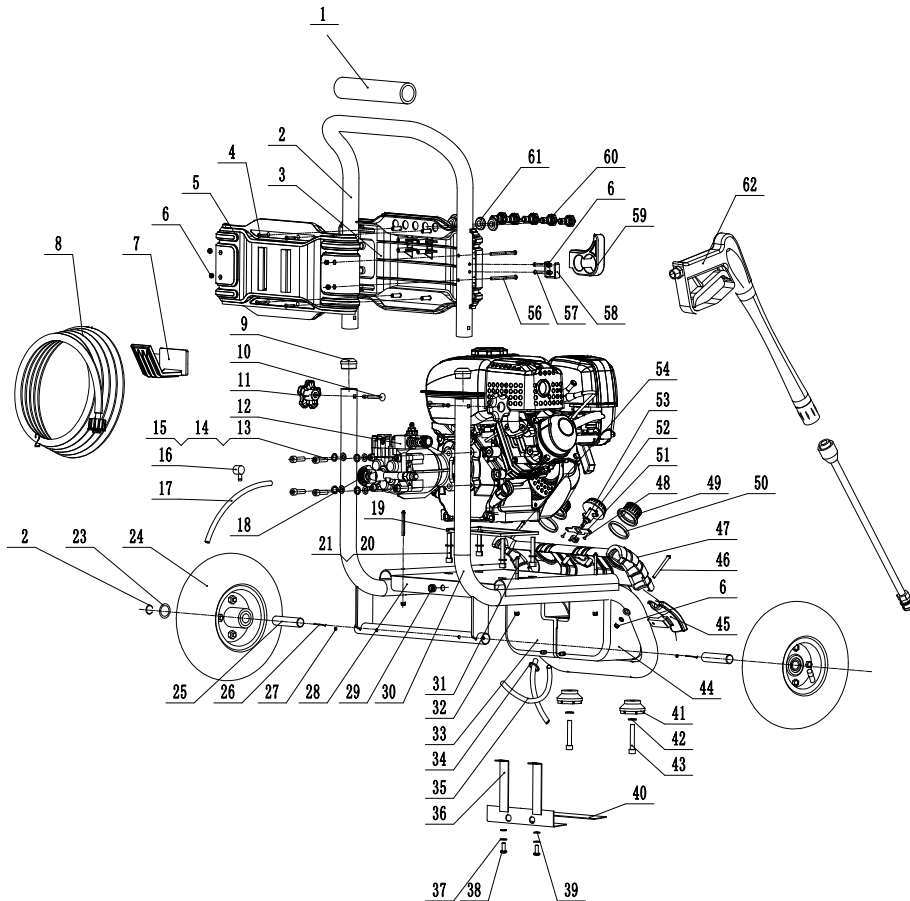
THIS WARRANTY DOES NOT COVER:

- Merchandise sold as reconditioned, used as rental equipment, or floor or display models.
- Merchandise that has become damaged or inoperative because of ordinary wear, misuse, cold, heat, rain, excessive humidity, freeze damage, use of improper chemicals, negligence, accident, failure to operate the product in accordance with the instructions provided in the Owner's Manual(s) supplied with the product, improper maintenance, the use of accessories or attachments not recommended by All-Power America, or unauthorized repair or alterations.
- Repair and transportation costs of merchandise determine not to be defective.
- Costs associated with assembly, required oil, adjustments or other installation and start-up costs.
- Expendable parts or accessories supplied with the product which are expected to become inoperative or unusable after a reasonable period of use.
- Merchandise sold by All-Power America which has been manufactured by and identified as the product of another company, such as gasoline engines. The product manufacturer's warranty, if any, will apply.
- ANY INCIDENTAL, INDIRECT OR CONSEQUENTIAL LOSS, DAMAGE, OR EXPENSE THAT MAY RESULT FROM ANY DEFECTS, FAILURE OR MALFUNCTION OF THE PRODUCT IS NOT COVERED BY THIS WARRANTY. Some states do not allow the exclusion, so it may not apply to you.
- IMPLIED WARRANTIES, INCLUDING THOSE OF MERCHANTABILITY OR FITNESS FOR A PARTICULAR PURPOSE, ARE LIMITED TO ONE YEAR FROM THE DATE OF ORIGINAL PURCHASE. Some states do not allow limitations on how long an implied warranty lasts, so the above limitations may not apply to you.

Distributed by:
JD North America, Corp
www.jdna.com

Owner's Manual

PARTS and PARTS LIST



Owner's Manual

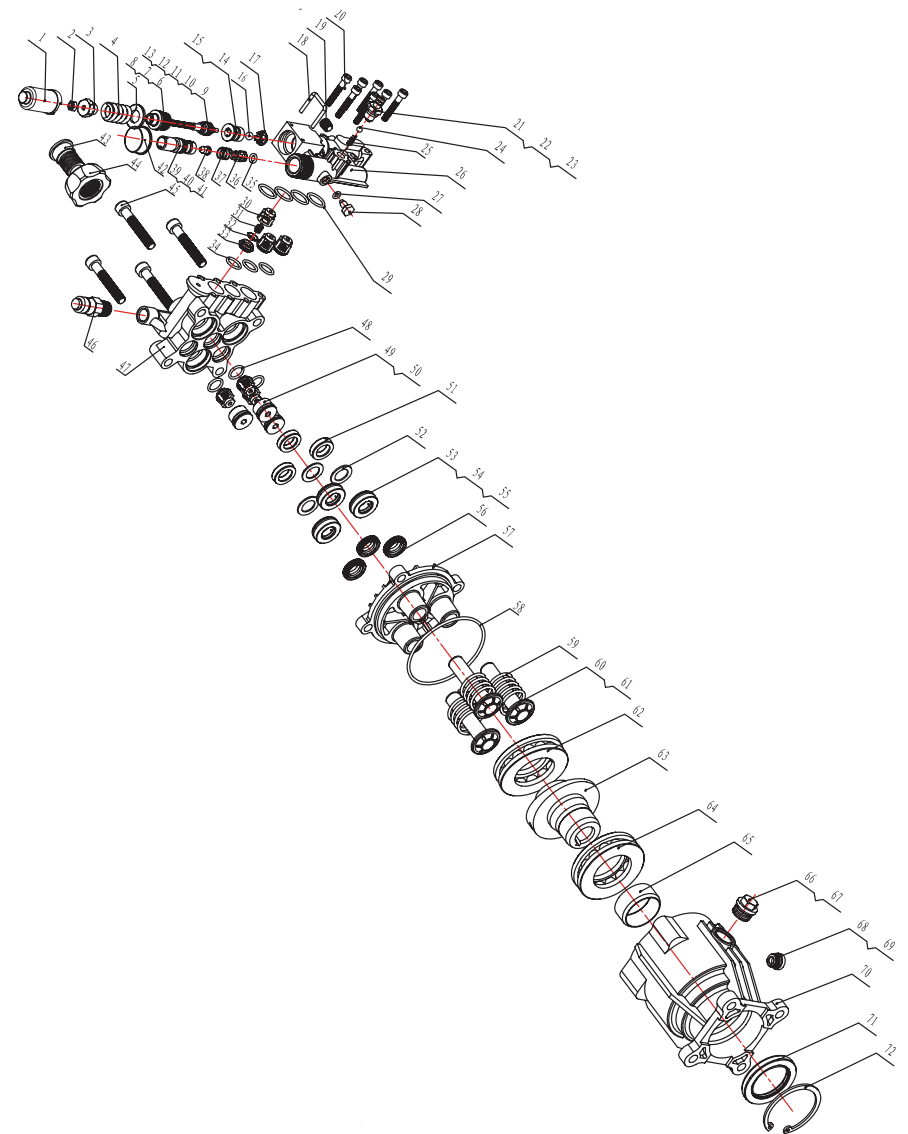
NO	APA Parts NO	DESCRIPTION	QTY
1	APW5119-YG-01	Handle foam	1
2	APW5119-YG-02	Handle	1
3	APW5119-YG-03	Front panel	1
4	APW5119-YG-04	Cross Pan Head Tapping Screw ST4×25	4
5	APW5119-YG-05	Back panel	1
6	APW5119-YG-06	Locknut M5	8
7	APW5119-YG-07	Hose hook	1
8	APW5119-YG-08	Pressure hose	1
9	APW5119-YG-09	plug	2
10	APW5119-YG-10	square neck bolt	2
11	APW5119-YG-11	Knob Assembly	2
12	APW5119-YG-12	pump	1
13	APW5119-YG-13	Inner Hexagon Bolt M8×25	4
14	APW5119-YG-14	Spring Washer	4
15	APW5119-YG-15	Gasket	14
16	APW5119-YG-16	Thermal relief	1
17	APW5119-YG-17	Drain pipe	1
18	APW5119-YG-18	Inlet connector	1
19	APW5119-YG-19	Engine pad	1
20	APW5119-YG-20	Inner Hexagon Bolt M8×45	4
21	APW5119-YG-21	Washer 8	6
22	APW5119-YG-22	Circlip 16	2
23	APW5119-YG-23	Plain washer 16	2
24	APW5119-YG-24	10"Wheel	2
25	APW5119-YG-25	Wheel shaft	2
26	APW5119-YG-26	Spring wire	2
27	APW5119-YG-27	Circlip	2
28	APW5119-YG-28	Plate	1
29	APW5119-YG-29	Wire sleeve	1
30	APW5119-YG-30	Frame	1
31	APW5119-YG-31	Cross Pan Head Screw M6×45	4
32	APW5119-YG-32	Locknut M6	4
33	APW5119-YG-33	Detergent tank (A)	1
34	APW5119-YG-34	Spring lock	5
35	APW5119-YG-35	Injection hose	2
36	APW5119-YG-36	Detergent tank holder	1
37	APW5119-YG-37	Spring gasket 5	2
38	APW5119-YG-38	Cross Pan Head Screw M5×16	2
39	APW5119-YG-39	Washer 5	2
40	APW5119-YG-40	Rubber Pad	1

Owner's Manual

NO	APA Parts NO	DESCRIPTION	QTY
40	APW5119-YG-40	Rubber Pad	1
41	APW5119-YG-41	Rubber foot	2
42	APW5119-YG-42	Rubber foot washer	2
43	APW5119-YG-43	Inner Hexagon Bolt M8×45	2
44	APW5119-YG-44	Detergent tank (B)	1
45	APW5119-YG-45	Gun holster	1
46	APW5119-YG-46	Cross Pan Head Screw M5×50	1
47	APW5119-YG-47	Detergent tank panel	1
48	APW5119-YG-48	Cross Pan Head Tapping Screw ST4×14	2
49	APW5119-YG-49	Detergent bottle gasket	2
50	APW5119-YG-50	Detergent bottle cap	2
51	APW5119-YG-51	Switch fixing plate	1
52	APW5119-YG-52	Detergent bottle switch	1
53	APW5119-YG-53	Switch fixed nut	1
54	APW5119-YG-54	Cross Pan Head Screw M5×42	1
55	APW5119-YG-55	6.5HP Gasoline engine	1
56	APW5119-YG-56	Cross Pan Head Screw M5×65	4
57	APW5119-YG-57	Cross Pan Head Screw M5×40	2
58	APW5119-YG-58	Holder connector	1
59	APW5119-YG-59	Gun holster	1
60	APW5119-YG-60	0° Nozzle (red)	5
61	APW5119-YG-61	Nozzle Pad	5
62	APW5119-YG-62	Gun	1

Owner's Manual

PUMP (G-37A)



Owner's Manual

NO.	APA Parts No.	DESCRIPTION
1	APW5119-P-01	Overflow valve
2	APW5119-P-02	Nut M5
3	APW5119-P-03	Adjusting pressure nut
4	APW5119-P-04	adjusting pressure spring
5	APW5119-P-05	adjusting pressure gasket
6	APW5119-P-06	valve cover
7	APW5119-P-07	O ring 14*1.8
8	APW5119-P-08	O ring 12.4*1.8
9	APW5119-P-09	valve rod assy.
10	APW5119-P-10	open loop 1
11	APW5119-P-11	O ring 6.07*1.8
12	APW5119-P-12	Open loop 2
13	APW5119-P-13	O ring 8.6*1.8
14	APW5119-P-14	Upper cover
15	APW5119-P-15	O ring 9.5*1.8
16	APW5119-P-16	steel ball ϕ 7
17	APW5119-P-17	valve seat
18	APW5119-P-18	pin
19	APW5119-P-19	seal screw
20	APW5119-P-20	inner hexagonal screw M5*30
21	APW5119-P-21	Valve body
22	APW5119-P-22	O ring 4*1.5
23	APW5119-P-23	O ring 8*2
24	APW5119-P-24	steel ball ϕ 5
25	APW5119-P-25	injection spring
26	APW5119-P-26	drain hose
27	APW5119-P-27	O ring 4.5*1.8
28	APW5119-P-28	locating bolt
29	APW5119-P-29	O ring 15*2
30	APW5119-P-30	check valve
31	APW5119-P-31	check valve spring
32	APW5119-P-32	check valve gasket
33	APW5119-P-33	check valve seat
34	APW5119-P-34	O ring 12*2
35	APW5119-P-35	O ring 5*2
36	APW5119-P-36	non- returnedvalve rod

Owner's Manual

NO.	APA Parts No.	DESCRIPTION
37	APW5119-P-37	non-returnedvalve spring
38	APW5119-P-38	copper cover
39	APW5119-P-39	venturi tube
40	APW5119-P-40	O ring 9.3*1.8
41	APW5119-P-41	O ring 8*2
42	APW5119-P-42	outlet cover
43	APW5119-P-43	copper outlet water connector
44	APW5119-P-44	inner hexagonal screw M8*50
45	APW5119-P-45	Inlet water connector
46	APW5119-P-46	thermal relief cap
47	APW5119-P-47	pump cover
48	APW5119-P-48	O ring 12*2
49	APW5119-P-49	O ring 15*2
50	APW5119-P-50	check valve nut
51	APW5119-P-51	Y seal
52	APW5119-P-52	seal ring
53	APW5119-P-53	leading cover
54	APW5119-P-54	O ring 14*2.8
55	APW5119-P-55	O ring 23*2.8
56	APW5119-P-56	piston oil seal
57	APW5119-P-57	pump seat
58	APW5119-P-58	O ring 75*2.8
59	APW5119-P-59	piston spring
60	APW5119-P-60	piston
61	APW5119-P-61	piston spring seat
62	APW5119-P-62	bearing (Nether)
63	APW5119-P-63	cam
64	APW5119-P-64	beaing (upper)
65	APW5119-P-65	housing
66	APW5119-P-66	nut
67	APW5119-P-67	O ring 15.4*1.8
68	APW5119-P-68	Alu oil side window
69	APW5119-P-69	O ring 9.3*1.8
70	APW5119-P-70	diving box
71	APW5119-P-71	seal
72	APW5119-P-72	spring lock ring

